
Comfort-Cire®

Century®

Design Guide

HBH/V Large Series



Table of Contents

HBH/V Compact High Capacity Series



	Unit Features	4
	iGate® Communicating Controls	5
	Selection Procedure	6
	HBH/V Series Nomenclature	8
	Performance Data – AHRI/ASHRAE/ISO 13256-1	9
	Performance Data – Selection Notes	10
	Performance Data – HBH/V072	11
	Performance Data – HBH/V096	12
	Performance Data – HBH/V120	13
	Performance Data – HBV160	14
	Performance Data – HBV192	15
	Performance Data – HBV240	16
	Performance Data – HBV300	17
	Performance Data – Full Load 072 VFD	18
	Performance Data – Part Load 072 VFD	19
	Performance Data – Full Load 096 VFD	20
	Performance Data – Part Load 096 VFD	21
	Performance Data – Full Load 120 VFD	22
	Performance Data – Part Load 120 VFD	23
	Performance Data – Full Load 160 VFD	24
	Performance Data – Part Load 160 VFD	25
	Performance Data – Full Load 192 VFD	26
	Performance Data – Part Load 192 VFD	27
	Performance Data – Full Load 240 VFD	28
	Performance Data – Part Load 240 VFD	29
	Performance Data – Full Load 300 VFD	30
	Performance Data – Part Load 300 VFD	31
	HBH/V Performance Data – Correction Tables	32
	Antifreeze Correction Table	33
	Blower Performance Data – HBH/V072 Standard Unit	34
	Blower Performance Data – HBH/V096 Standard Unit	35
	Blower Performance Data – HBH/V120 Standard Unit	37
	Blower Performance Data – HBV160 Standard Unit	39
	Blower Performance Data – HBV192 Standard Unit	40
	Blower Performance Data – HBV240 Standard Unit	41
	Blower Performance Data – HBV300 Standard Unit	43

Document page number is shown next to part number (e.g. LC517 - 3 = page 3). Since not all pages are typically used in the submittals process, the page number in the lower right corner can still be used (page ____ of ____).

Table of Contents

HBH/V Compact High Capacity Series



Blower Performance Data – 072 VFD	44
Blower Performance Data – 096 VFD	45
Blower Performance Data – 120 VFD	46
Blower Performance Data – 160 VFD	48
Blower Performance Data – 192 VFD	49
Blower Performance Data – 240 VFD	50
Blower Performance Data – 300 VFD	51
Waterside Economizer (WSE) Data	52
Waterside Economizer (WSE) Correction Tables	55
HBH Physical Data	57
HBH072-120 Dimensional Data	58
HBH072-120 w/WSE Dimensional Data	59
HBV Physical Data	60
HBV072-120 Dimensional Data	61
HBV072-120 w/WSE Dimensional Data	62
HBV160-240 Dimensional Data	63
HBV160-240 w/WSE Dimensional Data	64
HBV300 Dimensional Data	65
HBV300 w/WSE Dimensional Data	66
Sound Data	67
HBH/V Electrical Data – Standard	69
HBH/V Electrical Data – Dual Point Power	70
HBH/V Electrical Data – Standard VFD	71
HBH/V Electrical Data – Dual Point Power VFD	71
Blower Motor Variable Frequency Drive (VFD) Controls (Optional)	72
HBH/V Series Wiring Diagram Matrix	74
Typical Wiring Diagram – Three Phase HBH/V072-300 w/CXM Controller	75
Typical Wiring Diagram – Three Phase HBH/V072-300 w/DXM	76
Typical Wiring Diagram for MPC w/CXM and DXM	77
Typical Wiring Diagram – for LON w/CXM and DXM	78
Typical Wiring Diagram – HBH/V072-120 w/WSE	79
Typical Wiring Diagram – HBH/V160-300 w/WSE	80
Typical Wiring Diagram – WSE Control	81
Typical Wiring Diagram – HBH072-120 w/VFD	82
Typical Wiring Diagram – HBV160-360 w/VFD	83
Engineering Specifications	84
Performance Sheet	94
Revision History	95

Unit Features

HBH/V LARGE SERIES

The award winning HB Series raises the bar for water-source heat pump efficiencies, features and application flexibility. Not only does the HB exceed ASHRAE 90.1 efficiencies, but it also uses EarthPure® HFC-410A zero ozone depletion refrigerant, making it an extremely environmentally-friendly option. HB is eligible for additional LEED (Leadership in Energy and Environmental Design) points because of the "green" technology design.

Available in sizes 6 tons (21.1 kW) through 25 tons (87.9 kW) with multiple cabinet configurations, the HB Series offers a wide range of units for most any installation. The HB Series has an extended range refrigerant circuit, capable of ground loop (geothermal) applications (may require optional extended range insulation), ground water (geothermal) applications, as well as water loop (boiler-tower) applications. Standard features are many. Microprocessor controls, galvanized steel cabinet, galvanized steel with epoxy powder coat painted drain pan and TXV refrigerant metering device are just some of the features of the flexible HB Series.

Comfort-Aire/Century's exclusive double isolation compressor mounting system makes the HB one of the quietest units on the market. Compressors are mounted on specially engineered sound-tested EPDM grommets to a heavy gauge mounting plate, which is further isolated from the cabinet base with rubber grommets for maximized vibration and sound attenuation. The easy access control box and large access panels make installing and maintaining the unit easier than other water-source heat pumps currently in production.

Options such as coated air coil, DDC controls, and dual point power allow customized design solutions. Optional variable frequency fan motor controls or blower motor/sheave drive packages expand the operating range and help overcome some of the challenges associated with ductwork for retrofit installations. A cupro-nickel water-coil and sound absorbing UltraQuiet package are options that make a great unit even better. **Optional factory installed Waterside Economizer (WSE) uses cool loop water for "free" cooling. WSE option meets IECC section C403.3.1 and is a requirement in many states. WSE requires heat pump thermostat with two stages of cooling and one stage of heating.**

The HB Series Water-Source Heat Pumps are designed to meet the challenges of today's HVAC demands with one of the most innovative products available on the market.

UNIT FEATURES

- Horizontal sizes 072 (6 Tons, 21.1 kW), 096 (8 Tons, 28.1 kW), 120 (10 Tons, 35.2 kW)
- Vertical sizes 072 (6 Tons, 21.1 kW), 096 (8 Tons, 28.1 kW), 120 (10 Tons, 35.2 kW), 160 (13.3 Tons, 46.9 kW), 192 (16 Tons, 56.3 kW), 240 (20 Tons, 70.3 kW), 300 (25 Tons, 87.9 kW)
- Horizontal unit configuration can be ordered with left or right return air and straight or back supply air discharge. Discharge is field convertible. Field conversion uses all existing parts including panels and belts
- Vertical configuration can be ordered with front or back return and top, front, or back discharge.
- Electric power can enter from either side of front
- Water can be connected to either side
- Copeland scroll compressors
- Dual refrigeration circuits (All Models)
- Exceeds ASHRAE 90.1 efficiencies
- Galvanized steel construction
- Insulated divider and separate compressor/air handler compartments
- TXV metering device
- Extended range 20 to 120°F (-6.7 to 48.9°C) operation (may require optional extended range insulation)
- Hanger brackets standard for horizontal units
- Premium duty motor that is VFD compatible

AVAILABLE OPTIONS

- Variable Frequency Drive (VFD) and stand alone controls for single zone VAV capability, Requires DXM2 controls
- Blower motor/sheave drive packages
- LonWorks, BACnet, Modbus and Johnson N2 compatibility options for DDC controls
- Cupro-nickel water-coil
- Sound absorbing UltraQuiet package
- Coated air coil
- Dual point power
- Waterside Economizer (WSE): requires DXM2 and HP thermostat with two stages of cooling.

iGate® Communicating Controls

iGate® Information gateway to monitor, control and diagnose your system

HBH/V Large Series is equipped with industry-first, iGate® – Information Gateway – 2-way communicating system that allows users to interact with their water-source system in plain English AND delivers improved reliability and efficiency by precisely controlling smart variable speed components.

Monitor/Configure – Installers can configure from the iGate® communicating thermostat or configuration/diagnostic tool, including: Air flow, loop delta T, water-flow option configuration, unit configuration, accessory configuration, and demand reduction (optional, to limit unit operation during peak times). Users can look up the current system status: temperature sensor readings and operational status of the blower.

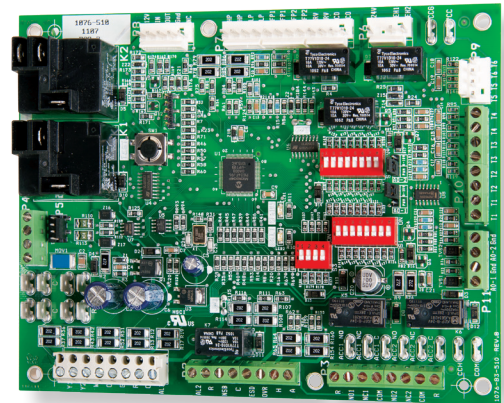
Precise Control – The new DXM2 board enables intelligent, 2-way communication between the DXM2 board and smart components like the communicating thermostat, VFD fan motor controls, and fan motor. The Intelligent DXM2 board uses information received from the smart components and sensors to precisely control unit operation to deliver higher efficiency, reliability and increased comfort.

Diagnostics – iGate® takes diagnosing water source heat pump units to a next level of simplicity, by providing a dashboard of system and fault information, in plain English, on the iGate thermostat or service tool.

iGate® Service Warning warns the occupant of a fault and displays fault description, possible causes and current system status (temperature readings, fan RPM and water flow status) which may be reported to service personnel.

In iGate® Service Mode, the service personnel can access fault description, possible causes and most importantly, the conditions (temp, flow, i/o conditions, configuration) at the time of the fault. Manual Operation mode allows the service personnel to manually command operation for any of the thermostat outputs, blower speed, to help troubleshoot specific components.

With iGate® communicating system, users and contractors have a gateway to system information never before available and exclusive to Comfort-Aire/Century products.



AIRFLOW SELECTION	
HEAT STAGE 1	600
HEAT STAGE 2	750
AUXILIARY HEAT	850
EMERGENCY HEAT	850
COOL STAGE 1	525
COOL STAGE 2	700
COOL DEHUMID 1	425
COOL DEHUMID 2	550
CONTINUOUS FAN	350
HEAT OFF DELAY	60
COOL OFF DELAY	30
CFM	
◀ PREVIOUS	NEXT ▶

POSSIBLE FAULT CAUSES	
LOW WATER COIL TEMP	
LOW WATER TEMP - HTG	
LOW WATER FLOW - HTG	
LOW REFRIG CHARGE - HTG	
INCORRECT LT1 SETTING	
BAD LT1 THERMISTOR	
◀ PREVIOUS	

FAULT TEMPERATURE CONDITIONS	
LT1 LOW WATER TEMP	
HEAT 1 11:11 AM 11/14	
LT1 TEMP	28.1
LT2 TEMP	97.3
HOT WATER EWT	121.5
COMP DISCHARGE	157.7
LEAVING AIR	92.7
LEAVING WATER	34.9
ENTERING WATER	42.1
CONTROL VOLTAGE	26.4
◀ PREVIOUS	

Selection Procedure

Reference Calculations

Heating	Cooling	
$LWT = EWT - \frac{HE}{GPM \times 500}$	$LWT = EWT + \frac{HR}{GPM \times 500}$	$LC = TC - SC$
$LAT = EAT + \frac{HC}{CFM \times 1.08}$	$LAT (DB) = EAT (DB) - \frac{SC}{CFM \times 1.08}$	$S/T = \frac{SC}{TC}$

Legend and Glossary of Abbreviations

BTUH = BTU(British Thermal Unit) per hour	HWC = hot water generator (desuperheater) capacity, Mbtuh
CFM = airflow, cubic feet/minute	FPT = female pipe thread
COP = coefficient of performance = BTUH output/BTUH input	KW = total power unit input, kilowatts
DB = dry bulb temperature (°F)	LAT = leaving air temperature, °F
EAT = entering air temperature, Fahrenheit (dry bulb/wet bulb)	LC = latent cooling capacity, BTUH
EER = energy efficiency ratio = BTUH output/Watt input	LWT = leaving water temperature, °F
MPT = male pipe thread	MBTUH = 1000 BTU per hour
ESP = external static pressure (inches w.g.)	S/T = sensible to total cooling ratio
EWT = entering water temperature	SC = sensible cooling capacity, BTUH
GPM = water flow in U.S. gallons/minute	TC = total cooling capacity, BTUH
HE = total heat of extraction, BTUH	WB = wet bulb temperature (°F)
HC = air heating capacity, BTUH	WPD = waterside pressure drop (psi & ft. of hd.)
HR = total heat of rejection, BTUH	

Conversion Table - to convert inch-pound (English) to S-I (Metric)

Air Flow	Water Flow	Ext Static Pressure	Water Pressure Drop
Airflow (L/s) = CFM x 0.472	Water Flow (L/s) = gpm x 0.0631	ESP (Pa) = ESP (in of wg) x 249	PD (kPa) = PD (ft of hd) x 2.99

Selection Procedure

- Step 1** Determine the actual heating and cooling loads at the desired dry bulb and wet bulb conditions.
- Step 2** Obtain the following design parameters: Entering water temperature, water flow rate in GPM, air flow in CFM, water flow pressure drop and design wet and dry bulb temperatures. Air flow CFM should be between 300 and 450 CFM per ton. Unit water pressure drop should be kept as close as possible to each other to make water balancing easier. Go to the appropriate tables and find the proper indicated water flow and water temperature.
- Step 3** Select a unit based on total and sensible cooling conditions. Select a unit which is closest to the actual cooling load.
- Step 4** Use data from performance tables at the design water flow and water temperature. Read the total and sensible cooling capacities (Note: interpolation is permissible, extrapolation is not).
- Step 5** Read the heating capacity. If it exceeds the design criteria it is acceptable. It is quite normal for Water-Source Heat Pumps to be selected on cooling capacity only since the heating output is usually greater than the cooling capacity.
- Step 6** Determine the correction factors associated with the variable factors of dry bulb and wet bulb (page 14).
- Corrected Total Cooling =
tabulated total cooling x wet bulb correction.
- Corrected Sensible Cooling =
tabulated sensible cooling x wet/dry bulb correction.
- Step 7** Determine the correction factor associated with antifreeze in system loop. If heating EWT is 50°F or below you may have to use antifreeze. Calculate leaving water temperature per performance data selection notes (page 18). If antifreeze is required, use correction table for correcting total and sensible capacities.
- Step 8** Compare the corrected capacities to the load requirements. Normally if the capacities are within 10% of the loads, the equipment is acceptable. It is better to undersize than oversize, as undersizing improves humidity control, reduces sound levels and extends the life of the equipment.
- Step 9** When completed, calculate water temperature rise and assess the selection. If the units selected are not within 10% of the load calculations, then review what effect changing the GPM, water temperature and/or air flow and air temperature would have on the corrected capacities. If the desired capacity cannot be achieved, select the next larger or smaller unit and repeat the procedure. Remember, when in doubt, undersize slightly for best performance.

Example Equipment Selection For Cooling

Step 1 Load Determination:

Assume you have determined that the appropriate cooling load at the desired dry bulb 80°F and wet bulb 65°F conditions is as follows:

Total Cooling.....	90,500 BTUH
Sensible Cooling.....	73,300 BTUH
Entering Air Temp.....	80°F Dry Bulb / 65°F Wet Bulb

Step 2 Design Conditions:

Similarly, you have also obtained the following design parameters:

Entering Water Temp (Cooling).....	90°F
Entering Water Temp (Heating).....	60°F
Water Flow (Based upon 12°F rise in temp.).....	18 GPM
Air Flow.....	2,800 CFM

Step 3, 4 & 5 HP Selection:

After making your preliminary selection (HBH096), we enter the data from tables at design water flow and water temperature and read Total Cooling, Sens. Cooling and Heat of Rej. capacities:

Total Cooling.....	93,200 BTUH
Sensible Cooling.....	70,390 BTUH
Heat of Rejection.....	120,100 BTUH
Airflow.....	3,200 CFM

Step 6, 7 & 8 Entering Air, Airflow and Antifreeze Corrections:

Next, we determine our correction factors.

$$\text{Airflow } 2800 \div 3200 = 88\% \qquad \text{Antifreeze - None}$$

	Table	Ent Air	Air Flow	Corrected
Corrected Total Cooling =	93,200	x .977	x .976	x 1 = 88,871
Corrected Sens Cooling =	70,390	x 1.088	x .933	x 1 = 71,453
Corrected Heat of Rej. =	120,100	x .998	x .976	= 116,983

Step 9 Water Temperature Rise Calculation & Assessment:

$$\text{Rise} = \text{Heat of Reject} \div (\text{GPM} \times 500)$$

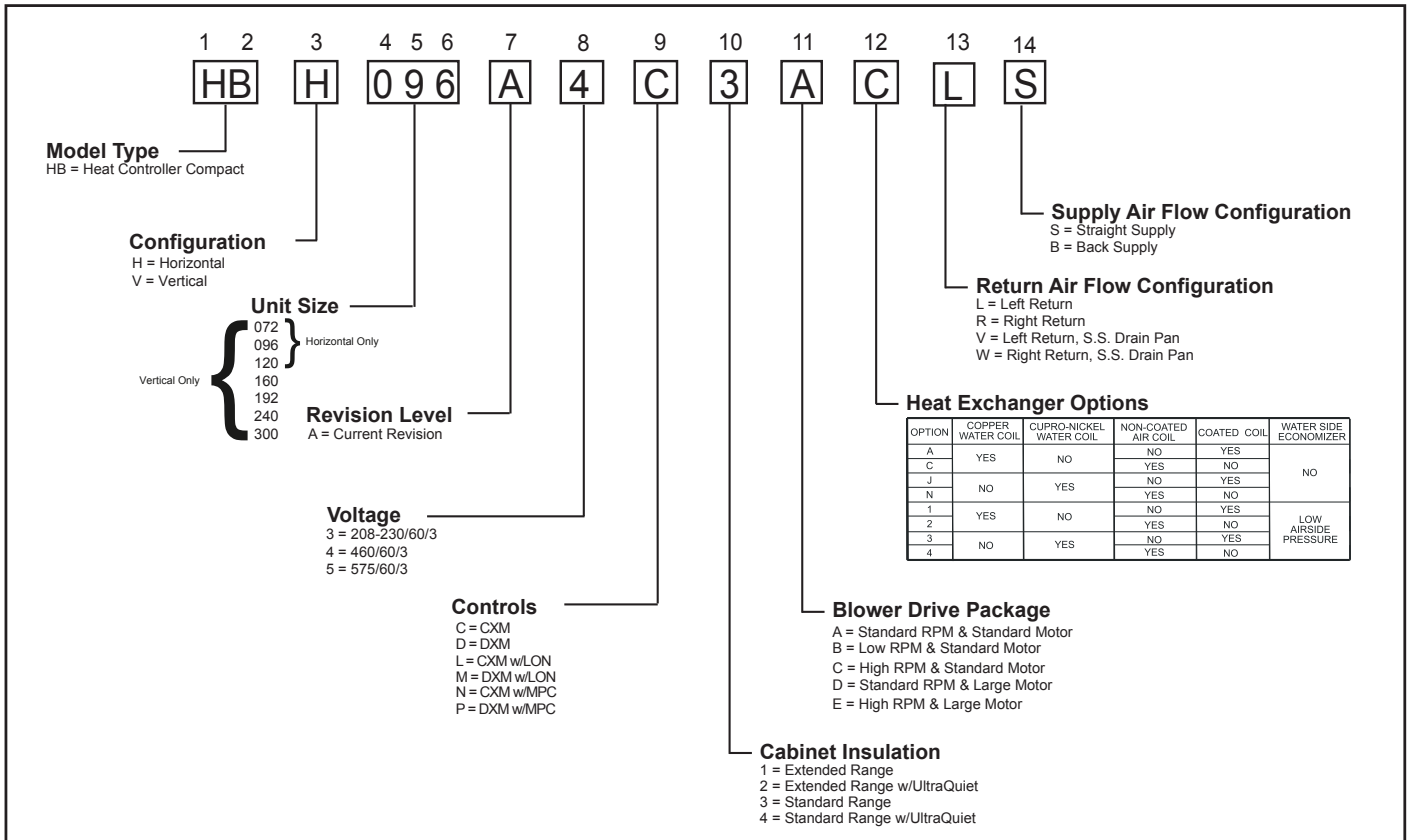
$$\text{Actual Temperature Rise } 116,983 \div 9,000 = 13.0^\circ\text{F}$$

When we compare the Corrected Total Cooling and Corrected Sensible Cooling figures with our load requirements stated in Step 1, we discover that our selection is within +/- 10% of our sensible load requirement. Furthermore, we see that our Corrected Total Cooling figure is slightly undersized as recommended, when compared to the actual indicated load.

Alternate Step 7: If your EWT for heating is 40°F then system requires antifreeze. If a solution of 15% Propylene Glycol is required, then:

$$\begin{aligned} \text{Corrected Total Cooling} &= 88,871 \times .986 = 87,626 \\ \text{Corrected Sens Cooling} &= 71,453 \times .986 = 70,452 \end{aligned}$$

HBH/V Series Nomenclature



Performance Data – AHRI/ASHRAE/ISO 13256-1

ASHRAE/AHRI/ISO 13256-1. English (I-P) Units

Model	Water Loop Heat Pump				Ground Water Heat Pump				Ground Loop Heat Pump			
	Cooling 86°F		Heating 68°F		Cooling 59°F		Heating 50°F		Cooling 77°F		Heating 32°F	
	Capacity Btuh	EER Btuh/W	Capacity Btuh	COP	Capacity Btuh	EER Btuh/W	Capacity Btuh	COP	Capacity Btuh	EER Btuh/W	Capacity Btuh	COP
HBH/V072	69,000	13.3	92,500	5.0	78,500	19.7	75,500	4.4	71,000	14.6	58,000	3.5
HBH/V096	95,000	13.7	123,000	5.0	104,500	20.0	101,000	4.4	98,000	15.2	77,000	3.6
HBH/V120	119,000	13.3	160,000	4.6	134,000	19.3	132,500	4.0	122,500	14.5	103,000	3.3
HBV160	157,000	14.2	207,000	4.9	172,000	19.6	168,000	4.4	162,000	15.2	125,000	3.5
HBV192	191,500	14.3	243,000	5.1	211,000	19.5	196,500	4.5	199,000	15.8	149,000	3.7
HBV240	233,000	13.9	318,000	5.0	263,500	19.2	260,500	4.4	240,000	14.8	198,500	3.5
HBV300	300,000	13.5	395,000	4.8	341,500	18.7	321,500	4.3	310,000	14.5	240,000	3.4

Cooling capacities based upon 80.6°F DB, 66.2°F WB entering air temperature.

Heating capacities based upon 68°F DB, 59°F WB entering air temperature.

All ratings based upon operation at lower voltage of dual voltage rated models.

All HBH/V072 ratings @ 2400CFM w/20GPM. Sheave setting for AHRI is 2.5 turns open.

All HBH/V096 ratings @ 3200CFM w/24GPM. Sheave setting for AHRI is 3.0 turns open.

All HBH/V120 ratings @ 4000CFM w/30GPM. Sheave setting for AHRI is 3.0 turns open.

Full and Part Load 60HZ Ratings w/VFD – ASHRAE, ARI/ISO 13256-1. English (IP) Units

Model	Water Loop Heat Pump				Ground Water Heat Pump				Ground Loop Heat Pump			
	Cooling 86 °F		Heating 68 °F		Cooling 59 °F		Heating 50 °F		Cooling 77 °F		Heating 32 °F	
	Capacity BTUH	EER BTUH/W	Capacity BTUH	COP	Capacity BTUH	EER BTUH/W	Capacity BTUH	COP	Capacity BTUH	EER BTUH/W	Capacity BTUH	COP
HBH/V072 - Part	35,000	14.7	46,000	5.4	40,000	22.5	37,000	4.6	37,500	18.5	31,500	4.1
HBH/V072 - Full	69,000	14.5	92,500	5.2	78,500	22.0	75,500	4.6	71,000	15.6	56,000	3.6
HBH/V096 - Part	47,500	14.5	59,500	5.1	52,300	20.7	48,500	4.3	52,000	18.2	42,000	3.8
HBH/V096 - Full	95,000	13.8	123,000	5.0	105,000	20.4	101,000	4.4	98,000	15.4	77,000	3.6
HBH/V120 - Part	60,000	13.8	78,500	4.7	67,500	19.7	64,500	4.0	63,000	16.6	53,800	3.5
HBH/V120 - Full	119,000	13.3	160,000	4.6	134,000	19.3	132,500	4.0	122,500	14.7	103,000	3.3
HBV160 - Part	78,500	14.4	98,500	4.9	86,500	19.7	84,000	4.4	83,200	17.3	70,300	3.9
HBV160 - Full	157,000	14.3	207,000	4.9	172,000	19.6	168,000	4.4	162,000	15.6	125,000	3.6
HBV192 - Part	95,800	14.5	118,500	5.1	106,500	19.7	96,500	4.5	102,700	17.3	83,000	3.9
HBV192 - Full	191,500	14.3	243,000	5.1	211,000	19.5	196,500	4.5	199,000	15.8	149,000	3.7
HBV240 - Part	117,000	14.1	157,000	5.1	132,900	19.6	128,000	4.4	127,500	17.3	111,000	3.8
HBV240 - Full	233,000	13.9	318,000	5.0	263,500	19.2	260,500	4.4	240,000	14.9	198,500	3.5
HBV300 - Part	153,000	14.2	192,300	4.9	171,000	19.2	156,500	4.3	164,000	16.9	137,400	3.8
HBV300 - Full	300,000	13.5	395,000	4.8	341,500	18.7	321,500	4.3	310,000	14.5	240,000	3.4

ASHRAE/AHRI/ISO 13256-1. Metric (S-I) Units

Model	Water Loop Heat Pump				Ground Water Heat Pump				Ground Loop Heat Pump			
	Cooling 30°C		Heating 2°C		Cooling 15°C		Heating 10°C		Cooling 25°C		Heating 0°C	
	Capacity kW	EER W/W	Capacity kW	COP	Capacity kW	EER W/W	Capacity kW	COP	Capacity kW	EER W/W	Capacity kW	COP
HBH/V072	20.22	3.9	27.11	5.0	23.01	5.8	22.13	4.4	20.80	4.3	17.00	3.5
HBH/V096	27.84	4.0	36.04	5.0	30.63	5.9	29.60	4.4	28.72	4.5	22.57	3.6
HBH/V120	34.88	3.9	46.89	4.6	39.27	5.7	38.83	4.0	35.90	4.2	30.19	3.3
HBV160	46.01	4.2	60.668	4.9	50.41	5.7	49.24	4.4	47.48	4.5	36.64	3.5
HBV192	56.13	4.2	71.22	5.1	61.84	5.7	57.59	4.5	58.32	4.6	43.67	3.7
HBV240	68.29	4.1	93.20	5.0	77.23	5.6	76.35	4.4	70.34	4.3	58.18	3.5
HBV300	87.93	4.0	115.77	4.8	100.09	5.5	95.23	4.3	90.86	4.2	70.34	3.4

Cooling capacities based upon 27°C DB, 19°C WB entering air temperature.

Heating capacities based upon 20°C DB, 15°C WB entering air temperature.

All ratings based upon operation at lower voltage of dual voltage rated models.

All HBH/V072 ratings @ 1133 l/s w/1.26 l/s. Sheave setting for AHRI is 2.5 turns open.

All HBH/V096 ratings @ 1510 l/s w/1.51 l/s. Sheave setting for AHRI is 3.0 turns open.

All HBH/V120 ratings @ 1888 l/s w/1.89 l/s. Sheave setting for AHRI is 3.0 turns open.

Performance Data – Selection Notes

For operation in the shaded area when water is used in lieu of an antifreeze solution, the LWT (Leaving Water Temperature) must be calculated. Flow must be maintained to a level such that the LWT is maintained above 42°F [5.6°C] when the JW3 jumper is not clipped (see example below). Otherwise, appropriate levels of a proper antifreeze solution should be used in systems with leaving water temperatures of 42°F [5.6°C] or below and the JW3 jumper should be clipped. This is due to the potential of the refrigerant temperature being as low as 32°F [0°C] with 40°F [4.4°C] LWT, which may lead to a nuisance cutout due to the activation of the Low Temperature Protection. JW3 should never be clipped for standard range equipment or systems without antifreeze.

Example:

At 50°F EWT (Entering Water Temperature) and 1.5 gpm/ton, a 8 ton unit has a HE of 72,200 Btuh.

To calculate LWT, rearrange the formula for HE as follows:

HE = TD x GPM x 500, where HE = Heat of Extraction (Btuh);
 TD = temperature difference (EWT - LWT) and GPM = U.S. Gallons per Minute.

$$TD = HE / (GPM \times 500)$$

$$TD = 72,200 / (12 \times 500)$$

$$TD = 12^\circ\text{F}$$

$$\text{LWT} = \text{EWT} - \text{TD}$$

$$\text{LWT} = 50 - 12 = 38^\circ\text{F} - \text{antifreeze must be used}$$

In this example, a higher flow rate will be required for EWTs at or below 50°F without antifreeze.

HBH/V096

WATER/BRINE				Heating - EAT 70°F				
EWT °F	FLOW gpm	PD psi	PD ft.	HC	kW	HE	LAT	COP
50	12.0	1.7	4.0	96.7	7.17	72.2	95.9	4.0
	18.0	4.5	10.3	101.9	7.27	77.1	97.4	4.1
	24.0	7.9	18.2	104.7	7.32	79.8	98.2	4.2

Performance Data – HBH/V072

2,400 CFM Nominal Airflow Heating & Cooling

Performance capacities shown in thousands of Btu/h

WATER/BRINE				Cooling - EAT 80/67°F					Heating - EAT 70°F				
EWT °F	Flow GPM	PD PSI	PD FT	TC	SC	kW	HR	EER	HC	kW	HE	LAT	COP
20	20.0	6.8	15.8	Operation not recommended					49.5	5.0	32.5	87.1	2.9
30	10.0	1.2	2.7	82.3	56.8	3.6	94.5	23.0	54.7	5.0	37.5	89.0	3.2
	15.0	3.3	7.7	81.1	55.8	3.4	92.8	23.6	56.8	5.1	39.6	89.9	3.3
	20.0	6.2	14.3	80.2	55.1	3.4	91.7	23.8	58.0	5.1	40.7	90.3	3.4
40	10.0	1.0	2.2	82.4	57.4	3.9	95.6	21.2	63.2	5.1	45.6	92.3	3.6
	15.0	3.0	7.0	82.6	57.1	3.7	95.1	22.4	66.1	5.2	48.4	93.4	3.7
	20.0	5.6	13.0	82.4	56.8	3.6	94.6	22.9	67.7	5.2	50.0	94.1	3.8
50	10.0	0.9	2.0	80.7	57.2	4.2	95.1	19.0	72.3	5.3	54.4	95.8	4.0
	15.0	2.8	6.5	81.9	57.4	4.0	95.6	20.5	76.0	5.3	57.8	97.2	4.2
	20.0	5.3	12.2	82.3	57.4	3.9	95.6	21.1	78.0	5.4	59.7	98.0	4.3
60	10.0	0.5	1.2	77.7	56.3	4.7	93.6	16.7	81.8	5.4	63.3	99.5	4.4
	15.0	2.2	5.1	79.7	56.9	4.4	94.7	18.2	86.0	5.5	67.2	101.1	4.6
	20.0	4.4	10.1	80.6	57.2	4.3	95.1	18.9	88.3	5.5	69.4	102.0	4.7
70	10.0	0.5	1.1	73.9	54.9	5.2	91.4	14.3	91.1	5.6	72.0	103.1	4.8
	15.0	2.1	4.8	76.3	55.8	4.8	92.8	15.8	95.6	5.7	76.3	104.8	4.9
	20.0	4.2	9.6	77.5	56.2	4.7	93.5	16.5	98.0	5.7	78.5	105.7	5.0
80	10.0	0.4	0.9	69.4	53.1	5.7	88.9	12.2	99.8	5.8	80.2	106.4	5.1
	15.0	1.9	4.5	72.2	54.2	5.4	90.5	13.4	104.4	5.9	84.4	108.2	5.2
	20.0	3.9	9.1	73.5	54.7	5.2	91.2	14.1	106.7	5.9	86.5	109.1	5.3
85	10.0	0.4	0.8	67.1	52.1	6.0	87.7	11.2	103.7	5.8	83.8	107.9	5.2
	15.0	1.9	4.4	69.8	53.3	5.7	89.2	12.4	108.0	5.9	87.8	109.6	5.3
	20.0	3.9	8.9	71.2	53.8	5.5	89.9	13.0	110.1	6.0	89.7	110.4	5.4
90	10.0	0.3	0.8	64.8	51.2	6.4	86.4	10.2	107.6	5.9	87.4	109.4	5.3
	15.0	1.8	4.3	67.5	52.3	6.0	87.9	11.3	111.7	6.0	91.1	111.0	5.4
	20.0	3.8	8.8	68.9	52.9	5.8	88.6	11.9	113.5	6.0	92.8	111.7	5.5
100	10.0	0.3	0.7	60.1	49.2	7.1	84.2	8.5	Operation not recommended				
	15.0	1.8	4.1	62.7	50.3	6.6	85.4	9.4					
	20.0	3.7	8.5	64.1	50.9	6.4	86.1	10.0					
110	10.0	0.2	0.6	55.8	47.5	7.9	82.7	7.1					
	15.0	1.7	3.9	58.1	48.4	7.4	83.4	7.8					
	20.0	3.6	8.3	59.4	48.9	7.2	83.9	8.3					
120	10.0	0.2	0.5	52.2	46.3	8.8	82.2	5.9					
	15.0	1.6	3.7	54.1	46.9	8.3	82.3	6.5					
	20.0	3.5	8.0	55.1	47.3	8.0	82.5	6.9					

Interpolation is permissible; extrapolation is not.
 All entering air conditions are 80°F DB and 67°F WB in cooling, and 70°F DB in heating.
 AHRI/ISO certified conditions are 80.6°F DB and 66.2°F WB in cooling and 68°F DB in heating.
 Table does not reflect fan or pump power corrections for AHRI/ISO conditions.
 All performance is based upon the lower voltage of dual voltage rated units.
 Performance stated is at the rated power supply; performance may vary as the power supply varies from the rated.
 Operation below 40°F EWT is based upon a 15% methanol antifreeze solution.
 Operation below 60°F EWT requires optional insulated water/refrigerant circuit.
 See performance correction tables for operating conditions other than those listed above.
 See Performance Data Selection Notes for operation in the shaded areas.

Performance Data – HBH/V096

3,200 CFM Nominal Airflow Heating & Cooling

Performance capacities shown in thousands of Btu/h

WATER/BRINE				Cooling - EAT 80/67°F					Heating - EAT 70°F				
EWT °F	Flow GPM	PD PSI	PD FT	TC	SC	kW	HR	EER	HC	kW	HE	LAT	COP
20	24.0	10.2	23.5	Operation not recommended					67.1	6.60	44.6	87.4	3.0
30	12.0	2.1	4.9	109.6	77.9	4.9	126.2	22.4	73.6	6.73	50.7	89.3	3.2
	18.0	5.3	12.1	109.3	77.9	4.7	125.3	23.3	76.9	6.79	53.7	90.2	3.3
	24.0	9.3	21.4	108.9	77.8	4.6	124.6	23.7	78.7	6.83	55.4	90.7	3.4
40	12.0	1.9	4.4	108.7	77.3	5.3	126.7	20.7	84.8	6.95	61.1	92.5	3.6
	18.0	4.8	11.0	109.5	77.8	5.0	126.5	21.9	89.0	7.03	65.1	93.7	3.7
	24.0	8.4	19.3	109.6	77.9	4.9	126.2	22.5	91.4	7.07	67.3	94.4	3.8
50	12.0	1.7	4.0	106.7	76.2	5.7	126.2	18.7	96.7	7.17	72.2	95.9	4.0
	18.0	4.5	10.3	108.2	77.0	5.4	126.6	20.1	101.9	7.27	77.1	97.4	4.1
	24.0	7.9	18.2	108.8	77.3	5.2	126.7	20.8	104.7	7.32	79.8	98.2	4.2
60	12.0	1.5	3.4	103.6	74.8	6.3	124.9	16.5	108.8	7.40	83.6	99.4	4.3
	18.0	3.8	8.8	105.8	75.8	5.9	125.9	18.0	114.9	7.51	89.3	101.2	4.5
	24.0	6.8	15.8	106.8	76.3	5.7	126.2	18.8	118.2	7.58	92.4	102.1	4.6
70	12.0	1.3	3.1	99.6	73.1	6.9	123.1	14.5	121.0	7.63	95.0	102.9	4.6
	18.0	3.6	8.4	102.4	74.3	6.5	124.4	15.9	127.7	7.76	101.2	104.9	4.8
	24.0	6.6	15.2	103.7	74.9	6.2	125.0	16.6	131.3	7.83	104.6	105.9	4.9
80	12.0	1.2	2.8	94.9	71.1	7.6	120.9	12.5	132.8	7.86	106.0	106.3	5.0
	18.0	3.4	7.9	98.2	72.5	7.1	122.4	13.8	139.8	8.01	112.5	108.4	5.1
	24.0	6.3	14.5	99.7	73.1	6.9	123.2	14.5	143.5	8.09	115.9	109.4	5.2
85	12.0	1.1	2.7	92.3	70.0	8.0	119.6	11.6	138.3	7.98	111.1	107.9	5.1
	18.0	3.4	7.7	95.7	71.4	7.5	121.3	12.8	145.3	8.13	117.5	109.9	5.2
	24.0	6.2	14.2	97.3	72.1	7.2	122.0	13.5	148.8	8.21	120.8	111.0	5.3
90	12.0	1.1	2.5	89.6	68.9	8.4	118.4	10.6	143.9	8.10	116.2	109.5	5.2
	18.0	3.3	7.6	93.2	70.4	7.9	120.1	11.8	150.8	8.25	122.6	111.5	5.4
	24.0	6.1	14.0	94.9	71.1	7.6	120.9	12.5	154.2	8.34	125.7	112.5	5.4
100	12.0	1.0	2.3	83.9	66.6	9.3	115.7	9.0	Operation not recommended				
	18.0	3.1	7.2	87.7	68.1	8.7	117.5	10.0					
	24.0	5.9	13.6	89.6	68.9	8.4	118.3	10.6					
110	12.0	0.9	2.0	77.8	64.0	10.4	113.1	7.5					
	18.0	3.0	6.8	81.7	65.7	9.7	114.8	8.4					
	24.0	5.7	13.1	83.7	66.5	9.4	115.6	8.9					
120	12.0	0.8	1.8	71.5	61.2	11.5	110.6	6.2					
	18.0	2.8	6.5	75.4	63.0	10.8	112.2	7.0					
	24.0	5.5	12.6	77.4	63.8	10.4	113.0	7.4					

Interpolation is permissible; extrapolation is not.
 All entering air conditions are 80°F DB and 67°F WB in cooling, and 70°F DB in heating.
 AHR/ISO certified conditions are 80.6°F DB and 66.2°F WB in cooling and 68°F DB in heating.
 Table does not reflect fan or pump power corrections for AHR/ISO conditions.
 All performance is based upon the lower voltage of dual voltage rated units.
 Performance stated is at the rated power supply; performance may vary as the power supply varies from the rated.
 Operation below 40°F EWT is based upon a 15% methanol antifreeze solution.
 Operation below 60°F EWT requires optional insulated water/refrigerant circuit.
 See performance correction tables for operating conditions other than those listed above.
 See Performance Data Selection Notes for operation in the shaded areas.

Performance Data – HBH/V120

4,000 CFM Nominal Airflow Heating & Cooling

Performance capacities shown in thousands of Btu/h

WATER/BRINE				Cooling - EAT 80/67°F					Heating - EAT 70°F				
EWT °F	Flow GPM	PD PSI	PD FT	TC	SC	kW	HR	EER	HC	kW	HE	LAT	COP
20	30.0	16.0	36.9	Operation not recommended					91.8	9.0	61.1	89.2	3.0
30	15.0	4.0	9.2	141.5	98.1	6.6	163.9	21.6	99.2	9.2	67.8	90.9	3.2
	22.5	8.6	19.9	140.4	98.2	6.3	162.0	22.2	103.3	9.3	71.6	91.9	3.3
	30.0	14.5	33.4	139.2	98.0	6.2	160.5	22.4	105.6	9.4	73.7	92.4	3.3
40	15.0	3.5	8.0	140.6	97.2	7.0	164.4	20.1	112.5	9.5	80.1	94.0	3.5
	22.0	7.7	17.8	141.5	98.0	6.7	164.2	21.3	117.8	9.6	84.9	95.2	3.6
	30.0	13.0	30.0	141.5	98.2	6.5	163.7	21.7	120.8	9.7	87.6	95.9	3.6
50	15.0	3.2	7.4	137.4	95.6	7.5	163.0	18.3	126.8	9.9	93.2	97.3	3.8
	22.5	7.2	16.6	139.9	96.8	7.1	164.1	19.7	133.3	10.0	99.2	98.8	3.9
	30.0	12.2	28.3	140.8	97.3	6.9	164.4	20.3	136.9	10.1	102.5	99.6	4.0
60	15.0	2.4	5.5	132.6	93.5	8.1	160.3	16.3	141.7	10.2	106.9	100.7	4.1
	22.5	5.8	13.4	136.2	95.0	7.7	162.4	17.7	149.3	10.4	114.0	102.5	4.2
	30.0	10.2	23.6	137.7	95.8	7.5	163.2	18.5	153.6	10.5	117.9	103.5	4.3
70	15.0	2.2	5.1	126.6	90.9	8.9	156.9	14.3	156.8	10.5	120.9	104.2	4.4
	22.5	5.5	12.7	130.9	92.8	8.3	159.4	15.7	165.6	10.7	129.0	106.2	4.5
	30.0	9.8	22.6	133.0	93.6	8.1	160.6	16.4	170.4	10.8	133.4	107.3	4.6
80	15.0	2.1	4.7	119.9	88.0	9.7	153.1	12.3	172.0	10.9	135.0	107.7	4.6
	22.5	5.2	12.0	124.6	90.0	9.1	155.7	13.7	181.6	11.1	143.8	110.0	4.8
	30.0	9.4	21.7	126.9	91.0	8.8	157.1	14.4	186.9	11.2	148.6	111.2	4.9
85	15.0	2.0	4.6	116.4	86.5	10.2	151.2	11.5	179.5	11.0	141.9	109.5	4.8
	22.5	5.1	11.9	121.1	88.5	9.6	153.8	12.7	189.4	11.3	151.0	111.7	4.9
	30.0	9.3	21.5	123.5	89.6	9.3	155.1	13.4	194.8	11.4	155.8	113.0	5.0
90	15.0	2.0	4.5	113.0	85.0	10.7	149.3	10.6	187.0	11.2	148.7	111.2	4.9
	22.5	5.1	11.7	117.7	87.0	10.0	151.8	11.8	197.2	11.5	158.1	113.5	5.0
	30.0	9.2	21.2	120.1	88.1	9.7	153.2	12.4	202.7	11.6	163.1	114.8	5.1
100	15.0	1.9	4.3	106.0	81.8	11.7	146.0	9.0	Operation not recommended				
	22.5	4.9	11.4	110.6	83.9	11.0	148.1	10.0					
	30.0	9.0	20.8	112.9	84.9	10.7	149.3	10.6					
110	15.0	1.8	4.1	99.6	78.9	12.9	143.6	7.7					
	22.5	4.8	11.1	103.7	80.8	12.1	145.0	8.6					
	30.0	8.8	20.4	105.9	81.8	11.8	145.9	9.0					
120	15.0	1.7	3.9	94.2	76.5	14.2	142.6	6.6					
	22.5	4.7	10.8	97.5	78.0	13.4	143.1	7.3					
	30.0	8.6	19.9	99.4	78.8	13.0	143.5	7.7					

Interpolation is permissible; extrapolation is not.
 All entering air conditions are 80°F DB and 67°F WB in cooling, and 70°F DB in heating.
 AHRI/ISO certified conditions are 80.6°F DB and 66.2°F WB in cooling and 68°F DB in heating.
 Table does not reflect fan or pump power corrections for AHRI/ISO conditions.
 All performance is based upon the lower voltage of dual voltage rated units.
 Performance stated is at the rated power supply; performance may vary as the power supply varies from the rated.
 Operation below 40°F EWT is based upon a 15% methanol antifreeze solution.
 Operation below 60°F EWT requires optional insulated water/refrigerant circuit.
 See performance correction tables for operating conditions other than those listed above.
 See Performance Data Selection Notes for operation in the shaded areas.

Performance Data – HBV160

5,600 CFM Nominal Airflow Heating & Cooling

Performance capacities shown in thousands of Btuh

WATER / BRINE				COOLING - EAT 80/67 °F					HEATING - EAT 70°F				
EWT °F	Flow GPM	PD PSI	PD FT	TC	SC	kW	HR	EER	HC	kW	HE	LAT	COP
20	42.0	10.6	24.6	Operation not recommended					110.5	9.3	78.8	86.2	3.5
30	21.0	3.3	7.6	166.5	122.6	8.1	194.3	20.4	119.6	10.3	84.6	87.7	3.4
	31.5	6.2	14.3	160.7	118.4	7.7	187.1	20.8	124.3	10.6	88.1	88.5	3.4
	42.0	9.7	22.3	157.0	115.7	7.5	182.8	20.8	126.8	10.8	90.1	88.9	3.5
40	21.0	2.8	6.4	171.3	125.8	8.8	201.5	19.4	137.3	11.3	98.8	90.7	3.6
	31.5	5.2	12.1	168.9	124.3	8.4	197.6	20.1	143.8	11.6	104.3	91.7	3.6
	42.0	8.3	19.2	167.0	123.0	8.2	195.0	20.4	147.4	11.7	107.5	92.3	3.7
50	21.0	1.9	4.4	171.4	125.7	9.6	204.0	17.9	157.4	12.0	116.5	94.0	3.9
	31.5	4.0	9.1	171.8	126.1	9.1	202.8	18.9	165.7	12.2	124.1	95.3	4.0
	42.0	6.6	15.2	171.4	125.8	8.9	201.6	19.3	170.3	12.3	128.4	96.1	4.1
60	21.0	1.8	4.2	168.0	123.6	10.3	203.2	16.2	178.6	12.4	136.2	97.5	4.2
	31.5	3.8	8.8	170.5	125.1	9.8	204.1	17.3	188.5	12.6	145.5	99.1	4.4
	42.0	6.4	14.7	171.3	125.7	9.6	204.0	17.9	194.0	12.7	150.7	100.0	4.5
70	21.0	1.7	4.0	162.0	120.5	11.2	200.2	14.5	200.0	12.8	156.3	101.0	4.6
	31.5	3.6	8.4	166.1	122.6	10.6	202.4	15.6	211.1	13.0	166.7	102.8	4.8
	42.0	6.1	14.1	167.8	123.5	10.4	203.2	16.2	217.1	13.1	172.2	103.8	4.8
80	21.0	1.7	3.9	154.4	117.1	12.1	195.8	12.7	220.7	13.2	175.6	104.4	4.9
	31.5	3.5	8.1	159.4	119.2	11.5	198.7	13.8	232.2	13.6	185.9	106.3	5.0
	42.0	5.9	13.6	161.7	120.3	11.2	200.1	14.4	238.0	13.8	191.0	107.3	5.1
90	21.0	1.6	3.8	145.6	113.9	13.2	190.7	11.0	239.6	13.8	192.4	107.5	5.1
	31.5	3.4	7.9	151.1	115.8	12.5	193.9	12.1	250.2	14.4	201.0	109.3	5.1
	42.0	5.6	13.0	153.8	116.8	12.2	195.5	12.6	255.0	14.8	204.7	110.1	5.1
100	21.0	1.6	3.6	136.4	111.4	14.4	185.6	9.5	Operation not recommended				
	31.5	3.3	7.7	141.9	112.8	13.7	188.6	10.4					
	42.0	5.6	12.9	144.7	113.6	13.3	190.2	10.9					
110	21.0	1.5	3.5	127.2	110.0	15.8	181.2	8.0					
	31.5	3.2	7.4	132.5	110.6	15.0	183.6	8.8					
	42.0	5.5	12.7	135.2	111.1	14.6	185.0	9.3					
120	21.0	1.4	3.2	118.7	110.3	17.4	178.2	6.8					
	31.5	3.1	7.2	123.4	109.9	16.5	179.6	7.5					
	42.0	5.4	12.4	125.9	109.9	16.0	180.6	7.9					

Interpolation is permissible, extrapolation is not.
 All entering air conditions are 80°F DB and 67°F WB in cooling and 70°F DB in heating.
 All performance data is based upon the lower voltage of dual voltage rated units.
 See performance correction tables for operating conditions other than those listed above.
 See Performance Data Selection Notes for operation in shaded areas.

Performance Data – HBV192

6,400 CFM Nominal Airflow Heating & Cooling

Performance capacities shown in thousands of Btuh

WATER / BRINE				COOLING - EAT 80/67 °F					HEATING - EAT 70°F				
EWT °F	Flow GPM	PD PSI	PD FT	TC	SC	kW	HR	EER	HC	kW	HE	LAT	COP
20	48.0	14.1	32.5	Operation not recommended					128.8	11.3	90.3	86.6	3.3
	24.0	4.4	10.1	195.9	146.9	9.7	229.0	20.2	141.7	12.0	100.6	88.5	3.4
	30	36.0	8.1	18.6	179.6	137.5	8.8	209.5	20.5	148.1	12.3	105.9	89.4
30	48.0	12.4	28.7	169.8	131.7	8.3	198.2	20.4	151.6	12.5	109.0	89.9	3.6
	24.0	3.8	8.8	209.3	154.3	10.9	246.4	19.2	164.0	12.9	119.8	91.7	3.7
	36.0	7.0	16.1	202.2	150.4	10.1	236.8	19.9	172.2	13.2	127.2	92.9	3.8
40	48.0	10.8	25.0	196.8	147.4	9.7	230.1	20.2	176.8	13.3	131.3	93.5	3.9
	24.0	3.3	7.6	211.4	155.5	11.8	251.7	17.9	187.6	13.6	141.2	95.1	4.0
	36.0	5.5	12.6	210.9	155.1	11.2	249.1	18.9	197.7	13.8	150.5	96.5	4.2
50	48.0	8.8	20.2	209.1	154.2	10.9	246.2	19.3	203.3	14.0	155.7	97.3	4.3
	24.0	2.8	6.5	206.6	153.5	12.7	249.9	16.3	211.9	14.1	163.6	98.6	4.4
	36.0	5.2	12.1	210.5	155.2	12.1	251.7	17.4	223.7	14.4	174.6	100.3	4.6
60	48.0	8.4	19.5	211.4	155.6	11.8	251.6	18.0	230.2	14.5	180.7	101.2	4.7
	24.0	2.7	6.2	197.8	149.5	13.5	244.0	14.6	236.1	14.6	186.2	102.1	4.7
	36.0	5.0	11.6	204.2	152.4	12.9	248.4	15.8	249.2	14.9	198.4	104.0	4.9
70	48.0	8.1	18.8	206.9	153.6	12.6	250.0	16.4	256.3	15.1	204.9	105.0	5.0
	24.0	2.6	6.1	186.9	144.3	14.5	236.3	12.9	259.6	15.1	208.0	105.5	5.0
	36.0	4.9	11.4	194.4	147.8	13.8	241.6	14.1	273.4	15.5	220.5	107.5	5.2
80	48.0	8.0	18.4	198.0	149.5	13.5	244.1	14.6	280.6	15.7	226.9	108.5	5.2
	24.0	2.5	5.9	175.4	138.9	15.6	228.6	11.2	281.8	15.8	227.9	108.7	5.2
	36.0	4.8	11.1	182.9	142.4	14.8	233.5	12.3	295.3	16.3	239.5	110.6	5.3
90	48.0	7.7	17.7	186.7	144.2	14.5	236.2	12.9	302.0	16.7	245.0	111.6	5.3
	24.0	2.5	5.7	165.0	134.2	17.0	222.9	9.7	Operation not recommended				
	36.0	4.6	10.7	171.3	137.0	16.1	226.2	10.7					
48.0	7.5	17.4	174.9	138.7	15.7	228.3	11.2						
110	24.0	2.4	5.5	157.4	131.7	18.7	221.2	8.4					
	36.0	4.5	10.5	161.6	132.9	17.6	221.6	9.2					
120	48.0	7.4	17.0	164.3	134.0	17.1	222.6	9.6					
	24.0	2.3	5.3	155.1	133.4	21.0	226.8	7.4					
	36.0	4.3	9.9	155.7	131.7	19.5	222.3	8.0					
	48.0	7.3	16.8	157.0	131.6	18.9	221.4	8.3					

Interpolation is permissible, extrapolation is not.
 All entering air conditions are 80°F DB and 67°F WB in cooling and 70°F DB in heating.
 All performance data is based upon the lower voltage of dual voltage rated units.
 See performance correction tables for operating conditions other than those listed above.
 See Performance Data Selection Notes for operation in shaded areas.

Performance Data – HBV240

8,000 CFM Nominal Airflow Heating & Cooling

Performance capacities shown in thousands of Btuh

WATER / BRINE				COOLING - EAT 80/67 °F					HEATING - EAT 70°F				
EWT °F	Flow GPM	PD PSI	PD FT	TC	SC	kW	HR	EER	HC	kW	HE	LAT	COP
20	60.0	11.4	26.4	Operation not recommended					165.0	16.7	108.0	87.1	2.9
30	30.0	3.6	8.3	263.8	186.8	13.2	309.0	19.9	182.6	17.1	124.4	89.1	3.1
	45.0	6.7	15.5	255.5	183.3	12.8	299.0	20.0	191.0	17.2	132.2	90.1	3.3
	60.0	10.6	24.4	249.5	180.9	12.6	292.4	19.9	195.7	17.3	136.7	90.6	3.3
40	30.0	3.4	7.8	267.5	188.9	14.1	315.5	19.0	211.9	17.6	151.9	92.5	3.5
	45.0	6.3	14.5	265.9	187.7	13.5	311.9	19.7	222.9	17.8	162.3	93.7	3.7
	60.0	9.3	21.4	263.5	186.7	13.2	308.6	19.9	229.1	17.9	168.1	94.5	3.8
50	30.0	2.9	6.6	263.8	188.5	15.0	314.9	17.6	242.8	18.1	181.1	96.0	3.9
	45.0	4.8	11.1	267.1	189.0	14.3	315.9	18.6	256.5	18.3	194.0	97.6	4.1
	60.0	7.7	17.8	267.5	188.8	14.0	315.4	19.1	264.1	18.4	201.2	98.5	4.2
60	30.0	2.5	5.8	254.8	186.2	16.0	309.5	15.9	274.6	18.6	211.1	99.7	4.3
	45.0	4.7	10.7	261.5	188.0	15.3	313.7	17.1	290.7	18.9	226.3	101.6	4.5
	60.0	7.5	17.3	264.1	188.5	14.9	315.0	17.7	299.6	19.0	234.7	102.6	4.6
70	30.0	2.4	5.6	242.4	182.2	17.2	301.1	14.1	306.5	19.1	241.2	103.4	4.7
	45.0	4.5	10.4	251.2	185.1	16.4	307.1	15.3	324.7	19.5	258.2	105.5	4.9
	60.0	7.3	16.8	255.2	186.3	16.0	309.7	16.0	334.6	19.7	267.4	106.6	5.0
80	30.0	2.4	5.5	228.0	176.9	18.5	291.1	12.3	338.0	19.8	270.5	107.0	5.0
	45.0	4.4	10.2	237.7	180.5	17.6	297.8	13.5	357.5	20.2	288.6	109.3	5.2
	60.0	7.1	16.5	242.5	182.2	17.2	301.1	14.1	368.0	20.5	298.1	110.5	5.3
90	30.0	2.3	5.3	212.7	170.5	20.0	280.9	10.6	368.2	20.5	298.3	110.5	5.3
	45.0	4.3	9.9	222.5	174.7	19.0	287.4	11.7	388.3	21.1	316.4	112.8	5.4
	60.0	6.9	15.9	227.5	176.7	18.5	290.8	12.3	398.7	21.4	325.6	114.0	5.5
100	30.0	2.3	5.2	197.8	163.6	21.7	271.6	9.1	Operation not recommended				
	45.0	4.2	9.7	206.8	167.9	20.6	277.1	10.0					
	60.0	6.8	15.7	211.7	170.0	20.1	280.2	10.5					
110	30.0	2.2	5.1	184.4	157.0	23.5	264.8	7.8					
	45.0	4.1	9.5	192.1	160.8	22.4	268.5	8.6					
	60.0	6.7	15.4	196.4	162.9	21.8	270.9	9.0					
120	30.0	2.2	5.0	174.1	151.8	25.7	261.9	6.8					
	45.0	4.0	9.3	179.7	154.6	24.4	263.0	7.4					
	60.0	6.6	15.1	183.0	156.3	23.8	264.2	7.7					

Interpolation is permissible, extrapolation is not.
 All entering air conditions are 80°F DB and 67°F WB in cooling and 70°F DB in heating.
 All performance data is based upon the lower voltage of dual voltage rated units.
 See performance correction tables for operating conditions other than those listed above.
 See Performance Data Selection Notes for operation in shaded areas.

Performance Data – HBV300

10,000 CFM Nominal Airflow Heating & Cooling

Performance capacities shown in thousands of Btuh

WATER / BRINE				COOLING - EAT 80/67 °F					HEATING - EAT 70°F				
EWT °F	Flow GPM	PD PSI	PD FT	TC	SC	kW	HR	EER	HC	kW	HE	LAT	COP
20	75.0	15.7	36.3	Operation not recommended					211.4	21.4	138.3	87.5	2.9
30	37.5	5.0	11.6	342.5	241.7	17.4	401.8	19.7	230.6	21.9	155.8	89.3	3.1
	56.3	9.2	21.3	333.6	238.3	16.9	391.2	19.8	240.1	22.1	164.6	90.2	3.2
	75.0	14.3	32.9	327.1	235.6	16.7	383.9	19.6	245.4	22.3	169.5	90.7	3.2
40	37.5	4.7	10.8	345.6	242.7	18.3	408.1	18.9	264.5	22.7	187.1	92.4	3.4
	56.3	7.8	18.0	344.4	242.3	17.6	404.5	19.5	277.3	22.9	199.0	93.6	3.5
	75.0	13.1	30.2	341.9	241.5	17.3	401.0	19.7	284.5	23.1	205.7	94.3	3.6
50	37.5	3.4	7.9	340.4	240.6	19.4	406.7	17.5	301.4	23.5	221.4	95.8	3.8
	56.3	5.9	13.6	344.9	242.3	18.6	408.4	18.5	317.4	23.8	236.2	97.3	3.9
	75.0	9.6	22.3	345.7	242.7	18.2	407.9	19.0	326.4	24.0	244.5	98.2	4.0
60	37.5	2.9	6.6	329.3	236.3	20.7	400.0	15.9	339.9	24.3	257.0	99.4	4.1
	56.3	5.7	13.1	337.8	239.5	19.8	405.3	17.1	358.8	24.7	274.6	101.1	4.3
	75.0	9.3	21.5	341.1	240.8	19.3	407.1	17.7	369.2	24.9	284.2	102.1	4.3
70	37.5	2.8	6.4	314.0	230.3	22.3	389.9	14.1	378.6	25.1	292.8	103.0	4.4
	56.3	5.5	12.6	325.1	234.6	21.2	397.3	15.4	399.7	25.6	312.3	104.9	4.6
	75.0	9.0	20.8	330.2	236.6	20.6	400.6	16.0	411.2	25.9	322.7	106.0	4.6
80	37.5	2.7	6.2	296.0	223.0	24.0	378.0	12.3	416.3	26.1	327.4	106.5	4.7
	56.3	5.3	12.3	308.6	228.1	22.8	386.3	13.5	438.6	26.7	347.6	108.5	4.8
	75.0	8.8	20.4	314.7	230.5	22.2	390.4	14.2	450.2	27.0	358.1	109.6	4.9
90	37.5	2.6	5.9	276.8	214.9	26.0	365.5	10.6	451.7	27.1	359.4	109.7	4.9
	56.3	5.1	11.8	289.7	220.3	24.6	373.8	11.8	473.5	27.8	378.7	111.7	5.0
	75.0	8.5	19.6	296.2	223.1	24.0	378.1	12.3	484.3	28.2	388.1	112.7	5.0
100	37.5	2.5	5.8	257.5	206.4	28.2	353.9	9.1	Operation not recommended				
	56.3	5.0	11.6	269.8	211.8	26.8	361.2	10.1					
	75.0	8.4	19.3	276.3	214.6	26.0	365.2	10.6					
110	37.5	2.4	5.5	239.4	198.4	30.8	344.5	7.8					
	56.3	4.9	11.3	250.4	203.3	29.2	350.0	8.6					
	75.0	7.8	18.1	256.4	205.9	28.4	353.2	9.0					
120	37.5	2.2	5.2	224.0	192.0	33.7	339.0	6.6					
	56.3	4.9	11.4	233.0	195.6	31.9	341.8	7.3					
	75.0	7.3	16.9	238.0	197.8	31.0	343.9	7.7					

Interpolation is permissible, extrapolation is not.
 All entering air conditions are 80°F DB and 67°F WB in cooling and 70°F DB in heating.
 All performance data is based upon the lower voltage of dual voltage rated units.
 See performance correction tables for operating conditions other than those listed above.
 See Performance Data Selection Notes for operation in shaded areas.

Performance Data – Full Load 072 VFD

2,400 CFM Nominal Airflow Heating & Cooling

EWT °F	WATER / BRINE			COOLING - EAT 80/67 °F					HEATING - EAT 70°F				
	FLOW gpm	PD psi	PD ft.	TC	SC	KW	HR	EER	HC	KW	HE	LAT	COP
20	20.0	6.8	15.8	Operation Not Recommended					45.8	4.37	30.9	85.6	3.1
30	10.0	1.2	2.7	84.3	58.3	3.03	94.6	27.8	52.6	4.51	37.2	88.2	3.4
	15.0	3.3	7.7	84.3	57.4	2.87	94.0	29.3	55.2	4.56	39.6	89.2	3.5
	20.0	6.2	14.3	84.1	56.8	2.80	93.6	30.0	56.6	4.59	41.0	89.8	3.6
40	10.0	1.0	2.2	83.3	58.6	3.32	94.6	25.1	62.4	4.70	46.3	92.0	3.9
	15.0	3.0	7.0	84.0	58.5	3.13	94.7	26.8	65.5	4.77	49.3	93.2	4.0
	20.0	5.6	13.0	84.2	58.3	3.04	94.6	27.7	67.3	4.80	50.9	93.9	4.1
50	10.0	0.9	2.0	81.3	57.9	3.68	93.9	22.1	71.9	4.90	55.2	95.7	4.3
	15.0	2.8	6.5	82.7	58.4	3.45	94.4	24.0	75.6	4.97	58.6	97.1	4.5
	20.0	5.3	12.2	83.2	58.6	3.34	94.6	24.9	77.6	5.01	60.5	97.9	4.5
60	10.0	0.5	1.2	78.6	56.5	4.10	92.5	19.2	81.2	5.08	63.9	99.3	4.7
	15.0	2.2	5.1	80.4	57.4	3.83	93.4	21.0	85.3	5.17	67.7	100.8	4.8
	20.0	4.4	10.1	81.2	57.8	3.70	93.8	21.9	87.5	5.21	69.7	101.7	4.9
70	10.0	0.5	1.1	75.2	54.7	4.58	90.8	16.4	90.1	5.27	72.2	102.7	5.0
	15.0	2.1	4.8	77.3	55.9	4.27	91.9	18.1	94.5	5.36	76.2	104.4	5.2
	20.0	4.2	9.6	78.3	56.4	4.13	92.4	19.0	96.8	5.41	78.3	105.3	5.2
80	10.0	0.4	0.9	71.2	52.7	5.13	88.7	13.9	98.6	5.45	80.0	105.9	5.3
	15.0	1.9	4.5	73.6	53.9	4.79	90.0	15.4	103.0	5.55	84.1	107.7	5.4
	20.0	3.9	9.1	74.8	54.5	4.63	90.6	16.2	105.3	5.61	86.2	108.5	5.5
90	10.0	0.3	0.8	66.9	50.7	5.75	86.6	11.6	106.4	5.63	87.2	108.9	5.5
	15.0	1.8	4.3	69.5	51.9	5.38	87.8	12.9	110.7	5.74	91.2	110.6	5.7
	20.0	3.8	8.8	70.8	52.5	5.20	88.5	13.6	112.9	5.80	93.2	111.5	5.7
100	10.0	0.3	0.7	62.4	48.8	6.45	84.4	9.7	Operation Not Recommended				
	15.0	1.8	4.1	65.0	49.9	6.04	85.6	10.8					
	20.0	3.7	8.5	66.3	50.4	5.84	86.3	11.4					
110	10.0	0.2	0.6	57.7	47.1	7.24	82.4	8.0					
	15.0	1.7	3.9	60.3	48.0	6.79	83.5	8.9					
	20.0	3.6	8.3	61.6	48.5	6.57	84.0	9.4					
120	10.0	0.2	0.5	53.0	45.8	8.11	80.7	6.5					
	15.0	1.6	3.7	55.6	46.5	7.63	81.6	7.3					
	20.0	3.5	8.0	56.9	46.9	7.39	82.1	7.7					

Interpolation is permissible, extrapolation is not.
 All entering air conditions are 80°F DB and 67°F WB in cooling and 70°F DB in heating.
 All performance data is based upon the lower voltage of dual voltage rated units.
 See performance correction tables for operating conditions other than those listed above.
 See Performance Data Selection Notes for operation in shaded areas.

Performance Data – Part Load 072 VFD

1,200 CFM Nominal Airflow Heating & Cooling

EWT °F	WATER / BRINE			COOLING - EAT 80/67 °F					HEATING - EAT 70°F				
	FLOW gpm	PD psi	PD ft.	TC	SC	KW	HR	EER	HC	KW	HE	LAT	COP
20	20.0	6.8	15.8	Operation Not Recommended					21.6	2.12	14.4	84.7	3.0
30	10.0	1.2	2.7	41.8	29.9	1.31	46.3	31.9	25.9	2.19	18.4	87.9	3.5
	15.0	3.3	7.7	41.7	29.9	1.26	46.0	33.0	26.5	2.20	19.0	88.4	3.5
	20.0	6.2	14.3	41.6	29.9	1.24	45.8	33.5	26.8	2.21	19.3	88.6	3.6
40	10.0	1.0	2.2	41.7	29.6	1.47	46.8	28.4	30.8	2.29	23.0	91.7	4.0
	15.0	3.0	7.0	41.8	29.8	1.42	46.7	29.5	31.6	2.30	23.8	92.4	4.0
	20.0	5.6	13.0	41.9	29.8	1.39	46.6	30.1	32.1	2.31	24.1	92.7	4.1
50	10.0	0.9	2.0	41.1	29.1	1.65	46.7	24.9	35.8	2.38	27.7	95.6	4.4
	15.0	2.8	6.5	41.3	29.3	1.59	46.8	26.0	36.8	2.40	28.6	96.3	4.5
	20.0	5.3	12.2	41.5	29.4	1.56	46.9	26.5	37.2	2.41	29.0	96.7	4.5
60	10.0	0.5	1.2	39.9	28.5	1.86	46.2	21.4	40.7	2.48	32.2	99.3	4.8
	15.0	2.2	5.1	40.3	28.7	1.79	46.4	22.5	41.7	2.50	33.1	100.1	4.9
	20.0	4.4	10.1	40.5	28.8	1.76	46.5	23.0	42.3	2.52	33.7	100.5	4.9
70	10.0	0.5	1.1	38.2	27.7	2.09	45.4	18.3	45.3	2.58	36.5	102.9	5.1
	15.0	2.1	4.8	38.8	27.9	2.02	45.7	19.2	46.4	2.61	37.5	103.7	5.2
	20.0	4.2	9.6	39.0	28.0	1.98	45.8	19.7	47.0	2.62	38.0	104.2	5.3
80	10.0	0.4	0.9	36.3	26.8	2.36	44.3	15.4	49.6	2.69	40.5	106.2	5.4
	15.0	1.9	4.5	36.9	27.1	2.28	44.7	16.2	50.8	2.72	41.5	107.1	5.5
	20.0	3.9	9.1	37.2	27.2	2.24	44.8	16.6	51.3	2.73	42.0	107.5	5.5
90	10.0	0.3	0.8	34.1	26.0	2.66	43.1	12.8	53.5	2.79	44.0	109.2	5.6
	15.0	1.8	4.3	34.7	26.2	2.57	43.5	13.5	54.6	2.82	45.0	110.0	5.7
	20.0	3.8	8.8	35.1	26.3	2.52	43.7	13.9	55.1	2.84	45.4	110.4	5.7
100	10.0	0.3	0.7	31.6	25.1	2.99	41.8	10.6	Operation Not Recommended				
	15.0	1.8	4.1	32.3	25.3	2.89	42.2	11.2					
	20.0	3.7	8.5	32.7	25.5	2.84	42.4	11.5					
110	10.0	0.2	0.6	29.1	24.3	3.36	40.6	8.7					
	15.0	1.7	3.9	29.8	24.5	3.26	40.9	9.2					
	20.0	3.6	8.3	30.1	24.6	3.20	41.1	9.4					
120	10.0	0.2	0.5	26.5	23.4	3.77	39.4	7.0					
	15.0	1.6	3.7	27.2	23.7	3.66	39.7	7.4					
	20.0	3.5	8.0	27.6	23.8	3.60	39.9	7.7					

Interpolation is permissible, extrapolation is not.
 All entering air conditions are 80°F DB and 67°F WB in cooling and 70°F DB in heating.
 All performance data is based upon the lower voltage of dual voltage rated units.
 See performance correction tables for operating conditions other than those listed above.
 See Performance Data Selection Notes for operation in shaded areas.

Performance Data – Full Load 096 VFD

3,200 CFM Nominal Airflow Heating & Cooling

EWT °F	WATER / BRINE			COOLING - EAT 80/67 °F					HEATING - EAT 70°F				
	FLOW gpm	PD psi	PD ft.	TC	SC	KW	HR	EER	HC	KW	HE	LAT	COP
20	24.0	10.2	23.5	Operation Not Recommended					66.3	6.53	44.0	87.1	3.0
30	12.0	2.1	4.9	113.6	83.5	4.66	129.5	24.4	73.7	6.68	50.9	89.3	3.2
	18.0	5.3	12.1	113.1	83.1	4.40	128.1	25.7	77.2	6.75	54.2	90.3	3.4
	24.0	9.3	21.4	112.4	82.7	4.28	127.0	26.3	79.1	6.79	56.0	90.8	3.4
40	12.0	1.9	4.4	112.6	83.3	5.07	130.0	22.2	85.6	6.91	62.1	92.7	3.6
	18.0	4.8	11.0	113.5	83.5	4.77	129.8	23.8	90.0	6.99	66.1	94.0	3.8
	24.0	8.4	19.3	113.6	83.5	4.63	129.4	24.5	92.3	7.04	68.4	94.7	3.8
50	12.0	1.7	4.0	110.0	82.3	5.54	128.9	19.8	97.7	7.14	73.4	96.2	4.0
	18.0	4.5	10.3	112.0	83.1	5.20	129.7	21.5	102.9	7.23	78.2	97.7	4.2
	24.0	7.9	18.2	112.7	83.3	5.04	129.9	22.4	105.7	7.29	80.9	98.5	4.3
60	12.0	1.5	3.4	106.0	80.8	6.08	126.8	17.4	109.8	7.36	84.7	99.7	4.4
	18.0	3.8	8.8	108.9	81.9	5.69	128.4	19.1	115.7	7.48	90.2	101.4	4.5
	24.0	6.8	15.8	110.2	82.4	5.51	129.0	20.0	118.9	7.54	93.1	102.3	4.6
70	12.0	1.3	3.1	101.1	78.8	6.69	123.9	15.1	121.7	7.59	95.8	103.1	4.7
	18.0	3.6	8.4	104.6	80.2	6.26	126.0	16.7	128.1	7.72	101.7	105.0	4.9
	24.0	6.6	15.2	106.2	80.9	6.05	126.9	17.6	131.5	7.79	104.9	106.0	4.9
80	12.0	1.2	2.8	95.4	76.4	7.40	120.6	12.9	133.1	7.82	106.4	106.4	5.0
	18.0	3.4	7.9	99.3	78.1	6.91	122.9	14.4	139.8	7.96	112.6	108.3	5.1
	24.0	6.3	14.5	101.2	78.9	6.68	124.0	15.2	143.3	8.04	115.8	109.4	5.2
90	12.0	1.1	2.5	89.2	73.7	8.20	117.1	10.9	143.8	8.05	116.3	109.5	5.2
	18.0	3.3	7.6	93.3	75.6	7.66	119.4	12.2	150.5	8.21	122.5	111.4	5.4
	24.0	6.1	14.0	95.4	76.4	7.40	120.6	12.9	153.9	8.30	125.6	112.4	5.4
100	12.0	1.0	2.3	82.6	70.8	9.12	113.7	9.1	Operation Not Recommended				
	18.0	3.1	7.2	86.8	72.7	8.52	115.9	10.2					
	24.0	5.9	13.6	89.0	73.7	8.23	117.0	10.8					
110	12.0	0.9	2.0	76.0	67.7	10.17	110.7	7.5					
	18.0	3.0	6.8	80.1	69.7	9.50	112.5	8.4					
	24.0	5.7	13.1	82.2	70.6	9.18	113.5	9.0					
120	12.0	0.8	1.8	69.4	64.6	11.37	108.2	6.1					
	18.0	2.8	6.5	73.4	66.5	10.62	109.6	6.9					
	24.0	5.5	12.6	75.4	67.4	10.27	110.4	7.3					

Interpolation is permissible, extrapolation is not.
 All entering air conditions are 80°F DB and 67°F WB in cooling and 70°F DB in heating.
 All performance data is based upon the lower voltage of dual voltage rated units.
 See performance correction tables for operating conditions other than those listed above.
 See Performance Data Selection Notes for operation in shaded areas.

Performance Data – Part Load 096 VFD

1,600 CFM Nominal Airflow Heating & Cooling

EWT °F	WATER / BRINE			COOLING - EAT 80/67 °F					HEATING - EAT 70°F				
	FLOW gpm	PD psi	PD ft.	TC	SC	KW	HR	EER	HC	KW	HE	LAT	COP
20	24.0	10.2	23.5	Operation Not Recommended					31.3	3.10	20.7	86.1	3.0
30	12.0	2.1	4.9	57.0	43.0	2.01	63.8	28.4	36.3	3.17	25.4	88.9	3.4
	18.0	5.3	12.1	57.1	42.8	1.95	63.7	29.3	37.1	3.18	26.3	89.4	3.4
	24.0	9.3	21.4	57.1	42.7	1.92	63.6	29.7	37.6	3.19	26.7	89.7	3.5
40	12.0	1.9	4.4	56.2	43.2	2.19	63.7	25.6	42.2	3.26	31.1	92.4	3.8
	18.0	4.8	11.0	56.6	43.2	2.12	63.8	26.6	43.3	3.28	32.1	93.0	3.9
	24.0	8.4	19.3	56.7	43.2	2.09	63.8	27.1	43.8	3.29	32.6	93.3	3.9
50	12.0	1.7	4.0	54.8	42.8	2.42	63.1	22.6	48.1	3.36	36.7	95.8	4.2
	18.0	4.5	10.3	55.4	43.0	2.34	63.3	23.7	49.4	3.39	37.8	96.5	4.3
	24.0	7.9	18.2	55.6	43.0	2.30	63.5	24.2	50.0	3.40	38.4	96.9	4.3
60	12.0	1.5	3.4	52.9	42.1	2.69	62.1	19.7	54.0	3.48	42.1	99.2	4.6
	18.0	3.8	8.8	53.6	42.4	2.59	62.5	20.7	55.4	3.50	43.4	100.0	4.6
	24.0	6.8	15.8	54.0	42.5	2.55	62.7	21.2	56.1	3.52	44.1	100.4	4.7
70	12.0	1.3	3.1	50.6	41.0	3.00	60.9	16.9	59.7	3.59	47.5	102.5	4.9
	18.0	3.6	8.4	51.4	41.4	2.89	61.3	17.8	61.3	3.63	48.9	103.4	5.0
	24.0	6.6	15.2	51.8	41.6	2.84	61.5	18.3	62.1	3.64	49.6	103.8	5.0
80	12.0	1.2	2.8	48.0	39.8	3.35	59.5	14.3	65.4	3.72	52.7	105.7	5.2
	18.0	3.4	7.9	48.9	40.2	3.23	59.9	15.2	67.0	3.76	54.2	106.7	5.2
	24.0	6.3	14.5	49.4	40.4	3.17	60.2	15.6	67.9	3.78	55.0	107.2	5.3
90	12.0	1.1	2.5	45.3	38.5	3.74	58.0	12.1	70.9	3.85	57.8	108.9	5.4
	18.0	3.3	7.6	46.2	39.0	3.61	58.5	12.8	72.7	3.89	59.4	110.0	5.5
	24.0	6.1	14.0	46.6	39.2	3.55	58.7	13.2	73.6	3.91	60.3	110.5	5.5
100	12.0	1.0	2.3	42.4	37.3	4.18	56.7	10.2	Operation Not Recommended				
	18.0	3.1	7.2	43.3	37.7	4.03	57.1	10.7					
	24.0	5.9	13.6	43.8	37.9	3.96	57.3	11.0					
110	12.0	0.9	2.0	39.6	36.1	4.66	55.5	8.5					
	18.0	3.0	6.8	40.5	36.4	4.50	55.8	9.0					
	24.0	5.7	13.1	40.9	36.6	4.43	56.0	9.2					
120	12.0	0.8	1.8	36.9	35.1	5.18	54.6	7.1					
	18.0	2.8	6.5	37.7	35.4	5.02	54.8	7.5					
	24.0	5.5	12.6	38.1	35.5	4.94	54.9	7.7					

Interpolation is permissible, extrapolation is not.
 All entering air conditions are 80°F DB and 67°F WB in cooling and 70°F DB in heating.
 All performance data is based upon the lower voltage of dual voltage rated units.
 See performance correction tables for operating conditions other than those listed above.
 See Performance Data Selection Notes for operation in shaded areas.

Performance Data – Full Load 120 VFD

4,000 CFM Nominal Airflow Heating & Cooling

EWT °F	WATER / BRINE			COOLING - EAT 80/67 °F					HEATING - EAT 70°F				
	FLOW gpm	PD psi	PD ft.	TC	SC	KW	HR	EER	HC	KW	HE	LAT	COP
20	30.0	16.0	36.9	Operation Not Recommended					87.0	8.83	56.9	88.1	2.9
30	15.0	4.0	9.2	140.7	100.2	6.37	162.5	22.1	96.0	9.08	65.0	90.2	3.1
	22.5	8.6	19.9	137.6	98.5	6.07	158.3	22.7	100.5	9.19	69.1	91.2	3.2
	30.0	14.5	33.4	135.2	97.1	5.94	155.5	22.7	103.0	9.26	71.4	91.8	3.3
40	15.0	3.5	8.0	141.6	101.0	6.85	165.0	20.7	111.0	9.46	78.7	93.6	3.4
	22.5	7.7	17.8	141.4	100.7	6.50	163.6	21.8	116.6	9.60	83.9	94.9	3.6
	30.0	13.0	30.0	140.6	100.1	6.34	162.2	22.2	119.7	9.67	86.7	95.7	3.6
50	15.0	3.2	7.4	139.3	100.4	7.42	164.6	18.8	126.4	9.83	92.8	97.2	3.8
	22.5	7.2	16.6	141.3	101.0	7.00	165.2	20.2	133.2	9.99	99.1	98.8	3.9
	30.0	12.2	28.3	141.7	101.0	6.81	164.9	20.8	137.0	10.08	102.6	99.6	4.0
60	15.0	2.4	5.5	134.8	98.6	8.06	162.3	16.7	142.0	10.20	107.2	100.8	4.1
	22.5	5.8	13.4	138.2	100.0	7.59	164.1	18.2	149.9	10.38	114.5	102.6	4.2
	30.0	10.2	23.6	139.6	100.4	7.37	164.7	18.9	154.3	10.48	118.6	103.6	4.3
70	15.0	2.2	5.1	128.8	96.2	8.79	158.8	14.6	157.7	10.56	121.7	104.4	4.4
	22.5	5.5	12.7	133.1	98.0	8.27	161.4	16.1	166.6	10.77	129.9	106.5	4.5
	30.0	9.8	22.6	135.1	98.8	8.02	162.5	16.9	171.5	10.88	134.4	107.6	4.6
80	15.0	2.1	4.7	121.9	93.3	9.62	154.7	12.7	173.2	10.92	135.9	108.0	4.6
	22.5	5.2	12.0	126.7	95.3	9.04	157.5	14.0	182.9	11.16	144.8	110.2	4.8
	30.0	9.4	21.7	129.0	96.3	8.76	158.9	14.7	188.1	11.29	149.6	111.4	4.9
90	15.0	2.0	4.5	114.7	90.2	10.57	150.7	10.9	188.3	11.29	149.8	111.5	4.9
	22.5	5.1	11.7	119.5	92.3	9.92	153.4	12.0	198.5	11.56	159.1	113.8	5.0
	30.0	9.2	21.2	122.0	93.3	9.61	154.8	12.7	203.9	11.71	163.9	115.1	5.1
100	15.0	1.9	4.3	107.7	87.3	11.63	147.4	9.3	Operation Not Recommended				
	22.5	4.9	11.4	112.2	89.2	10.92	149.5	10.3					
	30.0	9.0	20.8	114.6	90.2	10.58	150.7	10.8					
110	15.0	1.8	4.1	101.6	84.9	12.85	145.4	7.9					
	22.5	4.8	11.1	105.4	86.3	12.05	146.5	8.7					
	30.0	8.8	20.4	107.5	87.2	11.67	147.3	9.2					
120	15.0	1.7	3.9	97.0	83.8	14.25	145.6	6.8					
	22.5	4.7	10.8	99.7	84.3	13.34	145.2	7.5					
	30.0	8.6	19.9	101.3	84.9	12.91	145.4	7.8					

Interpolation is permissible, extrapolation is not.
 All entering air conditions are 80°F DB and 67°F WB in cooling and 70°F DB in heating.
 All performance data is based upon the lower voltage of dual voltage rated units.
 See performance correction tables for operating conditions other than those listed above.
 See Performance Data Selection Notes for operation in shaded areas.

Performance Data – Part Load 120 VFD

2,000 CFM Nominal Airflow Heating & Cooling

EWT °F	WATER / BRINE			COOLING - EAT 80/67 °F					HEATING - EAT 70°F				
	FLOW gpm	PD psi	PD ft.	TC	SC	KW	HR	EER	HC	KW	HE	LAT	COP
20	30.0	16.0	36.9	Operation Not Recommended					39.1	3.93	25.7	86.1	2.9
30	15.0	4.0	9.2	67.9	50.8	2.54	76.5	26.7	45.3	4.08	31.4	88.9	3.3
	22.5	8.6	19.9	67.0	50.2	2.48	75.5	27.0	46.4	4.11	32.4	89.4	3.3
	30.0	14.5	33.4	66.5	49.9	2.45	74.9	27.1	47.0	4.13	32.9	89.7	3.3
40	15.0	3.5	8.0	69.0	51.7	2.76	78.4	25.0	53.1	4.28	38.5	92.5	3.6
	22.5	7.7	17.8	68.8	51.5	2.68	78.0	25.7	54.5	4.32	39.7	93.2	3.7
	30.0	13.0	30.0	68.7	51.4	2.64	77.7	26.0	55.2	4.34	40.4	93.5	3.7
50	15.0	3.2	7.4	68.4	51.6	3.03	78.7	22.5	61.1	4.49	45.8	96.2	4.0
	22.5	7.2	16.6	68.7	51.7	2.93	78.7	23.4	62.8	4.53	47.3	97.0	4.1
	30.0	12.2	28.3	68.9	51.7	2.88	78.7	23.9	63.6	4.55	48.1	97.4	4.1
60	15.0	2.4	5.5	66.5	50.8	3.36	77.9	19.8	69.1	4.69	53.1	99.9	4.3
	22.5	5.8	13.4	67.2	51.2	3.24	78.3	20.7	71.1	4.74	54.9	100.8	4.4
	30.0	10.2	23.6	67.6	51.3	3.18	78.4	21.2	72.1	4.77	55.8	101.3	4.4
70	15.0	2.2	5.1	63.7	49.5	3.73	76.4	17.1	77.1	4.89	60.4	103.6	4.6
	22.5	5.5	12.7	64.7	50.0	3.60	77.0	18.0	79.3	4.95	62.4	104.6	4.7
	30.0	9.8	22.6	65.2	50.2	3.53	77.3	18.5	80.4	4.98	63.4	105.1	4.7
80	15.0	2.1	4.7	60.4	47.9	4.15	74.6	14.6	84.8	5.09	67.4	107.2	4.9
	22.5	5.2	12.0	61.6	48.5	4.00	75.2	15.4	87.1	5.15	69.5	108.2	5.0
	30.0	9.4	21.7	62.1	48.8	3.93	75.5	15.8	88.3	5.17	70.6	108.8	5.0
90	15.0	2.0	4.5	57.0	46.2	4.61	72.8	12.4	92.1	5.27	74.1	110.5	5.1
	22.5	5.1	11.7	58.1	46.7	4.46	73.3	13.0	94.4	5.32	76.3	111.6	5.2
	30.0	9.2	21.2	58.7	47.0	4.38	73.7	13.4	95.6	5.35	77.4	112.2	5.2
100	15.0	1.9	4.3	53.8	44.5	5.12	71.3	10.5	Operation Not Recommended				
	22.5	4.9	11.4	54.8	45.0	4.96	71.7	11.1					
	30.0	9.0	20.8	55.3	45.3	4.87	71.9	11.3					
110	15.0	1.8	4.1	51.1	43.2	5.68	70.5	9.0					
	22.5	4.8	11.1	51.9	43.6	5.50	70.6	9.4					
	30.0	8.8	20.4	52.3	43.8	5.41	70.8	9.7					
120	15.0	1.7	3.9	49.3	42.6	6.29	70.8	7.8					
	22.5	4.7	10.8	49.8	42.7	6.09	70.6	8.2					
	30.0	8.6	19.9	50.0	42.8	6.00	70.5	8.3					

Interpolation is permissible, extrapolation is not.
 All entering air conditions are 80°F DB and 67°F WB in cooling and 70°F DB in heating.
 All performance data is based upon the lower voltage of dual voltage rated units.
 See performance correction tables for operating conditions other than those listed above.
 See Performance Data Selection Notes for operation in shaded areas.

Performance Data – Full Load 160 VFD

5,600 CFM Nominal Airflow Heating & Cooling

EWT °F	WATER / BRINE			COOLING - EAT 80/67 °F					HEATING - EAT 70°F				
	FLOW gpm	PD psi	PD ft.	TC	SC	KW	HR	EER	HC	KW	HE	LAT	COP
20	42.0	10.6	24.6	Operation Not Recommended					107.8	10.28	72.7	85.8	3.1
30	21.0	3.3	7.6	166.5	121.7	7.99	193.7	20.8	119.0	10.55	83.0	87.6	3.3
	31.5	6.2	14.3	160.4	118.9	7.55	186.1	21.3	124.1	10.67	87.7	88.5	3.4
	42.0	9.7	22.3	156.7	117.1	7.34	181.8	21.4	126.9	10.74	90.3	88.9	3.5
40	21.0	2.8	6.4	172.1	124.1	8.74	201.9	19.7	138.0	11.02	100.4	90.8	3.7
	31.5	5.2	12.1	169.2	122.9	8.27	197.4	20.5	144.7	11.19	106.6	91.9	3.8
	42.0	8.3	19.2	167.1	122.0	8.04	194.5	20.8	148.5	11.28	110.0	92.5	3.9
50	21.0	1.9	4.4	173.1	124.5	9.51	205.6	18.2	158.3	11.54	119.0	94.1	4.0
	31.5	4.0	9.1	172.9	124.5	9.01	203.7	19.2	166.7	11.75	126.6	95.5	4.2
	42.0	6.6	15.2	172.2	124.2	8.77	202.1	19.6	171.3	11.88	130.8	96.3	4.2
60	21.0	1.8	4.2	170.7	123.6	10.33	205.9	16.5	179.3	12.09	138.1	97.6	4.3
	31.5	3.8	8.8	172.6	124.3	9.79	206.0	17.6	189.0	12.35	146.9	99.2	4.5
	42.0	6.4	14.7	173.1	124.5	9.53	205.6	18.2	194.3	12.50	151.7	100.1	4.6
70	21.0	1.7	4.0	165.5	121.7	11.21	203.8	14.8	200.1	12.66	156.9	101.0	4.6
	31.5	3.6	8.4	169.1	123.0	10.63	205.4	15.9	210.7	12.96	166.5	102.8	4.8
	42.0	6.1	14.1	170.6	123.6	10.34	205.9	16.5	216.4	13.13	171.6	103.7	4.8
80	21.0	1.7	3.9	158.4	119.0	12.17	199.9	13.0	220.0	13.23	174.8	104.3	4.9
	31.5	3.5	8.1	163.2	120.8	11.54	202.6	14.1	230.8	13.56	184.5	106.1	5.0
	42.0	5.9	13.6	165.3	121.6	11.24	203.7	14.7	236.3	13.74	189.4	107.0	5.0
90	21.0	1.6	3.8	149.8	115.8	13.24	194.9	11.3	238.1	13.80	191.0	107.3	5.1
	31.5	3.4	7.9	155.3	117.9	12.55	198.2	12.4	248.1	14.14	199.9	108.9	5.1
	42.0	5.6	13.0	158.0	118.9	12.22	199.7	12.9	252.9	14.31	204.1	109.7	5.2
100	21.0	1.6	3.6	140.2	112.1	14.42	189.3	9.7	Operation Not Recommended				
	31.5	3.3	7.7	146.1	114.4	13.68	192.8	10.7					
	42.0	5.6	12.9	149.1	115.5	13.32	194.5	11.2					
110	21.0	1.5	3.5	130.0	108.1	15.74	183.7	8.3					
	31.5	3.2	7.4	136.1	110.5	14.94	187.0	9.1					
	42.0	5.5	12.7	139.1	111.7	14.54	188.8	9.6					
120	21.0	1.4	3.2	119.8	104.0	17.22	178.6	7.0					
	31.5	3.1	7.2	125.7	106.4	16.34	181.5	7.7					
	42.0	5.4	12.4	128.7	107.6	15.92	183.0	8.1					

Interpolation is permissible, extrapolation is not.
 All entering air conditions are 80°F DB and 67°F WB in cooling and 70°F DB in heating.
 All performance data is based upon the lower voltage of dual voltage rated units.
 See performance correction tables for operating conditions other than those listed above.
 See Performance Data Selection Notes for operation in shaded areas.

Performance Data – Part Load 160 VFD

2,800 CFM Nominal Airflow Heating & Cooling

EWT °F	WATER / BRINE			COOLING - EAT 80/67 °F					HEATING - EAT 70°F				
	FLOW gpm	PD psi	PD ft.	TC	SC	KW	HR	EER	HC	KW	HE	LAT	COP
20	42.0	10.6	24.6	Operation Not Recommended					50.5	4.85	34.0	84.7	3.1
30	21.0	3.3	7.6	85.5	63.2	3.55	97.5	24.1	57.6	5.01	40.5	87.0	3.4
	31.5	6.2	14.3	84.5	62.6	3.43	96.2	24.7	58.8	5.04	41.6	87.4	3.4
	42.0	9.7	22.3	84.0	62.3	3.37	95.5	24.9	59.4	5.05	42.2	87.6	3.4
40	21.0	2.8	6.4	87.1	64.2	3.92	100.5	22.2	67.2	5.23	49.3	90.2	3.8
	31.5	5.2	12.1	86.8	64.0	3.80	99.8	22.8	68.8	5.27	50.8	90.7	3.8
	42.0	8.3	19.2	86.6	63.8	3.75	99.3	23.1	69.6	5.29	51.6	91.0	3.9
50	21.0	1.9	4.4	86.9	64.3	4.30	101.6	20.2	77.4	5.48	58.7	93.5	4.1
	31.5	4.0	9.1	87.1	64.4	4.18	101.4	20.9	79.5	5.54	60.6	94.2	4.2
	42.0	6.6	15.2	87.2	64.4	4.12	101.2	21.2	80.5	5.56	61.5	94.6	4.2
60	21.0	1.8	4.2	85.3	63.8	4.68	101.2	18.2	88.0	5.76	68.3	97.0	4.5
	31.5	3.8	8.8	85.9	64.0	4.56	101.5	18.9	90.3	5.82	70.5	97.8	4.5
	42.0	6.4	14.7	86.2	64.1	4.49	101.5	19.2	91.5	5.85	71.6	98.2	4.6
70	21.0	1.7	4.0	82.5	62.7	5.10	99.9	16.2	98.3	6.04	77.7	100.4	4.8
	31.5	3.6	8.4	83.5	63.1	4.96	100.4	16.8	100.9	6.11	80.0	101.3	4.8
	42.0	6.1	14.1	83.9	63.3	4.89	100.6	17.1	102.2	6.15	81.2	101.7	4.9
80	21.0	1.7	3.9	78.8	61.1	5.55	97.8	14.2	108.0	6.32	86.4	103.6	5.0
	31.5	3.5	8.1	80.1	61.6	5.41	98.5	14.8	110.6	6.40	88.7	104.5	5.1
	42.0	5.9	13.6	80.6	61.9	5.33	98.8	15.1	111.8	6.44	89.9	104.9	5.1
90	21.0	1.6	3.8	74.6	59.2	6.07	95.3	12.3	116.6	6.60	94.0	106.5	5.2
	31.5	3.4	7.9	76.0	59.8	5.90	96.1	12.9	118.9	6.68	96.1	107.2	5.2
	42.0	5.6	13.0	76.6	60.1	5.82	96.5	13.2	120.0	6.72	97.0	107.6	5.2
100	21.0	1.6	3.6	70.1	57.0	6.65	92.8	10.5	Operation Not Recommended				
	31.5	3.3	7.7	71.5	57.7	6.47	93.5	11.0					
	42.0	5.6	12.9	72.2	58.0	6.38	93.9	11.3					
110	21.0	1.5	3.5	65.5	54.7	7.32	90.4	8.9					
	31.5	3.2	7.4	66.8	55.4	7.12	91.1	9.4					
	42.0	5.5	12.7	67.5	55.7	7.02	91.4	9.6					
120	21.0	1.4	3.2	61.0	52.5	8.09	88.6	7.5					
	31.5	3.1	7.2	62.2	53.1	7.86	89.1	7.9					
	42.0	5.4	12.4	62.9	53.4	7.75	89.3	8.1					

Interpolation is permissible, extrapolation is not.
 All entering air conditions are 80°F DB and 67°F WB in cooling and 70°F DB in heating.
 All performance data is based upon the lower voltage of dual voltage rated units.
 See performance correction tables for operating conditions other than those listed above.
 See Performance Data Selection Notes for operation in shaded areas.

Performance Data – Full Load 192 VFD

6,400 CFM Nominal Airflow Heating & Cooling

EWT °F	WATER / BRINE			COOLING - EAT 80/67 °F					HEATING - EAT 70°F				
	FLOW gpm	PD psi	PD ft.	TC	SC	KW	HR	EER	HC	KW	HE	LAT	COP
20	48.0	14.1	32.5	Operation Not Recommended					120.8	11.74	80.7	85.4	3.0
30	24.0	4.4	10.1	202.5	146.9	9.73	235.7	20.8	134.5	11.94	93.8	87.4	3.3
	36.0	8.1	18.6	188.4	138.8	8.83	218.5	21.3	140.7	12.05	99.6	88.3	3.4
	48.0	12.4	28.7	179.8	133.7	8.38	208.4	21.5	144.3	12.12	102.9	88.8	3.5
40	24.0	3.8	8.8	213.5	153.1	10.88	250.7	19.6	158.2	12.42	115.8	90.8	3.7
	36.0	7.0	16.1	207.5	149.7	10.14	242.1	20.5	167.0	12.62	123.9	92.1	3.9
	48.0	10.8	25.0	202.8	147.1	9.75	236.0	20.8	172.0	12.74	128.5	92.8	4.0
50	24.0	3.3	7.6	214.9	154.1	11.84	255.2	18.2	184.3	13.05	139.8	94.6	4.1
	36.0	5.5	12.6	214.7	153.8	11.18	252.9	19.2	195.6	13.35	150.0	96.2	4.3
	48.0	8.8	20.2	213.3	152.9	10.84	250.3	19.7	202.0	13.51	155.8	97.1	4.4
60	24.0	2.8	6.5	210.1	151.9	12.71	253.5	16.5	211.5	13.77	164.5	98.5	4.5
	36.0	5.2	12.1	214.0	153.7	12.09	255.3	17.7	224.9	14.14	176.7	100.5	4.7
	48.0	8.4	19.5	215.0	154.1	11.78	255.2	18.3	232.3	14.35	183.4	101.5	4.7
70	24.0	2.7	6.2	201.5	147.9	13.58	247.8	14.8	238.7	14.53	189.1	102.4	4.8
	36.0	5.0	11.6	207.8	150.9	12.96	252.1	16.0	253.4	14.95	202.4	104.6	5.0
	48.0	8.1	18.8	210.5	152.1	12.66	253.7	16.6	261.3	15.17	209.6	105.7	5.0
80	24.0	2.6	6.1	190.7	142.7	14.53	240.2	13.1	264.5	15.26	212.4	106.2	5.1
	36.0	4.9	11.4	198.2	146.3	13.87	245.5	14.3	279.4	15.69	225.9	108.3	5.2
	48.0	8.0	18.4	201.8	148.0	13.55	248.1	14.9	287.0	15.90	232.8	109.4	5.3
90	24.0	2.5	5.9	178.9	137.1	15.62	232.2	11.5	287.7	15.92	233.4	109.5	5.3
	36.0	4.8	11.1	186.7	140.8	14.88	237.5	12.5	301.1	16.28	245.6	111.5	5.4
	48.0	7.7	17.7	190.7	142.7	14.53	240.2	13.1	307.3	16.43	251.2	112.4	5.5
100	24.0	2.5	5.7	167.6	131.7	16.92	225.4	9.9	Operation Not Recommended				
	36.0	4.6	10.7	174.7	135.1	16.06	229.5	10.9					
	48.0	7.5	17.4	178.6	136.9	15.66	232.0	11.4					
110	24.0	2.4	5.5	158.1	127.8	18.53	221.3	8.5					
	36.0	4.5	10.5	163.7	130.0	17.49	223.4	9.4					
	48.0	7.4	17.0	167.0	131.4	17.01	225.0	9.8					
120	24.0	2.3	5.3	152.0	126.5	20.57	222.2	7.4					
	36.0	4.3	9.9	155.2	126.8	19.26	220.9	8.1					
	48.0	7.3	16.8	157.5	127.5	18.67	221.2	8.4					

Interpolation is permissible, extrapolation is not.
 All entering air conditions are 80°F DB and 67°F WB in cooling and 70°F DB in heating.
 All performance data is based upon the lower voltage of dual voltage rated units.
 See performance correction tables for operating conditions other than those listed above.
 See Performance Data Selection Notes for operation in shaded areas.

Performance Data – Part Load 192 VFD

3,200 CFM Nominal Airflow Heating & Cooling

EWT °F	WATER / BRINE			COOLING - EAT 80/67 °F					HEATING - EAT 70°F				
	FLOW gpm	PD psi	PD ft.	TC	SC	KW	HR	EER	HC	KW	HE	LAT	COP
20	48.0	14.1	32.5	Operation Not Recommended					58.5	5.48	39.8	84.9	3.1
30	24.0	4.4	10.1	98.7	74.0	3.93	112.2	25.1	67.6	5.67	48.2	87.5	3.5
	36.0	8.1	18.6	95.2	72.2	3.69	107.8	25.8	69.2	5.71	49.7	88.0	3.6
	48.0	12.4	28.7	93.3	71.2	3.57	105.5	26.2	70.0	5.72	50.5	88.2	3.6
40	24.0	3.8	8.8	106.0	77.4	4.60	121.7	23.0	79.4	5.93	59.1	90.9	3.9
	36.0	7.0	16.1	104.3	76.7	4.40	119.3	23.7	81.4	5.97	61.0	91.5	4.0
	48.0	10.8	25.0	103.2	76.2	4.30	117.9	24.0	82.5	6.00	62.0	91.8	4.0
50	24.0	3.3	7.6	107.8	78.1	5.13	125.3	21.0	91.7	6.20	70.5	94.5	4.3
	36.0	5.5	12.6	107.7	78.1	4.96	124.6	21.7	94.2	6.26	72.9	95.2	4.4
	48.0	8.8	20.2	107.4	78.0	4.87	124.0	22.1	95.6	6.29	74.1	95.6	4.5
60	24.0	2.8	6.5	105.9	77.2	5.58	124.9	19.0	104.3	6.49	82.1	98.1	4.7
	36.0	5.2	12.1	106.9	77.6	5.42	125.4	19.7	107.3	6.57	84.9	99.0	4.8
	48.0	8.4	19.5	107.3	77.8	5.35	125.5	20.1	108.8	6.61	86.3	99.4	4.8
70	24.0	2.7	6.2	101.5	75.2	6.00	122.0	16.9	116.9	6.81	93.7	101.7	5.0
	36.0	5.0	11.6	103.2	75.9	5.85	123.2	17.6	120.2	6.89	96.7	102.7	5.1
	48.0	8.1	18.8	104.0	76.3	5.78	123.8	18.0	122.0	6.94	98.3	103.2	5.2
80	24.0	2.6	6.1	95.6	72.5	6.45	117.7	14.8	129.2	7.14	104.8	105.3	5.3
	36.0	4.9	11.4	97.7	73.4	6.30	119.2	15.5	132.8	7.24	108.1	106.3	5.4
	48.0	8.0	18.4	98.7	73.9	6.22	119.9	15.9	134.6	7.30	109.7	106.9	5.4
90	24.0	2.5	5.9	89.1	69.6	6.98	112.9	12.8	140.9	7.49	115.4	108.7	5.5
	36.0	4.8	11.1	91.2	70.5	6.80	114.4	13.4	144.6	7.61	118.6	109.7	5.6
	48.0	7.7	17.7	92.3	71.0	6.71	115.2	13.7	146.4	7.67	120.3	110.3	5.6
100	24.0	2.5	5.7	82.8	66.8	7.61	108.7	10.9	Operation Not Recommended				
	36.0	4.6	10.7	84.6	67.6	7.40	109.9	11.4					
	48.0	7.5	17.4	85.6	68.0	7.30	110.5	11.7					
110	24.0	2.4	5.5	77.5	64.7	8.42	106.2	9.2					
	36.0	4.5	10.5	78.9	65.2	8.16	106.7	9.7					
	48.0	7.4	17.0	79.6	65.5	8.04	107.1	9.9					
120	24.0	2.3	5.3	74.2	64.2	9.45	106.4	7.8					
	36.0	4.3	9.9	74.9	64.2	9.12	106.0	8.2					
	48.0	7.3	16.8	75.3	64.2	8.96	106.0	8.4					

Interpolation is permissible, extrapolation is not.
 All entering air conditions are 80°F DB and 67°F WB in cooling and 70°F DB in heating.
 All performance data is based upon the lower voltage of dual voltage rated units.
 See performance correction tables for operating conditions other than those listed above.
 See Performance Data Selection Notes for operation in shaded areas.

Performance Data – Full Load 240 VFD

8,000 CFM Nominal Airflow Heating & Cooling

EWT °F	WATER / BRINE			COOLING - EAT 80/67 °F					HEATING - EAT 70°F				
	FLOW gpm	PD psi	PD ft.	TC	SC	KW	HR	EER	HC	KW	HE	LAT	COP
20	60.0	11.4	26.4	Operation Not Recommended					165.7	16.06	110.8	87.1	3.0
30	30.0	3.6	8.3	256.0	190.8	13.09	300.6	19.6	180.5	16.26	125.1	88.8	3.3
	45.0	6.7	15.5	243.2	191.0	12.57	286.1	19.4	188.2	16.38	132.3	89.7	3.4
	60.0	10.6	24.4	234.9	190.5	12.33	277.0	19.0	192.5	16.46	136.4	90.2	3.4
40	30.0	3.4	7.8	264.7	189.3	13.97	312.3	18.9	208.5	16.75	151.3	92.1	3.6
	45.0	6.3	14.5	260.1	190.3	13.37	305.7	19.5	219.3	16.97	161.4	93.3	3.8
	60.0	9.3	21.4	256.0	190.8	13.09	300.7	19.6	225.5	17.10	167.2	94.0	3.9
50	30.0	2.9	6.6	263.7	187.9	14.93	314.6	17.7	240.0	17.40	180.6	95.7	4.0
	45.0	4.8	11.1	265.2	188.8	14.25	313.9	18.6	254.1	17.71	193.6	97.3	4.2
	60.0	7.7	17.8	264.5	189.3	13.94	312.1	19.0	262.0	17.88	201.0	98.3	4.3
60	30.0	2.5	5.8	256.3	186.3	15.99	310.8	16.0	273.4	18.14	211.5	99.6	4.4
	45.0	4.7	10.7	262.0	187.4	15.24	314.0	17.2	290.3	18.52	227.1	101.5	4.6
	60.0	7.5	17.3	263.9	187.9	14.88	314.7	17.7	299.7	18.74	235.8	102.6	4.7
70	30.0	2.4	5.6	244.6	183.9	17.17	303.2	14.2	307.1	18.90	242.6	103.5	4.8
	45.0	4.5	10.4	253.0	185.6	16.35	308.7	15.5	326.1	19.33	260.1	105.7	4.9
	60.0	7.3	16.8	256.6	186.3	15.95	311.0	16.1	336.3	19.56	269.6	106.8	5.0
80	30.0	2.4	5.5	230.5	179.9	18.50	293.6	12.5	339.8	19.64	272.8	107.2	5.1
	45.0	4.4	10.2	240.1	182.7	17.60	300.1	13.6	359.4	20.07	291.0	109.5	5.2
	60.0	7.1	16.5	244.7	183.9	17.16	303.3	14.3	369.6	20.28	300.4	110.7	5.3
90	30.0	2.3	5.3	215.3	174.3	20.00	283.6	10.8	369.8	20.29	300.6	110.7	5.3
	45.0	4.3	9.9	225.1	178.1	19.01	290.0	11.8	388.2	20.64	317.7	112.8	5.5
	60.0	6.9	15.9	230.1	179.8	18.54	293.4	12.4	396.8	20.79	325.9	113.8	5.6
100	30.0	2.3	5.2	200.5	166.9	21.70	274.6	9.2	Operation Not Recommended				
	45.0	4.2	9.7	209.6	171.7	20.62	279.9	10.2					
	60.0	6.8	15.7	214.4	173.9	20.09	283.0	10.7					
110	30.0	2.2	5.1	187.6	158.5	23.64	268.3	7.9					
	45.0	4.1	9.5	195.1	163.7	22.44	271.6	8.7					
	60.0	6.7	15.4	199.3	166.2	21.86	273.9	9.1					
120	30.0	2.2	5.0	178.3	149.8	25.90	266.7	6.9					
	45.0	4.0	9.3	183.3	154.9	24.52	266.9	7.5					
	60.0	6.6	15.1	186.4	157.5	23.88	267.8	7.8					

Interpolation is permissible, extrapolation is not.
 All entering air conditions are 80°F DB and 67°F WB in cooling and 70°F DB in heating.
 All performance data is based upon the lower voltage of dual voltage rated units.
 See performance correction tables for operating conditions other than those listed above.
 See Performance Data Selection Notes for operation in shaded areas.

Performance Data – Part Load 240 VFD

8,000 CFM Nominal Airflow Heating & Cooling

EWT °F	WATER / BRINE			COOLING - EAT 80/67 °F					HEATING - EAT 70°F				
	FLOW gpm	PD psi	PD ft.	TC	SC	KW	HR	EER	HC	KW	HE	LAT	COP
20	60.0	11.4	26.4	Operation Not Recommended					76.8	7.63	50.7	85.7	2.9
30	30.0	3.6	8.3	131.7	96.3	5.42	150.2	24.3	88.7	7.94	61.7	88.5	3.3
	45.0	6.7	15.5	130.2	95.6	5.30	148.3	24.6	90.8	7.98	63.6	89.0	3.3
	60.0	10.6	24.4	129.3	95.2	5.25	147.2	24.7	92.0	8.01	64.6	89.2	3.4
40	30.0	3.4	7.8	133.6	97.1	5.81	153.4	23.0	104.0	8.25	75.9	92.0	3.7
	45.0	6.3	14.5	133.3	97.0	5.67	152.7	23.5	106.8	8.30	78.5	92.7	3.8
	60.0	9.3	21.4	133.1	96.9	5.61	152.2	23.7	108.3	8.33	79.9	93.0	3.8
50	30.0	2.9	6.6	132.4	96.5	6.25	153.8	21.2	120.1	8.53	91.0	95.7	4.1
	45.0	4.8	11.1	133.1	96.8	6.09	153.9	21.8	123.5	8.58	94.3	96.5	4.2
	60.0	7.7	17.8	133.4	97.0	6.02	153.9	22.2	125.3	8.61	96.0	96.9	4.3
60	30.0	2.5	5.8	128.9	95.0	6.75	151.9	19.1	136.5	8.79	106.5	99.5	4.6
	45.0	4.7	10.7	130.3	95.6	6.57	152.7	19.8	140.5	8.85	110.3	100.4	4.7
	60.0	7.5	17.3	131.0	95.9	6.49	153.1	20.2	142.6	8.88	112.3	100.9	4.7
70	30.0	2.4	5.6	123.7	92.6	7.32	148.6	16.9	152.8	9.04	121.9	103.3	4.9
	45.0	4.5	10.4	125.6	93.5	7.12	149.9	17.6	157.3	9.12	126.1	104.3	5.1
	60.0	7.3	16.8	126.5	93.9	7.02	150.4	18.0	159.6	9.16	128.4	104.9	5.1
80	30.0	2.4	5.5	117.3	89.7	7.97	144.5	14.7	168.6	9.32	136.8	106.9	5.3
	45.0	4.4	10.2	119.4	90.7	7.75	145.9	15.4	173.4	9.41	141.3	108.1	5.4
	60.0	7.1	16.5	120.5	91.2	7.64	146.6	15.8	175.9	9.46	143.6	108.6	5.4
90	30.0	2.3	5.3	110.3	86.4	8.70	140.0	12.7	183.6	9.63	150.8	110.4	5.6
	45.0	4.3	9.9	112.5	87.5	8.46	141.4	13.3	188.5	9.75	155.3	111.5	5.7
	60.0	6.9	15.9	113.6	88.0	8.34	142.1	13.6	191.0	9.82	157.5	112.1	5.7
100	30.0	2.3	5.2	103.2	83.1	9.54	135.8	10.8	Operation Not Recommended				
	45.0	4.2	9.7	105.4	84.1	9.28	137.0	11.4					
	60.0	6.8	15.7	106.4	84.6	9.14	137.6	11.6					
110	30.0	2.2	5.1	96.6	79.9	10.50	132.4	9.2					
	45.0	4.1	9.5	98.5	80.8	10.20	133.3	9.7					
	60.0	6.7	15.4	99.5	81.3	10.06	133.8	9.9					
120	30.0	2.2	5.0	91.0	77.4	11.59	130.5	7.9					
	45.0	4.0	9.3	92.5	78.0	11.26	130.9	8.2					
	60.0	6.6	15.1	93.3	78.4	11.09	131.1	8.4					

Interpolation is permissible, extrapolation is not.
 All entering air conditions are 80°F DB and 67°F WB in cooling and 70°F DB in heating.
 All performance data is based upon the lower voltage of dual voltage rated units.
 See performance correction tables for operating conditions other than those listed above.
 See Performance Data Selection Notes for operation in shaded areas.

Performance Data – Full Load 300 VFD

10,000 CFM Nominal Airflow Heating & Cooling

EWT °F	WATER / BRINE			COOLING - EAT 80/67 °F					HEATING - EAT 70°F				
	FLOW gpm	PD psi	PD ft.	TC	SC	KW	HR	EER	HC	KW	HE	LAT	COP
20	75.0	15.7	36.3	Operation Not Recommended					213.4	21.40	140.4	87.7	2.9
30	37.5	5.0	11.6	332.4	237.5	17.24	391.2	19.3	231.2	21.85	156.6	89.4	3.1
	56.25	9.2	21.3	316.2	231.8	16.55	372.7	19.1	240.7	22.07	165.4	90.2	3.2
	75.0	14.3	32.9	305.7	227.6	16.23	361.1	18.8	246.2	22.20	170.5	90.7	3.3
40	37.5	4.7	10.8	343.5	240.4	18.35	406.1	18.7	266.5	22.65	189.2	92.6	3.4
	56.25	7.8	18.0	337.5	239.0	17.58	397.5	19.2	280.4	22.95	202.1	93.9	3.6
	75.0	13.1	30.2	332.2	237.4	17.23	391.0	19.3	288.3	23.12	209.4	94.6	3.7
50	37.5	3.4	7.9	342.5	239.0	19.53	409.1	17.5	306.4	23.51	226.2	96.3	3.8
	56.25	5.9	13.6	344.2	240.3	18.69	408.0	18.4	323.9	23.88	242.4	97.9	4.0
	75.0	9.6	22.3	343.2	240.4	18.29	405.7	18.8	333.6	24.10	251.4	98.8	4.1
60	37.5	2.9	6.6	333.3	235.0	20.83	404.4	16.0	347.2	24.40	264.0	100.1	4.2
	56.25	5.7	13.1	340.5	238.0	19.91	408.4	17.1	366.7	24.85	281.9	101.9	4.3
	75.0	9.3	21.5	342.8	239.1	19.46	409.2	17.6	377.0	25.10	291.4	102.8	4.4
70	37.5	2.8	6.4	318.6	229.2	22.28	394.6	14.3	385.4	25.31	299.1	103.6	4.5
	56.25	5.5	12.6	329.2	233.4	21.26	401.8	15.5	404.0	25.82	315.9	105.3	4.6
	75.0	9.0	20.8	333.8	235.2	20.77	404.7	16.1	412.9	26.09	323.8	106.1	4.6
80	37.5	2.7	6.2	300.4	222.2	23.90	381.9	12.6	426.5	26.22	337.0	107.4	4.8
	56.25	5.3	12.3	312.9	227.0	22.78	390.7	13.7	439.9	26.75	348.6	108.6	4.8
	75.0	8.8	20.4	318.9	229.4	22.24	394.8	14.3	444.3	27.01	352.1	109.0	4.8
90	37.5	2.6	5.9	280.5	214.3	25.72	368.3	10.9	489.3	27.10	396.9	113.2	5.3
	56.25	5.1	11.8	293.6	219.5	24.51	377.2	12.0	489.1	27.59	395.0	113.2	5.2
	75.0	8.5	19.6	300.2	222.1	23.91	381.8	12.6	483.8	27.80	388.9	112.7	5.1
100	37.5	2.5	5.8	260.5	206.2	27.80	355.4	9.4	Operation Not Recommended				
	56.25	5.0	11.6	273.0	211.3	26.46	363.3	10.3					
	75.0	8.4	19.3	279.6	213.9	25.81	367.6	10.8					
110	37.5	2.4	5.5	242.2	198.9	30.19	345.2	8.0					
	56.25	4.9	11.3	253.0	203.2	28.70	351.0	8.8					
	75.0	7.8	18.1	259.0	205.6	27.98	354.5	9.3					
120	37.5	2.2	5.2	227.2	193.8	32.96	339.7	6.9					
	56.25	4.9	11.4	235.5	196.5	31.27	342.2	7.5					
	75.0	7.3	16.9	240.4	198.3	30.46	344.3	7.9					

Interpolation is permissible, extrapolation is not.
 All entering air conditions are 80°F DB and 67°F WB in cooling and 70°F DB in heating.
 All performance data is based upon the lower voltage of dual voltage rated units.
 See performance correction tables for operating conditions other than those listed above.
 See Performance Data Selection Notes for operation in shaded areas.

Performance Data – Part Load 300 VFD

5,000 CFM Nominal Airflow Heating & Cooling

EWT °F	WATER / BRINE			COOLING - EAT 80/67 °F					HEATING - EAT 70°F				
	FLOW gpm	PD psi	PD ft.	TC	SC	KW	HR	EER	HC	KW	HE	LAT	COP
20	75.0	15.7	36.3	Operation Not Recommended					97.4	9.54	64.9	86.0	3.0
30	37.5	5.0	11.6	164.1	117.7	6.99	188.0	23.5	111.6	9.86	78.0	88.6	3.3
	56.25	9.2	21.3	161.4	115.4	6.81	184.6	23.7	114.2	9.91	80.4	89.1	3.4
	75.0	14.3	32.9	159.8	114.1	6.72	182.7	23.8	115.5	9.94	81.6	89.3	3.4
40	37.5	4.7	10.8	168.6	121.9	7.56	194.4	22.3	129.8	10.22	95.0	92.0	3.7
	56.25	7.8	18.0	167.7	120.9	7.36	192.8	22.8	133.1	10.28	98.0	92.6	3.8
	75.0	13.1	30.2	167.0	120.3	7.27	191.8	23.0	134.8	10.31	99.6	92.9	3.8
50	37.5	3.4	7.9	168.3	122.4	8.18	196.2	20.6	148.7	10.57	112.6	95.5	4.1
	56.25	5.9	13.6	168.9	122.6	7.96	196.0	21.2	152.6	10.65	116.3	96.2	4.2
	75.0	9.6	22.3	169.0	122.5	7.85	195.8	21.5	154.7	10.68	118.2	96.6	4.2
60	37.5	2.9	6.6	164.4	120.5	8.85	194.6	18.6	167.8	10.94	130.4	99.0	4.5
	56.25	5.7	13.1	166.1	121.4	8.61	195.5	19.3	172.3	11.03	134.7	99.8	4.6
	75.0	9.3	21.5	166.8	121.8	8.49	195.8	19.6	174.7	11.08	136.9	100.3	4.6
70	37.5	2.8	6.4	157.9	116.9	9.60	190.6	16.4	186.7	11.33	148.0	102.5	4.8
	56.25	5.5	12.6	160.3	118.3	9.34	192.2	17.2	191.7	11.45	152.7	103.4	4.9
	75.0	9.0	20.8	161.5	118.9	9.21	192.9	17.5	194.3	11.51	155.1	103.9	4.9
80	37.5	2.7	6.2	149.6	112.5	10.44	185.3	14.3	205.0	11.78	164.8	105.9	5.1
	56.25	5.3	12.3	152.5	114.0	10.15	187.1	15.0	210.3	11.92	169.6	106.9	5.2
	75.0	8.8	20.4	153.9	114.8	10.01	188.1	15.4	213.0	12.00	172.1	107.4	5.2
90	37.5	2.6	5.9	140.5	107.7	11.38	179.3	12.3	222.2	12.29	180.2	109.0	5.3
	56.25	5.1	11.8	143.5	109.2	11.07	181.2	13.0	227.5	12.48	184.9	110.0	5.3
	75.0	8.5	19.6	145.0	110.0	10.91	182.2	13.3	230.2	12.58	187.3	110.5	5.4
100	37.5	2.5	5.8	131.2	103.3	12.46	173.7	10.5	Operation Not Recommended				
	56.25	5.0	11.6	134.0	104.6	12.11	175.3	11.1					
	75.0	8.4	19.3	135.5	105.3	11.94	176.2	11.4					
110	37.5	2.4	5.5	122.5	100.0	13.68	169.1	9.0					
	56.25	4.9	11.3	125.0	100.8	13.29	170.3	9.4					
	75.0	7.8	18.1	126.3	101.3	13.10	171.0	9.6					
120	37.5	2.2	5.2	115.2	98.3	15.08	166.7	7.6					
	56.25	4.9	11.4	117.2	98.6	14.64	167.1	8.0					
	75.0	7.3	16.9	118.2	98.8	14.43	167.5	8.2					

Interpolation is permissible, extrapolation is not.
 All entering air conditions are 80°F DB and 67°F WB in cooling and 70°F DB in heating.
 All performance data is based upon the lower voltage of dual voltage rated units.
 See performance correction tables for operating conditions other than those listed above.
 See Performance Data Selection Notes for operation in shaded areas.

HBH/V Performance Data – Correction Tables

Air Flow Correction Table

Percent of Rated Airflow	Total Capacity	Sensible	Power	Heat of Rejection	Heating Capacity	Power	Heat of Extraction
75%	0.962	0.869	0.947	0.959	0.959	1.039	0.962
81%	0.975	0.902	0.960	0.972	0.970	1.024	0.973
88%	0.988	0.934	0.972	0.984	0.981	1.009	0.985
94%	0.994	0.967	0.986	0.992	0.990	1.004	0.992
100%	1.000	1.000	1.000	1.000	1.000	1.000	1.000
106%	1.007	1.028	1.014	1.009	1.010	1.000	1.005
113%	1.014	1.056	1.028	1.017	1.020	1.001	1.010
119%	1.019	1.083	1.046	1.024	1.036	1.008	1.013
125%	1.023	1.109	1.063	1.031	1.051	1.015	1.016

HBH/V072-120 Entering Air Correction Table Cooling

Entering Air WB °F	Total Capacity	Sensible Cooling Capacity Multiplier - Entering DB °F									Power	Heat of Rejection
		60	65	70	75	80	80.6	85	90	95		
50	0.7335	0.8825	*	*	*	*	*	*	*	*	0.9782	0.7834
55	0.8063	0.6757	0.8842	1.1119	*	*	*	*	*	*	0.9836	0.8424
60	0.8830		0.6734	0.8817	1.0918	*	*	*	*	*	0.9900	0.9301
65	0.9774			0.6682	0.8764	1.0885	1.1136	1.2949	*	*	0.9973	0.9981
66.2	0.9851			0.6177	0.8243	1.0357	1.0612	1.2452	*	*	0.9987	0.9879
67	1.0000			0.5842	0.7897	1.0000	1.0262	1.2119	*	*	1.0000	1.0000
70	1.0426				0.6609	0.8688	0.8941	1.0811	1.2916	*	1.0043	1.0420
75	1.1386					0.6517	0.6517	0.8594	1.0695	1.2838	1.0118	1.1128

* = Sensible capacity equals total capacity

AHRI/ISO/ASHRAE 13256-1 uses entering air conditions of Cooling - 80.6°F DB/66.2°F WB, 1 and Heating - 68°F DB/59°F WB entering air temperature

Entering Air Correction Table

Entering Air DB °F	Heating Capacity	Power	Heat of Extraction
50	1.040	0.839	1.101
55	1.030	0.883	1.075
60	1.018	0.920	1.053
65	1.008	0.960	1.026
68	1.001	0.984	1.011
70	1.000	1.000	1.000
75	0.978	1.038	0.979
80	0.968	1.091	0.943

Wet Coil to Dry Coil Conversion Table

Required BHP Multiplier	Required RPM Multiplier	Air Coil Face Velocity
1.00	1.00	240
1.00	1.00	305
0.99	1.00	370
0.99	1.00	435
0.98	1.00	500
0.98	1.00	565

Antifreeze Correction Tables

Antifreeze Correction Table

Antifreeze Type	Antifreeze %	Cooling			Heating		WPD Corr. Fct. EWT 30°F
		EWT 90°F			EWT 30°F		
		Total Cap	Sens Cap	Power	Htg Cap	Power	
Water	0	1.000	1.000	1.000			
Propylene Glycol	5	0.995	0.995	1.003	0.989	0.997	1.070
	15	0.986	0.986	1.009	0.968	0.990	1.210
	25	0.978	0.978	1.014	0.947	0.983	1.360
Methanol	5	0.995	0.995	1.002	0.989	0.997	1.070
	15	0.990	0.990	1.007	0.968	0.990	1.160
	25	0.982	0.982	1.012	0.949	0.984	1.220
Ethanol	5	0.998	0.998	1.002	0.981	0.994	1.140
	15	0.994	0.994	1.005	0.944	0.983	1.300
	25	0.986	0.986	1.009	0.917	0.974	1.360
Ethylene Glycol	5	0.998	0.998	1.002	0.993	0.998	1.040
	15	0.994	0.994	1.004	0.980	0.994	1.120
	25	0.988	0.988	1.008	0.966	0.990	1.200

Blower Performance Data – HBH/V072 Standard Unit

All Data is Wet Coil

SCFM	ESP	0.00	0.10	0.20	0.30	0.40	0.50	0.60	0.70	0.80	0.90	1.00	1.10	1.20	1.30	1.40	1.50
1800	BHP			0.28	0.32	0.35	0.39	0.42	0.45	0.48	0.52	0.56	0.60	0.64	0.69	0.72	0.76
	Sheave/Mtr			B	B	B	A	A	A	A	A	A	C	C	C	C	C
	RPM			599	645	690	735	775	815	850	885	910	940	965	995	1015	1040
	Turns Open			3	2	1	4	3.5	2.5	2	1.5	1	5	4.5	4	3.5	3
1900	BHP			0.31	0.36	0.40	0.44	0.49	0.53	0.57	0.62	0.65	0.69	0.73	0.76	0.80	0.84
	Sheave/Mtr			B	B	A	A	A	A	A	A	C	C	C	C	C	C
	RPM			604	655	695	740	780	820	855	890	920	950	980	1005	1030	1055
	Turns Open			3	2	5	4	3	2.5	2	1.5	5.5	4.5	4	3.5	3	3
2000	BHP		0.31	0.34	0.39	0.45	0.50	0.54	0.59	0.63	0.67	0.72	0.75	0.79	0.82	0.86	0.90
	Sheave/Mtr		B	B	B	A	A	A	A	A	A	C	C	C	C	C	C
	RPM		568	615	660	705	750	785	825	860	895	930	960	990	1015	1040	1065
	Turns Open		4.5	2.5	1.5	4.5	3.5	3	2.5	1.5	1	5	4.5	4	3.5	3	2.5
2100	BHP	0.33	0.38	0.42	0.46	0.50	0.54	0.59	0.65	0.70	0.74	0.78	0.81	0.85	0.89	0.94	0.98
	Sheave/Mtr	B	B	B	A	A	A	A	A	A	A	C	C	C	C	C	C
	RPM	531	583	630	670	715	755	795	835	875	905	940	970	1000	1025	1055	1080
	Turns Open	4.5	3.5	2	5	4.5	3.5	2.5	2	1.5	1	5	4	4	3	2.5	2.5
2200	BHP	0.37	0.40	0.45	0.49	0.55	0.60	0.65	0.70	0.75	0.79	0.83	0.87	0.92	0.96	1.00	1.04
	Sheave/Mtr	B	B	B	A	A	A	A	A	A	C	C	C	C	C	E	E
	RPM	552	599	645	685	730	770	810	850	885	915	950	980	1010	1040	1065	1090
	Turns Open	4	3	2	5	4	3	2.5	2	1.5	5.5	4.5	4	3.5	3	2.5	2
2300	BHP	0.42	0.47	0.51	0.56	0.60	0.65	0.70	0.75	0.80	0.84	0.89	0.94	1.00	1.05	1.10	1.16
	Sheave/Mtr	B	B	B	A	A	A	A	A	A	C	C	C	E	E	E	E
	RPM	573	620	660	705	745	785	820	860	895	925	960	990	1020	1050	1075	1105
	Turns Open	3.5	2.5	1.5	4.5	4	3	2.5	1.5	1	5	4.5	4	3.5	3	2.5	2
2400	BHP	0.48	0.52	0.57	0.61	0.66	0.72	0.78	0.83	0.87	0.92	0.97	1.02	1.07	1.13	1.19	1.25
	Sheave/Mtr	B	B	A	A	A	A	A	A	A	C	C	E	E	E	E	E
	RPM	604	645	690	730	765	805	845	880	910	945	975	1010	1035	1065	1095	1125
	Turns Open	3	2	5	4	3.5	2.5	2	1.5	1	5	4	3.5	3	2.5	2	1.5
2500	BHP	0.52	0.57	0.61	0.66	0.72	0.78	0.83	0.89	0.94	1.00	1.03	1.08	1.14	1.20	1.25	1.31
	Sheave/Mtr	B	B	A	A	A	A	A	A	C	E	E	E	E	E	E	E
	RPM	620	660	700	740	780	815	850	885	920	950	985	1015	1045	1075	1100	1130
	Turns Open	2.5	1.5	4.5	4	3	2.5	2	1.5	5.5	4.5	4	3.5	3	2.5	2	1.5
2600	BHP	0.56	0.61	0.66	0.70	0.76	0.82	0.88	0.93	0.98	1.04	1.08	1.14	1.20	1.26	1.32	1.37
	Sheave/Mtr	B	A	A	A	A	A	A	A	C	E	E	E	E	E	E	E
	RPM	635	675	715	750	790	825	860	895	925	960	990	1020	1050	1080	1110	1135
	Turns Open	2.5	5	4.5	3.5	3	2	1.5	1	5	4.5	4	3.5	3	2.5	1.5	1.5
2700	BHP	0.61	0.66	0.71	0.76	0.82	0.87	0.93	0.98	1.04	1.10	1.15	1.21	1.27	1.33	1.39	1.45
	Sheave/Mtr	B	A	A	A	A	A	A	A	E	E	E	E	E	E	E	E
	RPM	655	695	730	770	805	840	875	905	940	970	1000	1030	1060	1090	1120	1145
	Turns Open	2	4.5	4	3.5	2.5	2	1.5	1	5	4.5	3.5	3	2.5	2	1.5	1
2800	BHP	0.66	0.72	0.77	0.83	0.88	0.93	0.99	1.05	1.11	1.16	1.22	1.30	1.37	1.44	1.51	1.57
	Sheave/Mtr	B	A	A	A	A	A	A	D	E	E	E	E	E	E	E	E
	RPM	670	710	750	785	815	850	885	915	950	980	1010	1040	1070	1100	1130	1155
	Turns Open	1.5	4.5	3.5	3	2.5	1.5	1.5	1	4.5	4	3.5	3	2.5	2	1.5	1
2900	BHP	0.71	0.77	0.82	0.87	0.93	0.98	1.04	1.10	1.16	1.22	1.30	1.36	1.43	1.50	1.57	1.63
	Sheave/Mtr	A	A	A	A	A	A	D	E	E	E	E	E	E	E	E	E
	RPM	685	725	765	795	830	860	895	925	955	985	1020	1045	1075	1105	1135	1160
	Turns Open	5	4	3.5	3	2	1.5	1	5	4.5	4	3.5	3	2.5	1.5	1	1
3000	BHP	0.79	0.84	0.90	0.95	1.01	1.07	1.13	1.19	1.25	1.31	1.38	1.46	1.52	1.59	1.66	
	Sheave/Mtr	A	A	A	A	A	D	D	E	E	E	E	E	E	E	E	
	RPM	710	745	780	815	850	885	915	945	975	1005	1035	1065	1090	1120	1150	
	Turns Open	4.5	4	3	2.5	2	1	1	5	4	3.5	3	2.5	2	1.5	1	

A = Standard Static/Standard Motor, B = Low Static/Standard Motor, C = High Static/Standard Motor, D = Standard Static/Large Motor, E = High Static/Large Motor
 Unit factory shipped with standard static sheave and drive at 2.5 turns open. Other speed require field selection.
 For applications requiring higher static pressures, contact your local representative. Performance data does not include drive losses and is based on sea level conditions.
 Do not operate in black regions. All airflow is rated at lowest Voltage if unit is dual Voltage rated, i.e. 208V for 208-230V units.

Blower Performance Data – HBH/V096 Standard Unit

All Data is Wet Coil

SCFM	ESP	0.00	0.10	0.20	0.30	0.40	0.50	0.60	0.70	0.80	0.90	1.00	1.10	1.20	1.30	1.40	1.50
2400	BHP	0.45	0.50	0.54	0.59	0.63	0.69	0.74	0.80	0.85	0.90	0.94	0.99	1.04	1.10	1.16	1.22
	Sheave/Mtr	B	B	B	B	B	A	A	A	A	A	A	A	A	A	C	C
	RPM	578	625	665	705	745	785	820	860	895	925	960	990	1020	1050	1080	1110
	Turns Open	5	4	3	2.5	1.5	5.5	5	4	3.5	3	2.5	2	1.5	1	4	3.5
2500	BHP	0.50	0.55	0.59	0.64	0.69	0.75	0.81	0.88	0.92	0.97	1.01	1.06	1.12	1.17	1.23	1.29
	Sheave/Mtr	B	B	B	B	A	A	A	A	A	A	A	A	A	C	C	C
	RPM	599	645	685	725	765	800	835	875	905	940	970	1005	1035	1060	1090	1120
	Turns Open	4.5	3.5	2.5	2	6	5	4.5	4	3.5	3	2.5	2	1	4.5	3.5	3
2600	BHP	0.55	0.60	0.65	0.69	0.75	0.80	0.86	0.92	0.97	1.02	1.08	1.13	1.19	1.25	1.30	1.36
	Sheave/Mtr	B	B	B	B	A	A	A	A	A	A	A	A	A	C	C	C
	RPM	625	665	705	740	780	815	850	885	920	950	985	1015	1045	1075	1100	1130
	Turns Open	4	3	2.5	1.5	5.5	5	4.5	3.5	3	2.5	2	1.5	1	4	3.5	3
2700	BHP	0.60	0.65	0.70	0.75	0.80	0.86	0.91	0.97	1.02	1.08	1.14	1.20	1.26	1.32	1.38	1.44
	Sheave/Mtr	B	B	B	A	A	A	A	A	A	A	A	A	C	C	C	C
	RPM	645	685	725	760	795	830	865	900	930	960	995	1025	1055	1085	1115	1140
	Turns Open	3.5	2.5	2	6	5.5	4.5	4	3.5	3	2.5	2	1.5	4.5	4	3.5	3
2800	BHP	0.65	0.71	0.76	0.82	0.87	0.93	0.98	1.04	1.10	1.16	1.21	1.28	1.36	1.43	1.50	1.56
	Sheave/Mtr	B	B	B	A	A	A	A	A	A	A	A	A	C	C	C	C
	RPM	665	705	745	780	810	845	880	910	945	975	1005	1035	1065	1095	1125	1150
	Turns Open	3	2.5	1.5	5.5	5	4.5	4	3	2.5	2	1.5	1	4	3.5	3	2.5
2900	BHP	0.71	0.76	0.82	0.87	0.92	0.98	1.03	1.09	1.16	1.22	1.29	1.36	1.43	1.50	1.57	1.63
	Sheave/Mtr	B	B	A	A	A	A	A	A	A	A	A	A	C	C	C	C
	RPM	685	720	760	795	825	860	890	920	955	985	1015	1045	1075	1105	1135	1160
	Turns Open	2.5	2	6	5.5	5	4	3.5	3	2.5	2	1.5	1	4	3.5	3	2.5
3000	BHP	0.78	0.84	0.89	0.95	1.00	1.06	1.12	1.18	1.24	1.30	1.37	1.43	1.50	1.58	1.64	1.71
	Sheave/Mtr	B	B	A	A	A	A	A	A	A	A	A	C	C	C	C	C
	RPM	700	740	775	810	845	880	910	940	970	1000	1030	1055	1085	1115	1140	1170
	Turns Open	2.5	1.5	5.5	5	4.5	4	3.5	2.5	2	1.5	1	4.5	3.5	3.5	3	2.5
3100	BHP	0.85	0.91	0.96	1.02	1.08	1.14	1.22	1.29	1.36	1.44	1.50	1.57	1.63	1.70	1.76	1.82
	Sheave/Mtr	B	B	A	A	A	A	A	A	A	A	A	C	C	C	C	C
	RPM	720	755	790	825	860	890	925	955	985	1015	1040	1070	1095	1125	1150	1175
	Turns Open	2	1	5.5	4.5	4	3.5	3	2.5	2	1.5	1	4	3.5	3	2.5	2
3200	BHP	0.93	1.00	1.07	1.14	1.20	1.26	1.32	1.38	1.44	1.51	1.57	1.64	1.70	1.78	1.85	1.92
	Sheave/Mtr	B	A	A	A	A	A	A	A	A	A	C	C	C	C	C	C
	RPM	740	775	810	845	875	905	935	965	995	1025	1050	1080	1105	1135	1160	1185
	Turns Open	1.5	5.5	5	4.5	4	3.5	3	2	1.5	1	4.5	4	3.5	3	2.5	2

A = Standard Static/Standard Motor, B = Low Static/Standard Motor, C = High Static/Standard Motor, D = Standard Static/Large Motor, E = High Static/Large Motor
 Unit factory shipped with standard static sheave and drive at 2.5 turns open. Other speed require field selection.
 For applications requiring higher static pressures, contact your local representative. Performance data does not include drive losses and is based on sea level conditions.
 Do not operate in black regions. All airflow is rated at lowest Voltage if unit is dual Voltage rated, i.e. 208V for 208-230V units.

Table Continued on Next Page

Blower Performance Data – HBH/V096 Standard Unit

Table Continued from Previous Page

All Data is Wet Coil

SCFM	ESP	0.00	0.10	0.20	0.30	0.40	0.50	0.60	0.70	0.80	0.90	1.00	1.10	1.20	1.30	1.40	1.50
3300	BHP	1.01	1.08	1.14	1.21	1.28	1.33	1.39	1.45	1.51	1.58	1.64	1.72	1.78	1.84	1.93	2.00
	Sheave/Mtr	B	A	A	A	A	A	A	A	A	A	C	C	C	C	C	E
	RPM	755	790	820	855	890	915	945	975	1005	1035	1060	1090	1115	1140	1170	1195
	Turns Open	1	5.5	5	4	3.5	3	2.5	2	1.5	1	4	3.5	3	3	2.5	2
3400	BHP	1.08	1.15	1.22	1.29	1.35	1.41	1.47	1.53	1.59	1.68	1.75	1.83	1.90	1.96	2.02	2.08
	Sheave/Mtr	A	A	A	A	A	A	A	A	A	A	C	C	C	C	E	E
	RPM	765	800	835	870	900	930	960	990	1015	1045	1070	1100	1125	1150	1175	1200
	Turns Open	6	5	4.5	4	3.5	3	2.5	2	1.5	1	4	3.5	3	2.5	2	2
3500	BHP	1.16	1.23	1.29	1.36	1.42	1.48	1.54	1.60	1.66	1.73	1.79	1.85	1.92	2.01	2.09	2.17
	Sheave/Mtr	A	A	A	A	A	A	A	A	A	C	C	C	C	E	E	E
	RPM	780	815	845	880	910	940	970	1000	1025	1055	1080	1105	1130	1160	1185	1210
	Turns Open	5.5	5	4.5	3.5	3	2.5	2	1.5	1	4.5	4	3.5	3	2.5	2	1.5
3600	BHP	1.24	1.30	1.37	1.44	1.51	1.58	1.65	1.72	1.78	1.86	1.92	1.98	2.06	2.13	2.21	2.29
	Sheave/Mtr	A	A	A	A	A	A	A	A	A	C	C	C	E	E	E	E
	RPM	795	825	860	890	920	950	980	1010	1035	1065	1090	1115	1145	1165	1190	1215
	Turns Open	5.5	4.5	4	3.5	3	2.5	2	1.5	1	4	3.5	3	2.5	2.5	2	1.5
3700	BHP	1.34	1.40	1.46	1.53	1.61	1.68	1.75	1.82	1.90	1.97	2.06	2.13	2.21	2.28	2.36	2.44
	Sheave/Mtr	A	A	A	A	A	A	A	A	C	C	E	E	E	E	E	E
	RPM	820	850	880	910	940	970	1000	1025	1055	1080	1110	1135	1160	1180	1205	1230
	Turns Open	5	4.5	3.5	3	2.5	2	1.5	1	4.5	4	3.5	3	2.5	2	1.5	1.5
3800	BHP	1.43	1.49	1.56	1.63	1.70	1.78	1.86	1.94	2.02	2.12	2.20	2.28	2.34	2.42	2.50	2.58
	Sheave/Mtr	A	A	A	A	A	A	A	A	E	E	E	E	E	E	E	E
	RPM	840	870	900	930	960	990	1020	1045	1070	1100	1125	1150	1170	1195	1220	1245
	Turns Open	4.5	4	3.5	3	2.5	2	1.5	1	4	3.5	3	2.5	2.5	2	1.5	1
3900	BHP	1.58	1.64	1.71	1.78	1.85	1.93	2.01	2.09	2.19	2.27	2.35	2.41	2.49	2.57	2.65	
	Sheave/Mtr	A	A	A	A	A	A	D	D	E	E	E	E	E	E	E	
	RPM	865	890	920	950	980	1010	1035	1060	1090	1115	1140	1160	1185	1210	1235	
	Turns Open	4	4	3	2.5	2	1.5	1	1	4	3.5	3	2.5	2	1.5	1.5	
4000	BHP	1.68	1.75	1.83	1.92	2.00	2.08	2.16	2.26	2.34	2.42	2.50	2.56	2.64	2.72	2.80	
	Sheave/Mtr	A	A	A	A	D	D	D	E	E	E	E	E	E	E	E	
	RPM	885	910	940	970	1000	1025	1050	1080	1105	1130	1155	1175	1200	1225	1250	
	Turns Open	4	3.5	2.5	2.5	2	1	1	4	3.5	3	2.5	2	2	1.5	1	

A = Standard Static/Standard Motor, B = Low Static/Standard Motor, C = High Static/Standard Motor, D = Standard Static/Large Motor, E = High Static/Large Motor
 Unit factory shipped with standard static sheave and drive at 2.5 turns open. Other speed require field selection.
 For applications requiring higher static pressures, contact your local representative. Performance data does not include drive losses and is based on sea level conditions.
 Do not operate in black regions. All airflow is rated at lowest Voltage if unit is dual Voltage rated, i.e. 208V for 208-230V units.

Blower Performance Data – HBH/V120 Standard Unit

All Data is Wet Coil

SCFM	ESP	0.00	0.10	0.20	0.30	0.40	0.50	0.60	0.70	0.80	0.90	1.00	1.10	1.20	1.30	1.40	1.50
3000	BHP	0.75	0.81	0.86	0.91	0.97	1.03	1.09	1.15	1.21	1.27	1.34	1.41	1.47	1.54	1.61	1.67
	Sheave/Mtr	B	B	B	B	B	B	A	A	A	A	A	A	A	A	A	A
	RPM	680	720	755	790	825	860	895	925	955	985	1015	1045	1070	1100	1130	1155
	Turns Open	5	4	3.5	3	2.5	1.5	5.5	5	4.5	4	3.5	3	2.5	2	1.5	1
3100	BHP	0.82	0.88	0.94	0.99	1.04	1.10	1.17	1.26	1.33	1.40	1.46	1.53	1.59	1.66	1.72	1.80
	Sheave/Mtr	B	B	B	B	B	A	A	A	A	A	A	A	A	A	A	C
	RPM	700	735	775	805	840	875	905	940	970	1000	1025	1055	1080	1110	1135	1165
	Turns Open	4.5	4	3	2.5	2	6	5.5	4.5	4.5	3.5	3	3	2.5	2	1.5	4
3200	BHP	0.90	0.96	1.03	1.10	1.17	1.23	1.29	1.35	1.41	1.47	1.55	1.61	1.68	1.74	1.81	1.89
	Sheave/Mtr	B	B	B	B	B	A	A	A	A	A	A	A	A	A	A	C
	RPM	720	755	790	825	860	890	920	950	980	1010	1040	1065	1095	1120	1145	1175
	Turns Open	4	3.5	3	2	1.5	5.5	5	4.5	4	3.5	3	2.5	2	1.5	1	3.5
3300	BHP	0.98	1.04	1.11	1.18	1.25	1.31	1.37	1.43	1.49	1.55	1.62	1.68	1.75	1.81	1.88	1.95
	Sheave/Mtr	B	B	B	B	A	A	A	A	A	A	A	A	A	A	A	C
	RPM	740	770	805	840	875	905	935	965	995	1020	1050	1075	1105	1130	1155	1180
	Turns Open	4	3	2.5	2	6	5.5	5	4	4	3	2.5	2.5	2	1.5	1	3.5
3400	BHP	1.06	1.13	1.19	1.26	1.33	1.38	1.44	1.50	1.56	1.65	1.72	1.80	1.87	1.94	2.00	2.06
	Sheave/Mtr	B	B	B	B	A	A	A	A	A	A	A	A	A	A	C	C
	RPM	755	790	820	855	890	915	945	975	1005	1035	1060	1090	1115	1140	1165	1190
	Turns Open	3.5	3	2.5	1.5	6	5	4.5	4	3.5	3	2.5	2	1.5	1	4	3
3500	BHP	1.14	1.21	1.27	1.34	1.40	1.46	1.52	1.58	1.65	1.71	1.77	1.84	1.90	1.98	2.06	2.14
	Sheave/Mtr	B	B	B	A	A	A	A	A	A	A	A	A	A	A	C	C
	RPM	770	805	835	870	900	930	960	990	1020	1045	1070	1100	1125	1150	1175	1200
	Turns Open	3	2.5	2	6	5.5	5	4.5	3.5	3.5	3	2.5	2	1.5	1	3.5	3
3600	BHP	1.23	1.29	1.36	1.42	1.50	1.57	1.64	1.71	1.77	1.84	1.90	1.96	2.05	2.13	2.21	2.27
	Sheave/Mtr	B	B	B	A	A	A	A	A	A	A	A	A	C	C	C	C
	RPM	790	820	855	885	915	945	975	1005	1030	1060	1085	1110	1140	1165	1190	1210
	Turns Open	3	2.5	1.5	6	5.5	4.5	4	3.5	3	2.5	2	1.5	1.5	4	3.5	3
3700	BHP	1.32	1.38	1.44	1.51	1.58	1.65	1.73	1.81	1.88	1.96	2.03	2.10	2.18	2.26	2.34	2.42
	Sheave/Mtr	B	B	A	A	A	A	A	A	A	A	A	A	A	C	C	C
	RPM	810	840	870	900	930	960	990	1020	1045	1075	1100	1125	1150	1175	1200	1225
	Turns Open	2.5	2	6	5.5	5	4.5	4	3	3	2.5	2	1.5	1	3.5	3	2.5
3800	BHP	1.41	1.47	1.54	1.61	1.68	1.75	1.82	1.91	1.99	2.07	2.17	2.25	2.31	2.39	2.47	2.55
	Sheave/Mtr	B	B	A	A	A	A	A	A	A	A	A	A	C	C	C	C
	RPM	830	860	890	920	950	980	1005	1035	1060	1085	1115	1140	1160	1185	1210	1235
	Turns Open	2	1.5	5.5	5	4.5	4	3.5	3	2.5	2	1.5	1	1	3.5	3	2.5
3900	BHP	1.54	1.60	1.67	1.74	1.82	1.89	1.96	2.04	2.14	2.22	2.30	2.38	2.46	2.52	2.60	2.68
	Sheave/Mtr	B	A	A	A	A	A	A	A	A	A	A	A	C	C	C	C
	RPM	850	875	905	935	965	995	1020	1045	1075	1100	1125	1150	1175	1195	1220	1245
	Turns Open	2	6	5.5	5	4.5	3.5	3	2.5	2.5	2	1.5	1	3.5	3	2.5	2
4000	BHP	1.63	1.71	1.78	1.86	1.94	2.03	2.11	2.19	2.27	2.37	2.45	2.51	2.59	2.67	2.75	2.85
	Sheave/Mtr	A	A	A	A	A	A	A	A	A	A	A	A	C	C	C	C
	RPM	865	895	920	950	980	1010	1035	1060	1085	1115	1140	1160	1185	1210	1235	1260
	Turns Open	6	5.5	5	4.5	4	3.5	3	2.5	2	1.5	1	1	3.5	3	2.5	2

A = Standard Static/Standard Motor, B = Low Static/Standard Motor, C = High Static/Standard Motor, D = Standard Static/Large Motor, E = High Static/Large Motor
 Unit factory shipped with standard static sheave and drive at 2.5 turns open. Other speed require field selection.
 For applications requiring higher static pressures, contact your local representative. Performance data does not include drive losses and is based on sea level conditions.
 Do not operate in black regions. All airflow is rated at lowest Voltage if unit is dual Voltage rated, i.e. 208V for 208-230V units.

Table Continued on Next Page

Blower Performance Data – HBH/V120 Standard Unit

Table Continued from Previous Page

All Data is Wet Coil

SCFM	ESP	0.00	0.10	0.20	0.30	0.40	0.50	0.60	0.70	0.80	0.90	1.00	1.10	1.20	1.30	1.40	1.50
4100	BHP	1.73	1.81	1.90	1.97	2.05	2.12	2.20	2.27	2.34	2.42	2.52	2.62	2.70	2.80	2.90	
	Sheave/Mtr	A	A	A	A	A	A	A	A	A	A	A	C	C	C	C	
	RPM	885	915	945	970	1000	1025	1055	1080	1105	1130	1155	1180	1200	1225	1250	
	Turns Open	6	5.5	4.5	4	4	3	2.5	2	2	1.5	1	3.5	3	2.5	2	
4200	BHP	1.87	1.94	2.02	2.08	2.16	2.24	2.32	2.40	2.48	2.58	2.68	2.76	2.86	2.96		
	Sheave/Mtr	A	A	A	A	A	A	A	A	A	A	C	C	C	C		
	RPM	905	935	965	990	1020	1045	1070	1095	1120	1145	1170	1190	1215	1240		
	Turns Open	5.5	5	4.5	4	3.5	3	2.5	2	1.5	1	3.5	3.5	3	2.5		
4300	BHP	2.00	2.07	2.16	2.23	2.31	2.41	2.49	2.57	2.66	2.74	2.84	2.94	3.02	3.15		
	Sheave/Mtr	A	A	A	A	A	A	A	A	A	C	C	C	E	E		
	RPM	930	955	985	1010	1035	1065	1090	1115	1140	1160	1185	1210	1230	1255		
	Turns Open	5	4.5	4	3.5	3	2.5	2	1.5	1.5	4	3.5	3	2.5	2		
4400	BHP	2.14	2.22	2.32	2.40	2.48	2.56	2.65	2.74	2.82	2.92	3.00	3.10	3.18			
	Sheave/Mtr	A	A	A	A	A	A	A	A	A	C	E	E	E			
	RPM	950	975	1005	1030	1055	1080	1110	1135	1155	1180	1200	1225	1245			
	Turns Open	4.5	4	3.5	3	3	2.5	2	1.5	1	4	3	3	2.5			
4500	BHP	2.30	2.38	2.46	2.54	2.62	2.72	2.80	2.88	3.00	3.08	3.16	3.26				
	Sheave/Mtr	A	A	A	A	A	A	A	A	D	E	E	E				
	RPM	970	995	1020	1045	1070	1100	1125	1145	1170	1195	1215	1240				
	Turns Open	4.5	4	3.5	3	2.5	2	1.5	1.5	1	3.5	3	2.5				
4600	BHP	2.39	2.45	2.54	2.63	2.72	2.83	2.92	3.00	3.10	3.18	3.28	3.38				
	Sheave/Mtr	A	A	A	A	A	A	A	D	D	E	E	E				
	RPM	980	1000	1025	1050	1075	1105	1130	1150	1175	1195	1220	1245				
	Turns Open	4	3.5	3.5	3	2.5	2	1.5	1	1	3.5	3	2.5				
4700	BHP	2.46	2.52	2.62	2.72	2.82	2.92	3.02	3.12	3.22	3.32	3.40	3.50				
	Sheave/Mtr	A	A	A	A	A	A	D	D	E	E	E	E				
	RPM	985	1005	1030	1055	1080	1105	1130	1155	1180	1205	1225	1250				
	Turns Open	4	3.5	3	2.5	2	1.5	1.5	1	4	3.5	2.5	2.5				
4800	BHP	2.57	2.64	2.74	2.84	2.94	3.04	3.14	3.24	3.32	3.42	3.52	3.60				
	Sheave/Mtr	A	A	A	A	A	D	D	D	E	E	E	E				
	RPM	990	1010	1035	1060	1085	1110	1135	1160	1180	1205	1230	1250				
	Turns Open	4	3.5	3	2.5	2	1.5	1	1	3.5	3	2.5	2				
4900	BHP	2.68	2.78	2.88	3.00	3.06	3.16	3.26	3.36	3.44	3.54	3.64	3.75				
	Sheave/Mtr	A	A	A	D	D	D	D	E	E	E	E	E				
	RPM	995	1020	1045	1070	1090	1115	1140	1165	1185	1210	1235	1255				
	Turns Open	3.5	3	3	2.5	1.5	1.5	1	4	3.5	3	2.5	2				
5000	BHP	2.82	2.92	3.00	3.10	3.20	3.28	3.38	3.48	3.56	3.66	3.74					
	Sheave/Mtr	A	A	D	D	D	D	D	E	E	E	E					
	RPM	1005	1030	1050	1075	1100	1120	1145	1170	1190	1215	1235					
	Turns Open	3.5	3	2.5	2	1.5	1	1	3.5	3	2.5	2					

A = Standard Static/Standard Motor, B = Low Static/Standard Motor, C = High Static/Standard Motor, D = Standard Static/Large Motor, E = High Static/Large Motor
 Unit factory shipped with standard static sheave and drive at 2.5 turns open. Other speed require field selection.
 For applications requiring higher static pressures, contact your local representative. Performance data does not include drive losses and is based on sea level conditions.
 Do not operate in black regions. All airflow is rated at lowest Voltage if unit is dual Voltage rated, i.e. 208V for 208-230V units.

Blower Performance Data – HBV160 Standard Unit

All Data is Wet Coil

SCFM	ESP	0.00	0.10	0.20	0.30	0.40	0.50	0.60	0.70	0.80	0.90	1.00	1.10	1.20	1.30	1.40	1.50
4200	BHP			0.69	0.78	0.86	0.95	1.02	1.11	1.21	1.32	1.41	1.50	1.57	1.64	1.72	1.80
	Sheave/Mtr			B	B	B	B	A	A	A	A	A	A	A	C	C	C
	RPM			547	594	640	685	725	765	805	845	880	915	945	975	1005	1030
	Turns Open			5.5	4	3	1.5	6	5	4	3.5	2.5	2	1	3.5	3	2.5
4400	BHP			0.75	0.83	0.92	1.01	1.11	1.21	1.31	1.41	1.51	1.60	1.68	1.76	1.85	1.94
	Sheave/Mtr			B	B	B	B	A	A	A	A	A	A	A	C	C	C
	RPM			563	609	655	695	735	775	815	855	890	925	955	985	1015	1045
	Turns Open			5	3.5	2.5	1.5	5.5	5	4	3	2.5	1.5	1	3.5	2.5	2
4600	BHP		0.75	0.85	0.95	1.03	1.11	1.19	1.30	1.40	1.50	1.60	1.70	1.78	1.89	2.00	2.10
	Sheave/Mtr		B	B	B	B	B	A	A	A	A	A	A	C	C	C	C
	RPM		526	573	625	665	705	745	785	825	860	895	930	960	995	1025	1050
	Turns Open		6	4.5	3	2.5	1	5.5	4.5	3.5	3	2.5	1.5	4	3	2.5	2
4800	BHP		0.83	0.94	1.03	1.12	1.20	1.30	1.40	1.53	1.63	1.73	1.82	1.92	2.00	2.12	2.22
	Sheave/Mtr		B	B	B	B	A	A	A	A	A	A	A	C	C	C	C
	RPM		542	594	640	680	720	760	795	835	870	905	935	970	1000	1030	1055
	Turns Open		5.5	4	3	2	6	5	4.5	3.5	3	2	1	3.5	3	2	1.5
5000	BHP		0.93	1.02	1.11	1.20	1.31	1.41	1.52	1.64	1.76	1.85	1.95	2.03	2.12	2.24	2.36
	Sheave/Mtr		B	B	B	B	A	A	A	A	A	A	A	C	C	C	C
	RPM		563	609	650	690	735	770	805	840	880	910	945	975	1005	1035	1065
	Turns Open		5	3.5	2.5	1.5	5.5	5	4	3.5	2.5	2	1	3.5	3	2	1.5
5200	BHP	0.93	1.02	1.10	1.20	1.29	1.39	1.50	1.61	1.72	1.83	1.94	2.06	2.15	2.26	2.38	2.50
	Sheave/Mtr	B	B	B	B	B	A	A	A	A	A	A	A	C	C	C	C
	RPM	542	583	625	665	705	745	780	815	850	885	920	955	985	1015	1045	1075
	Turns Open	5.5	4.5	3	2	1	5.5	4.5	4	3	2.5	1.5	1	3	2.5	2	1.5
5400	BHP	1.03	1.10	1.19	1.29	1.39	1.50	1.59	1.70	1.80	1.92	2.03	2.16	2.26	2.38	2.50	2.62
	Sheave/Mtr	B	B	B	B	B	A	A	A	A	A	A	C	C	C	C	C
	RPM	563	599	640	680	720	760	790	825	860	895	925	960	990	1020	1050	1080
	Turns Open	5	4	3	2	1	5	4.5	3.5	3	2.5	1.5	4	3	2.5	1.5	1
5600	BHP	1.12	1.19	1.28	1.39	1.50	1.61	1.72	1.84	1.93	2.06	2.17	2.29	2.40	2.54	2.69	2.83
	Sheave/Mtr	B	B	B	B	A	A	A	A	A	A	A	C	C	C	C	C
	RPM	583	620	655	695	735	770	805	840	870	905	935	970	1000	1030	1060	1090
	Turns Open	4.5	3.5	2.5	1.5	5.5	5	4	3.5	2.5	2	1.5	3.5	3	2	1.5	1
5800	BHP	1.17	1.28	1.39	1.49	1.60	1.70	1.81	1.90	2.02	2.14	2.28	2.40	2.52	2.67	2.81	2.96
	Sheave/Mtr	B	B	B	B	A	A	A	A	A	A	A	C	C	C	C	C
	RPM	588	630	670	710	750	780	815	845	880	910	945	975	1005	1035	1065	1095
	Turns Open	4	3	2	1	5.5	4.5	4	3	2.5	2	1	3.5	2.5	2	1.5	1
6000	BHP	1.25	1.40	1.51	1.61	1.73	1.84	1.94	2.05	2.18	2.30	2.42	2.54	2.67	2.79	2.94	3.08
	Sheave/Mtr	B	B	B	A	A	A	A	A	A	A	A	C	C	C	C	E
	RPM	604	645	685	720	760	795	825	860	895	925	955	985	1015	1040	1070	1100
	Turns Open	4	2.5	1.5	6	5	4.5	3.5	3	2	1.5	1	3	2.5	2	1.5	1
6200	BHP	1.40	1.51	1.62	1.75	1.86	1.98	2.09	2.20	2.34	2.49	2.63	2.78	2.92	3.06	3.18	
	Sheave/Mtr	B	B	B	A	A	A	A	A	A	A	C	C	C	E	E	
	RPM	625	660	695	735	770	805	840	875	905	935	965	995	1025	1055	1080	
	Turns Open	3.5	2.5	1.5	5.5	5	4	3.5	2.5	2	1.5	4	3	2	1.5	1	
6400	BHP	1.55	1.68	1.79	1.90	2.04	2.18	2.32	2.44	2.56	2.68	2.80	2.92	3.07	3.19	3.33	
	Sheave/Mtr	B	B	B	A	A	A	A	A	A	A	C	C	E	E	E	
	RPM	640	680	715	750	785	820	855	885	915	945	975	1005	1035	1060	1090	
	Turns Open	3	2	1	5	4.5	3.5	3	2.5	1.5	1	3.5	2.5	2	1.5	1	
6600	BHP	1.73	1.84	1.94	2.06	2.20	2.34	2.46	2.58	2.70	2.82	2.94	3.07	3.19	3.34	3.46	
	Sheave/Mtr	B	B	A	A	A	A	A	A	A	A	C	E	E	E	E	
	RPM	665	700	730	765	800	835	865	895	925	955	985	1015	1040	1070	1095	
	Turns Open	2.5	1.5	5.5	5	4	3.5	3	2	1.5	1	3	2.5	2	1.5	1	
6800	BHP	1.87	1.98	2.08	2.20	2.34	2.48	2.62	2.74	2.86	2.96	3.08	3.24	3.38	3.55		
	Sheave/Mtr	B	B	A	A	A	A	A	A	A	C	E	E	E	E		
	RPM	685	715	745	775	810	845	880	910	940	965	995	1025	1050	1080		
	Turns Open	2	1	5.5	4.5	4	3	2.5	2	1	4	3	2.5	2	1		
7000	BHP	2.03	2.13	2.22	2.36	2.50	2.62	2.76	2.88	3.00	3.12	3.22	3.37	3.49	3.61		
	Sheave/Mtr	B	A	A	A	A	A	A	A	D	E	E	E	E	E		
	RPM	705	730	755	790	825	855	890	920	950	980	1005	1035	1060	1085		
	Turns Open	1.5	6	5	4.5	3.5	3	2.5	1.5	1	3.5	3	2	1.5	1		

A = Standard Static/Standard Motor, B = Low Static/Standard Motor, C = High Static/Standard Motor, D = Standard Static/Large Motor, E = High Static/Large Motor
 Unit factory shipped with standard static sheave and drive at 2.5 turns open. Other speed require field selection.
 For applications requiring higher static pressures, contact your local representative. Performance data does not include drive losses and is based on sea level conditions.
 Do not operate in black regions. All airflow is rated at lowest Voltage if unit is dual Voltage rated, i.e. 208V for 208-230V units.

Blower Performance Data – HBV192 Standard Unit

All Data is Wet Coil

SCFM	ESP	0.00	0.10	0.20	0.30	0.40	0.50	0.60	0.70	0.80	0.90	1.00	1.10	1.20	1.30	1.40	1.50
4800	BHP		0.98	1.07	1.16	1.24	1.34	1.47	1.59	1.69	1.78	1.87	1.96	2.06	2.18	2.30	2.42
	Sheave/Mtr		B	B	B	B	A	A	A	A	A	A	A	C	C	C	C
	RPM		615	660	700	740	775	815	855	890	920	955	985	1015	1045	1075	1105
	Turns Open		5.5	4.5	3	2	5.5	4	3.5	3	2.5	1.5	1	5.5	5	4.5	4
5000	BHP	0.99	1.07	1.18	1.27	1.37	1.49	1.60	1.73	1.82	1.92	2.00	2.10	2.22	2.32	2.44	2.56
	Sheave/Mtr		B	B	B	B	A	A	A	A	A	A	A	C	C	C	C
	RPM	594	635	680	720	760	795	830	870	900	935	965	1000	1030	1055	1085	1115
	Turns Open	6	5	4	2.5	5.5	5	3.5	3.5	3	2	1.5	1	5	4.5	4	3.5
5200	BHP	1.09	1.18	1.28	1.36	1.48	1.59	1.70	1.82	1.93	2.02	2.14	2.24	2.36	2.48	2.60	2.72
	Sheave/Mtr		B	B	B	B	A	A	A	A	A	A	C	C	C	C	C
	RPM	620	660	700	735	775	810	845	880	915	945	980	1010	1040	1070	1100	1130
	Turns Open	5.5	4.5	3.5	2	5.5	4.5	3.5	3	2.5	2	1	5.5	5	4.5	4	3.5
5400	BHP	1.19	1.29	1.39	1.48	1.59	1.70	1.80	1.92	2.03	2.16	2.26	2.38	2.50	2.62	2.74	2.87
	Sheave/Mtr		B	B	B	A	A	A	A	A	A	A	C	C	C	C	C
	RPM	640	680	720	755	790	825	860	895	925	960	990	1020	1050	1080	1110	1140
	Turns Open	5	4	2.5	6	5	4.5	3.5	3	2.5	1.5	1	5.5	5	4	3.5	3
5600	BHP	1.30	1.40	1.51	1.62	1.74	1.85	1.95	2.08	2.18	2.31	2.42	2.57	2.71	2.86	2.98	3.12
	Sheave/Mtr		B	B	B	A	A	A	A	A	A	C	C	C	C	C	E
	RPM	660	700	740	775	810	845	875	910	940	975	1005	1035	1065	1095	1120	1150
	Turns Open	4.5	3.5	2	5.5	5	4	3	2.5	2	1.5	5.5	5	4.5	4	3.5	3
5800	BHP	1.41	1.52	1.63	1.73	1.84	1.95	2.06	2.18	2.32	2.44	2.57	2.72	2.86	3.00	3.15	3.27
	Sheave/Mtr		B	B	A	A	A	A	A	A	A	C	C	C	E	E	E
	RPM	680	720	760	790	825	860	890	920	955	985	1015	1045	1075	1105	1135	1160
	Turns Open	4	3	6	5	4.5	3.5	3	2.5	1.5	1	5.5	5	4.5	4	3	3
6000	BHP	1.56	1.67	1.78	1.89	2.00	2.12	2.24	2.36	2.48	2.60	2.74	2.89	3.01	3.15	3.30	3.42
	Sheave/Mtr		B	B	A	A	A	A	A	A	C	C	C	E	E	E	E
	RPM	700	740	775	810	845	880	910	940	970	1000	1030	1060	1085	1115	1145	1170
	Turns Open	3.5	2.5	5.5	5	4	3	2.5	2	1.5	6	5	4.5	4	3.5	3	2.5
6200	BHP	1.70	1.83	1.94	2.06	2.17	2.30	2.44	2.58	2.73	2.87	3.02	3.14	3.28	3.40	3.54	3.66
	Sheave/Mtr		B	A	A	A	A	A	A	A	C	E	E	E	E	E	E
	RPM	720	760	795	830	865	895	925	955	985	1015	1045	1070	1100	1125	1155	1180
	Turns Open	3	5.5	5	4.5	3.5	3	2.5	1.5	1	5.5	5	4.5	4	3.5	3	2.5
6400	BHP	1.88	2.02	2.16	2.28	2.42	2.54	2.66	2.78	2.90	3.04	3.16	3.31	3.43	3.58	3.72	3.86
	Sheave/Mtr		B	A	A	A	A	A	A	C	E	E	E	E	E	E	E
	RPM	745	780	815	845	880	910	940	970	1000	1030	1055	1085	1110	1140	1165	1190
	Turns Open	2.5	5	4.5	4	3.5	2.5	2	1.5	6	5	4.5	4	3.5	3	2.5	2
6600	BHP	2.06	2.18	2.32	2.46	2.58	2.70	2.82	2.94	3.07	3.19	3.34	3.46	3.60	3.74	3.88	4.02
	Sheave/Mtr		A	A	A	A	A	A	A	E	E	E	E	E	E	E	E
	RPM	765	795	830	865	895	925	955	985	1015	1040	1070	1095	1125	1150	1175	1200
	Turns Open	5.5	5	4.5	3.5	3	2.5	1.5	1	5.5	5	4.5	4	3.5	3	2.5	2
6800	BHP	2.22	2.36	2.50	2.62	2.74	2.86	3.00	3.10	3.27	3.41	3.58	3.72	3.85	3.97	4.11	4.23
	Sheave/Mtr		A	A	A	A	A	D	D	E	E	E	E	E	E	E	E
	RPM	780	815	850	880	910	940	970	1000	1030	1055	1085	1110	1135	1160	1190	1215
	Turns Open	5.5	4.5	4	3.5	2.5	2	1.5	1	5	4.5	4	3.5	3	2.5	2	2
7000	BHP	2.40	2.54	2.66	2.80	2.92	3.04	3.14	3.27	3.39	3.54	3.66	3.78	3.96	4.12	4.28	4.44
	Sheave/Mtr		A	A	A	A	D	D	E	E	E	E	E	E	E	E	E
	RPM	800	835	865	900	930	960	985	1015	1040	1070	1095	1120	1150	1175	1200	1225
	7000	5	4	3.5	3	2	1.5	1	5.5	5	4.5	4	3.5	3	2.5	2	1.5
7200	BHP	2.58	2.70	2.85	2.99	3.14	3.28	3.42	3.54	3.66	3.81	3.93	4.06	4.22	4.38	4.54	4.70
	Sheave/Mtr		A	A	A	D	D	E	E	E	E	E	E	E	E	E	E
	RPM	820	850	885	915	945	975	1005	1030	1055	1085	1110	1135	1160	1185	1210	1235
	Turns Open	4.5	4	3	3	2	1.5	5.5	5	4.5	4	3.5	3	2.5	2.5	2	1.5
7400	BHP	2.76	2.88	3.02	3.16	3.31	3.45	3.61	3.75	3.92	4.06	4.20	4.36	4.52	4.68	4.81	4.97
	Sheave/Mtr		A	A	D	D	D	E	E	E	E	E	E	E	E	E	E
	RPM	840	870	900	930	960	990	1020	1045	1075	1100	1125	1150	1175	1200	1220	1245
	Turns Open	4	3.5	3	2.5	1.5	1	5.5	5	4.5	4	3.5	3	2.5	2	1.5	1.5
7600	BHP	2.94	3.07	3.22	3.36	3.50	3.63	3.82	3.98	4.14	4.34	4.50	4.66	4.78	4.94		
	Sheave/Mtr		A	D	D	D	E	E	E	E	E	E	E	E	E		
	RPM	860	890	920	950	980	1005	1035	1060	1085	1115	1140	1165	1185	1210		
	Turns Open	4	3	2.5	2	1	5.5	5	4.5	4	3.5	3	2.5	2	2		
7800	BHP	3.22	3.34	3.49	3.63	3.78	3.96	4.12	4.28	4.44	4.63	4.76	4.92				
	Sheave/Mtr		D	D	D	D	E	E	E	E	E	E	E				
	RPM	880	905	935	965	995	1025	1050	1075	1100	1130	1150	1175				
	Turns Open	3.5	3	2	1.5	1	5.5	5	4.5	4	3.5	3	2.5				
8000	BHP	3.41	3.58	3.75	3.92	4.06	4.26	4.42	4.58	4.74	4.90						
	Sheave/Mtr		D	D	D	D	E	E	E	E	E						
	RPM	895	925	955	985	1010	1040	1065	1090	1115	1140						
	Turns Open	3	2.5	1.5	1	5.5	5	4.5	4	3.5	3						

A = Standard Static/Standard Motor, B = Low Static/Standard Motor, C = High Static/Standard Motor, D = Standard Static/Large Motor, E = High Static/Large Motor
 Unit factory shipped with standard static sheave and drive at 2.5 turns open. Other speed require field selection.
 For applications requiring higher static pressures, contact your local representative. Performance data does not include drive losses and is based on sea level conditions.
 Do not operate in black regions. All airflow is rated at lowest Voltage if unit is dual Voltage rated, i.e. 208V for 208-230V units.

Blower Performance Data – HBV240 Standard Unit

All Data is Wet Coil

SCFM	ESP	0.00	0.10	0.20	0.30	0.40	0.50	0.60	0.70	0.80	0.90	1.00	1.10	1.20	1.30	1.40	1.50
6000	BHP				1.78	1.89	2.00	2.12	2.24	2.36	2.48	2.60	2.74	2.89	3.01	3.15	3.30
	Sheave/Mtr				B	B	B	A	A	A	A	A	A	A	A	C	C
	RPM				775	810	845	880	910	940	970	1000	1030	1060	1085	1115	1145
	Turns Open				5.5	4.5	4	6	5	4.5	3.5	3	2.5	1.5	1	3.5	3
6200	BHP			1.82	1.93	2.04	2.15	2.30	2.44	2.58	2.73	2.87	2.99	3.14	3.26	3.40	3.52
	Sheave/Mtr			B	B	B	B	A	A	A	A	A	A	A	C	C	C
	RPM			755	790	825	860	895	925	955	985	1015	1040	1070	1095	1125	1150
	Turns Open			6	5	4.5	3.5	5.5	5	4	3.5	2.5	2	1.5	4	3.5	3
6400	BHP			2.00	2.14	2.26	2.40	2.52	2.64	2.76	2.88	3.02	3.14	3.28	3.40	3.56	3.70
	Sheave/Mtr			B	B	B	B	A	A	A	A	A	A	A	C	C	C
	RPM			775	810	840	875	905	935	965	995	1025	1050	1080	1105	1135	1160
	Turns Open			5.5	4.5	4	3	5.5	4.5	4	3	2.5	2	1	4	3	2.5
6600	BHP		2.02	2.16	2.30	2.42	2.56	2.68	2.80	2.92	3.05	3.17	3.29	3.43	3.55	3.71	3.85
	Sheave/Mtr		B	B	B	B	A	A	A	A	A	A	A	A	C	C	C
	RPM		755	790	825	855	890	920	950	980	1010	1035	1060	1090	1115	1145	1170
	Turns Open		6	5.5	4.5	3.5	6	5	4	3.5	3	2	1.5	1	3.5	3	2.5
6800	BHP		2.18	2.32	2.46	2.58	2.70	2.84	2.94	3.06	3.21	3.35	3.52	3.66	3.82	3.94	4.06
	Sheave/Mtr		B	B	B	B	A	A	A	A	A	A	A	C	C	C	C
	RPM		770	805	840	870	900	935	960	990	1020	1045	1075	1100	1130	1155	1180
	Turns Open		5.5	5	4	3	5.5	4.5	4	3	2.5	2	1	4	3.5	2.5	2
7000	BHP	2.22	2.34	2.48	2.62	2.74	2.86	2.98	3.10	3.22	3.34	3.49	3.61	3.73	3.90	4.06	4.22
	Sheave/Mtr	B	B	B	B	A	A	A	A	A	A	A	A	C	C	C	C
	RPM	755	785	820	855	885	915	945	975	1005	1030	1060	1085	1110	1140	1165	1190
	Turns Open	6	5.5	4.5	3.5	6	5	4.5	3.5	3	2.5	1.5	1	3.5	3	2.5	2
7200	BHP	2.38	2.52	2.64	2.78	2.92	3.06	3.21	3.35	3.47	3.62	3.74	3.88	4.00	4.16	4.32	4.48
	Sheave/Mtr	B	B	B	B	A	A	A	A	A	A	A	C	C	C	C	C
	RPM	770	805	835	870	900	930	960	990	1015	1045	1070	1100	1125	1150	1175	1200
	Turns Open	5.5	5	4	3.5	5.5	4.5	4	3	2.5	2	1.5	4	3.5	3	2	1.5
7400	BHP	2.56	2.68	2.82	2.95	3.09	3.24	3.38	3.53	3.67	3.84	3.98	4.12	4.26	4.42	4.58	4.74
	Sheave/Mtr	B	B	B	A	A	A	A	A	A	A	A	C	C	C	C	C
	RPM	790	820	855	885	915	945	975	1005	1030	1060	1085	1110	1135	1160	1185	1210
	Turns Open	5	4.5	3.5	6	5	4.5	3.5	3	2.5	1.5	1	3.5	3	2.5	2	1.5
7600	BHP	2.74	2.86	2.98	3.12	3.26	3.41	3.55	3.70	3.89	4.05	4.21	4.40	4.53	4.69	4.85	5.01
	Sheave/Mtr	B	B	B	A	A	A	A	A	A	A	C	C	C	C	C	E
	RPM	810	840	870	900	930	960	990	1015	1045	1070	1095	1125	1145	1170	1195	1220
	Turns Open	4.5	4	3.5	5.5	4.5	4	3	2.5	2	1.5	4	3.5	3	2.5	2	1.5

A = Standard Static/Standard Motor, B = Low Static/Standard Motor, C = High Static/Standard Motor, D = Standard Static/Large Motor, E = High Static/Large Motor
 Unit factory shipped with standard static sheave and drive at 2.5 turns open. Other speed require field selection.
 For applications requiring higher static pressures, contact your local representative. Performance data does not include drive losses and is based on sea level conditions.
 Do not operate in black regions. All airflow is rated at lowest Voltage if unit is dual Voltage rated, i.e. 208V for 208-230V units.

Table Continued on Next Page

Blower Performance Data – HBV240 Standard Unit

Table Continued from Previous Page

All Data is Wet Coil

SCFM	ESP	0.00	0.10	0.20	0.30	0.40	0.50	0.60	0.70	0.80	0.90	1.00	1.10	1.20	1.30	1.40	1.50
7800	BHP	2.98	3.13	3.25	3.39	3.54	3.68	3.83	3.99	4.15	4.34	4.50	4.66	4.82	4.95	5.11	5.27
	Sheave/Mtr	B	B	A	A	A	A	A	A	A	C	C	C	C	C	E	E
	RPM	830	860	885	915	945	975	1005	1030	1055	1085	1110	1135	1160	1180	1205	1230
	Turns Open	4	3.5	6	5	4.5	3.5	3	2.5	1.5	0	3.5	3	2.5	2	1.5	1
8000	BHP	3.18	3.30	3.44	3.61	3.78	3.94	4.10	4.29	4.45	4.61	4.77	4.93	5.09	5.25	5.38	5.54
	Sheave/Mtr	B	B	A	A	A	A	A	A	A	C	C	C	E	E	E	E
	RPM	850	875	900	930	960	990	1015	1045	1070	1095	1120	1145	1170	1195	1215	1240
	Turns Open	4	3.5	5.5	4.5	4	3.5	2.5	2	1.5	4	3.5	3	2.5	2	1.5	1
8200	BHP	3.35	3.48	3.65	3.79	3.96	4.13	4.27	4.44	4.58	4.72	4.88	5.08	5.24	5.44	5.64	
	Sheave/Mtr	B	A	A	A	A	A	A	A	A	C	C	E	E	E	E	
	RPM	865	890	920	945	975	1005	1030	1060	1085	1110	1135	1160	1180	1205	1230	
	7000	3.5	5.5	5	4.5	3.5	3	2.5	1.5	1	3.5	3	2.5	2	1.5	1	
8400	BHP	3.62	3.74	3.89	4.03	4.18	4.33	4.49	4.65	4.81	4.97	5.16	5.36	5.56	5.72	5.92	
	Sheave/Mtr	A	A	A	A	A	A	A	A	C	C	E	E	E	E	E	
	RPM	880	905	935	965	995	1020	1045	1070	1095	1120	1145	1170	1195	1215	1240	
	Turns Open	6	5.5	4.5	4	3	2.5	2	1.5	4	3.5	3	2.5	2	1.5	1	
8600	BHP	3.81	3.98	4.12	4.29	4.46	4.62	4.78	4.94	5.10	5.28	5.48	5.64	5.84	6.04	6.20	
	Sheave/Mtr	A	A	A	A	A	A	A	A	E	E	E	E	E	E	E	
	RPM	895	925	950	980	1010	1035	1060	1085	1110	1135	1160	1180	1205	1230	1250	
	Turns Open	5.5	5	4	3.5	3	2	1.5	1	3.5	3	2.5	2	1.5	1.5	1	
8800	BHP	4.06	4.22	4.41	4.57	4.73	4.92	5.08	5.24	5.40	5.60	5.76	5.96	6.16	6.32		
	Sheave/Mtr	A	A	A	A	A	A	D	E	E	E	E	E	E	E		
	RPM	915	940	970	995	1020	1050	1075	1100	1125	1150	1170	1195	1220	1240		
	Turns Open	5	4.5	3.5	3	2.5	1.5	1	4	3	3	2.5	2	1.5	1		
9000	BHP	4.38	4.54	4.70	4.86	5.02	5.18	5.34	5.50	5.68	5.88	6.08	6.24	6.44	6.60		
	Sheave/Mtr	A	A	A	A	D	D	D	E	E	E	E	E	E	E		
	RPM	935	960	985	1010	1035	1060	1085	1110	1135	1160	1185	1205	1230	1250		
	Turns Open	4.5	4	3.5	3	2	1.5	1	3.5	3	2.5	2	1.5	1	1		
9200	BHP	4.65	4.76	4.90	5.08	5.26	5.44	5.62	5.80	6.00	6.16	6.36	6.56	6.72			
	Sheave/Mtr	A	A	A	D	D	D	E	E	E	E	E	E	E			
	RPM	955	975	1000	1025	1050	1075	1100	1125	1150	1170	1195	1220	1240			
	Turns Open	4	3.5	3	2.5	1.5	1	4	3.5	2.5	2.5	2	1.5	1			
9400	BHP	4.83	4.94	5.12	5.32	5.52	5.72	5.92	6.12	6.32	6.48	6.68	6.88				
	Sheave/Mtr	A	A	D	D	D	D	E	E	E	E	E	E				
	RPM	970	990	1015	1040	1065	1090	1115	1140	1165	1185	1210	1235				
	Turns Open	3.5	3.5	2.5	2	1.5	1	3.5	3	2.5	2	1.5	1				
9600	BHP	5.10	5.24	5.44	5.64	5.84	6.04	6.24	6.40	6.60	6.80	6.96	7.16				
	Sheave/Mtr	D	D	D	D	D	E	E	E	E	E	E	E				
	RPM	985	1005	1030	1055	1080	1105	1130	1150	1175	1200	1220	1245				
	Turns Open	3.5	3	2	1.5	1	4	3.5	3	2.5	2	1.5	1				

A = Standard Static/Standard Motor, B = Low Static/Standard Motor, C = High Static/Standard Motor, D = Standard Static/Large Motor, E = High Static/Large Motor
 Unit factory shipped with standard static sheave and drive at 2.5 turns open. Other speed require field selection.
 For applications requiring higher static pressures, contact your local representative. Performance data does not include drive losses and is based on sea level conditions.
 Do not operate in black regions. All airflow is rated at lowest Voltage if unit is dual Voltage rated, i.e. 208V for 208-230V units.

Blower Performance Data – HBV300 Standard Unit

All Data is Wet Coil

SCFM	ESP	0.00	0.10	0.20	0.30	0.40	0.50	0.60	0.70	0.80	0.90	1.00	1.10	1.20	1.30	1.40	1.50
7500	BHP	2.69	2.84	2.96	3.11	3.27	3.45	3.60	3.78	3.96	4.08	4.23	4.38	4.53	4.69	4.86	5.03
	Sheave/Mtr	B	B	B	B	A	A	A	A	A	A	A	A	A	C	C	C
	RPM	890	925	955	990	1020	1050	1075	1105	1135	1155	1180	1205	1230	1255	1275	1295
	Turns Open	4.5	3.5	2.5	2	5.5	5	4.5	3.5	3	3	2	1.5	1	3.5	3	2.5
7800	BHP	2.87	3.04	3.18	3.36	3.54	3.72	3.87	4.05	4.20	4.35	4.50	4.65	4.80	4.97	5.14	5.30
	Sheave/Mtr	B	B	B	A	A	A	A	A	A	A	A	A	C	C	C	C
	RPM	910	945	975	1010	1040	1070	1095	1125	1150	1175	1200	1225	1250	1270	1290	1310
	Turns Open	4	3	2	5.5	5	4.5	4	3	2.5	2.5	1.5	1	4	3	2.5	2.5
8100	BHP	3.10	3.26	3.42	3.60	3.78	3.96	4.14	4.34	4.52	4.70	4.88	5.06	5.21	5.35	5.53	5.68
	Sheave/Mtr	B	B	B	A	A	A	A	A	A	A	A	C	C	C	C	C
	RPM	935	965	995	1025	1055	1085	1115	1145	1170	1195	1220	1245	1265	1285	1310	1330
	Turns Open	3.5	2.5	1.5	5.5	5	4	3.5	3	2.5	2	1.5	4	3.5	3	2.5	2
8400	BHP	3.36	3.52	3.74	3.92	4.14	4.36	4.57	4.75	4.93	5.11	5.29	5.47	5.62	5.80	5.94	6.12
	Sheave/Mtr	B	B	A	A	A	A	A	A	A	A	A	C	C	C	C	C
	RPM	955	985	1020	1045	1075	1105	1135	1160	1185	1210	1235	1260	1280	1305	1325	1350
	Turns Open	3	2	5.5	5	4.5	3.5	3	2.5	2	1.5	1	3.5	3	2.5	2	1.5
8700	BHP	3.60	3.79	4.00	4.22	4.43	4.65	4.83	5.01	5.19	5.37	5.55	5.76	5.97	6.14	6.35	6.56
	Sheave/Mtr	B	A	A	A	A	A	A	A	A	A	C	C	C	C	C	C
	RPM	975	1005	1035	1065	1095	1125	1150	1175	1200	1225	1250	1275	1300	1320	1345	1370
	Turns Open	2.5	6	5	4.5	4	3	3	2	1.5	1	3.5	3	2.5	2	1.5	1
9000	BHP	3.90	4.12	4.30	4.51	4.73	4.91	5.09	5.30	5.48	5.66	5.89	6.08	6.32	6.56	6.76	
	Sheave/Mtr	A	A	A	A	A	A	A	A	A	C	C	C	C	C	C	
	RPM	1000	1030	1055	1085	1115	1140	1165	1195	1220	1245	1270	1290	1315	1340	1360	
	Turns Open	6	5.5	4.5	4	3.5	3	2.5	1.5	1	3.5	3	2.5	2	1.5	1.5	
9300	BHP	4.34	4.56	4.74	4.96	5.14	5.35	5.53	5.71	5.89	6.08	6.29	6.50	6.67	6.88	7.05	
	Sheave/Mtr	A	A	A	A	A	A	A	A	A	C	C	C	C	C	C	
	RPM	1020	1050	1075	1105	1130	1160	1185	1210	1235	1260	1285	1310	1330	1355	1375	
	Turns Open	5.5	5	4.5	3.5	3	2.5	2	1.5	1	3	3	2.5	2	1.5	1	
9600	BHP	4.64	4.85	5.03	5.25	5.46	5.67	5.88	6.13	6.34	6.52	6.66	6.84	7.02	7.16		
	Sheave/Mtr	A	A	A	A	A	A	A	A	C	C	C	C	C	C		
	RPM	1040	1070	1095	1125	1150	1175	1200	1230	1255	1280	1300	1325	1350	1370		
	Turns Open	5	4.5	4	3.5	3	2	1.5	1	3.5	3	2.5	2	1.5	1		
9900	BHP	4.93	5.15	5.33	5.53	5.78	5.99	6.20	6.41	6.62	6.83	7.04	7.21	7.42			
	Sheave/Mtr	A	A	A	A	A	A	A	C	C	C	C	C	C			
	RPM	1060	1090	1115	1140	1170	1195	1220	1245	1270	1295	1320	1340	1365			
	Turns Open	4.5	4	3.5	3	2.5	1.5	1.5	3.5	3	2.5	2	2	1.5			
10200	BHP	5.36	5.57	5.77	5.95	6.17	6.35	6.53	6.74	6.94	7.18	7.42	7.61				
	Sheave/Mtr	A	A	A	A	A	A	C	C	C	C	C	E				
	RPM	1085	1110	1135	1160	1190	1215	1240	1265	1285	1310	1335	1355				
	Turns Open	4	3.5	3	2.5	2	1.5	4	3	3	2.5	2	1.5				
10500	BHP	5.52	5.75	5.99	6.23	6.47	6.71	6.95	7.19	7.43	7.62	7.86	8.10				
	Sheave/Mtr	A	A	A	A	A	A	C	C	C	E	E	E				
	RPM	1100	1130	1155	1180	1205	1230	1255	1280	1305	1325	1350	1375				
	Turns Open	4	3	2.5	2	1.5	1	3.5	3	2.5	2	1.5	1				
10800	BHP	6.00	6.24	6.48	6.72	6.96	7.20	7.39	7.63	7.87	8.11	8.30					
	Sheave/Mtr	A	A	A	A	A	C	C	E	E	E	E					
	RPM	1125	1150	1175	1200	1225	1250	1270	1295	1320	1345	1365					
	7000	3.5	3	5	1.5	1	3.5	3.5	2.5	2	1.5	1.5					

A = Standard Static/Standard Motor, B = Low Static/Standard Motor, C = High Static/Standard Motor, D = Standard Static/Large Motor, E = High Static/Large Motor
 Unit factory shipped with standard static sheave and drive at 2.5 turns open. Other speed require field selection.
 For applications requiring higher static pressures, contact your local representative. Performance data does not include drive losses and is based on sea level conditions.
 Do not operate in black regions. All airflow is rated at lowest Voltage if unit is dual Voltage rated, i.e. 208V for 208-230V units.

Blower Performance Data – 072 VFD

All Data is Wet Coil

SCFM	ESP	0.00	0.10	0.20	0.30	0.40	0.50	0.60	0.70	0.80	0.90	1.00	1.10	1.20	1.30	1.40	1.50	
1800	BHP			0.28	0.32	0.35	0.39	0.42	0.45	0.48	0.52	0.56	0.60	0.64	0.69	0.72	0.76	
1800	Torque Setting			B	B	B	A	A	A	A	A	A	C	C	C	C	C	
1800	RPM			599	645	690	735	775	815	850	885	910	940	965	995	1015	1040	
1900	BHP			0.31	0.36	0.40	0.44	0.49	0.53	2.50	0.62	0.65	0.69	0.73	0.76	0.80	0.84	
1900	Torque Setting			B	B	A	A	A	A	A	A	C	C	C	C	C	C	
1900	RPM			604	655	695	740	780	820	855	890	920	950	980	1005	1030	1055	
2000	BHP		0.31	0.34	0.39	0.45	0.50	0.54	0.59	0.63	0.67	0.72	0.75	0.79	0.82	0.86	0.90	
2000	Torque Setting			B	B	B	A	A	A	A	A	C	C	C	C	C	C	
2000	RPM			568	615	660	705	750	785	825	860	895	930	960	990	1015	1040	1065
2100	BHP	0.33	0.38	0.42	0.46	0.50	0.54	0.59	0.65	0.70	0.74	0.78	0.81	0.85	0.89	0.94	0.98	
2100	Torque Setting	B	B	B	A	A	A	A	A	A	A	C	C	C	C	C	C	
2100	RPM	531	583	630	670	715	755	795	835	875	905	940	970	1000	1025	1055	1080	
2200	BHP	0.37	0.40	0.45	0.49	0.55	0.60	0.65	0.70	0.75	0.79	0.83	0.87	0.92	0.96	1.00	1.04	
2200	Torque Setting	B	B	B	A	A	A	A	A	A	C	C	C	C	C	E	E	
2200	RPM	552	599	645	685	730	770	810	850	885	915	950	980	1010	1040	1065	1090	
2300	BHP	0.42	0.47	0.51	0.56	0.60	0.65	0.70	0.75	0.80	0.84	0.89	0.94	1.00	1.05	1.10	1.16	
2300	Torque Setting	B	B	B	A	A	A	A	A	A	C	C	C	C	C	C	C	
2300	RPM	573	620	660	705	745	785	820	860	895	925	960	990	1020	1050	1075	1105	
2400	BHP	0.48	0.52	0.57	0.61	0.66	0.72	0.78	0.83	0.87	0.92	0.97	1.02	1.07	1.13	1.19	1.25	
2400	Torque Setting	B	B	A	A	A	A	A	A	A	C	C	C	C	C	C	C	
2400	RPM	604	645	690	730	765	805	845	880	910	945	975	1010	1035	1065	1095	1125	
2500	BHP	0.52	0.57	0.61	0.66	0.72	0.78	0.83	0.89	0.94	1.00	1.03	1.08	1.14	1.20	1.25	1.31	
2500	Torque Setting	B	B	A	A	A	A	A	A	C	C	C	C	C	C	C	C	
2500	RPM	620	660	700	740	780	815	850	885	920	950	985	1015	1045	1075	1100	1130	
2600	BHP	0.56	0.61	0.66	0.70	0.76	0.82	0.88	0.93	0.98	1.04	1.08	1.14	1.20	1.26	1.32	1.37	
2600	Torque Setting	B	A	A	A	A	A	A	A	C	C	C	C	C	C	C	C	
2600	RPM	635	675	715	750	790	825	860	895	925	960	990	1020	1050	1080	1110	1135	
2700	BHP	0.61	0.66	0.71	0.76	0.82	0.87	0.93	0.98	1.04	1.10	1.15	1.21	1.27	1.33	1.39	1.45	
2700	Torque Setting	B	A	A	A	A	A	A	A	C	C	C	C	C	C	C	C	
2700	RPM	655	695	730	770	805	840	875	905	940	970	1000	1030	1060	1090	1120	1145	
2800	BHP	0.66	0.72	0.77	0.83	0.88	0.93	0.99	1.05	1.11	1.16	1.22	1.30	1.37	1.44	1.51	1.57	
2800	Torque Setting	B	A	A	A	A	A	A	A	C	C	C	C	C	C	C	C	
2800	RPM	670	710	750	785	815	850	885	915	950	980	1010	1040	1070	1100	1130	1155	
2900	BHP	0.71	0.77	0.82	0.87	0.93	0.98	1.04	1.10	1.16	1.22	1.30	1.36	1.43	1.50	1.57		
2900	Torque Setting	A	A	A	A	A	A	A	C	C	C	C	C	C	C	C		
2900	RPM	685	725	765	795	830	860	895	925	955	985	1020	1045	1075	1105	1135		
3000	BHP	0.79	0.84	0.90	0.95	1.01	1.07	1.13	1.19	1.25	1.31	1.38	1.46	1.52	1.59			
3000	Torque Setting	A	A	A	A	A	A	A	C	C	C	C	C	C	C			
3000	RPM	710	745	780	815	850	885	915	945	975	1005	1035	1065	1090	1120			

Note 1= Motor Sheave set to 1-turn open from factory.

Note 2= Factory torque setting is A. Can be adjusted in the field to any torque setting listed in drive table through 7602-444 Service Tool.

Note 3= The unit can also control the blower through LAT control. Must be set in field with 7602-444 Service Tool.

Note 4= Advanced control panel can be purchased as an accessory.

Blower Performance Data – 096 VFD

All Data is Wet Coil

SCFM	ESP	0.00	0.10	0.20	0.30	0.40	0.50	0.60	0.70	0.80	0.90	1.00	1.10	1.20	1.30	1.40	1.50
2400	BHP	0.45	0.50	0.54	0.59	0.63	0.69	0.74	0.80	0.85	0.90	0.94	0.99	1.04	1.10	1.16	1.22
2400	Torque Setting	B	B	B	B	B	A	A	A	A	A	A	A	A	A	C	C
2400	RPM	578	625	665	705	745	785	820	860	895	925	960	990	1020	1050	1080	1110
2500	BHP	0.50	0.55	0.59	0.64	0.69	0.75	0.81	0.88	0.92	0.97	1.01	1.06	1.12	1.17	1.23	1.29
2500	Torque Setting	B	B	B	B	A	A	A	A	A	A	A	A	A	C	C	C
2500	RPM	599	645	685	725	765	800	835	875	905	940	970	1005	1035	1060	1090	1120
2600	BHP	0.55	0.60	0.65	0.69	0.75	0.80	0.86	0.92	0.97	1.02	1.08	1.13	1.19	1.25	1.30	1.36
2600	Torque Setting	B	B	B	B	A	A	A	A	A	A	A	A	A	C	C	C
2600	RPM	625	665	705	740	780	815	850	885	920	950	985	1015	1045	1075	1100	1130
2700	BHP	0.60	0.65	0.70	0.75	0.80	0.86	0.91	0.97	1.02	1.08	1.14	1.20	1.26	1.32	1.38	1.44
2700	Torque Setting	B	B	B	A	A	A	A	A	A	A	A	A	C	C	C	C
2700	RPM	645	685	725	760	795	830	865	900	930	960	995	1025	1055	1085	1115	1140
2800	BHP	0.65	0.71	0.76	0.82	0.87	0.93	0.98	1.04	1.10	1.16	1.21	1.28	1.36	1.43	1.50	1.56
2800	Torque Setting	B	B	B	A	A	A	A	A	A	A	A	A	C	C	C	C
2800	RPM	665	705	745	780	810	845	880	910	945	975	1005	1035	1065	1095	1125	1150
2900	BHP	0.71	0.76	0.82	0.87	0.92	0.98	1.03	1.09	1.16	1.22	1.29	1.36	1.43	1.50	1.57	1.63
2900	Torque Setting	B	B	A	A	A	A	A	A	A	A	A	A	C	C	C	C
2900	RPM	685	720	760	795	825	860	890	920	955	985	1015	1045	1075	1105	1135	1160
3000	BHP	0.78	0.84	0.89	0.95	1.00	1.06	1.12	1.18	1.24	1.30	1.37	1.43	1.50	1.58	1.64	1.71
3000	Torque Setting	B	B	A	A	A	A	A	A	A	A	A	C	C	C	C	C
3000	RPM	700	740	775	810	845	880	910	940	970	1000	1030	1055	1085	1115	1140	1170
3100	BHP	0.85	0.91	0.96	1.02	1.08	1.14	1.22	1.29	1.36	1.44	1.50	1.57	1.63	1.70	1.76	1.82
3100	Torque Setting	B	B	A	A	A	A	A	A	A	A	A	C	C	C	C	C
3100	RPM	720	755	790	825	860	890	925	955	985	1015	1040	1070	1095	1125	1150	1175
3200	BHP	0.93	1.00	1.07	1.14	1.20	1.26	1.32	1.38	1.44	1.51	1.57	1.64	1.70	1.78	1.85	1.92
3200	Torque Setting	B	A	A	A	A	A	A	A	A	A	C	C	C	C	C	C
3200	RPM	740	775	810	845	875	905	935	965	995	1025	1050	1080	1105	1135	1160	1185
3300	BHP	1.01	1.08	1.14	1.21	1.28	1.33	1.39	1.45	1.51	1.58	1.64	1.72	1.78	1.84	1.93	2.00
3300	Torque Setting	B	A	A	A	A	A	A	A	A	A	C	C	C	C	C	C
3300	RPM	755	790	820	855	890	915	945	975	1005	1035	1060	1090	1115	1140	1170	1195
3400	BHP	1.08	1.15	1.22	1.29	1.35	1.41	1.47	1.53	1.59	1.68	1.75	1.83	1.90	1.96	2.02	2.08
3400	Torque Setting	A	A	A	A	A	A	A	A	A	A	C	C	C	C	C	C
3400	RPM	765	800	835	870	900	930	960	990	1015	1045	1070	1100	1125	1150	1175	1200
3500	BHP	1.16	1.23	1.29	1.36	1.42	1.48	1.54	1.60	1.66	1.73	1.79	1.85	1.92	2.01	2.09	2.17
3500	Torque Setting	A	A	A	A	A	A	A	A	A	C	C	C	C	C	C	C
3500	RPM	780	815	845	880	910	940	970	1000	1025	1055	1080	1105	1130	1160	1185	1210
3600	BHP	1.24	1.30	1.37	1.44	1.51	1.58	1.65	1.72	1.78	1.86	1.92	1.98	2.06	2.13	2.21	2.29
3600	Torque Setting	A	A	A	A	A	A	A	A	A	C	C	C	C	C	C	C
3600	RPM	795	825	860	890	920	950	980	1010	1035	1065	1090	1115	1145	1165	1190	1215
3700	BHP	1.34	1.40	1.46	1.53	1.61	1.68	1.75	1.82	1.90	1.97	2.06	2.13	2.21	2.28	2.36	2.44
3700	Torque Setting	A	A	A	A	A	A	A	A	C	C	C	C	C	C	C	C
3700	RPM	820	850	880	910	940	970	1000	1025	1055	1080	1110	1135	1160	1180	1205	1230
3800	BHP	1.43	1.49	1.56	1.63	1.70	1.78	1.86	1.94	2.02	2.12	2.20	2.28	2.34	2.42	2.50	2.58
3800	Torque Setting	A	A	A	A	A	A	A	A	C	C	C	C	C	C	C	C
3800	RPM	840	870	900	930	960	990	1020	1045	1070	1100	1125	1150	1170	1195	1220	1245
3900	BHP	1.58	1.64	1.71	1.78	1.85	1.93	2.01	2.09	2.19	2.27	2.35	2.41	2.49	2.57	2.65	
3900	Torque Setting	A	A	A	A	A	A	A	A	C	C	C	C	C	C	C	
3900	RPM	865	890	920	950	980	1010	1035	1060	1090	1115	1140	1160	1185	1210	1235	
4000	BHP	1.68	1.75	1.83	1.92	2.00	2.08	2.16	2.26	2.34	2.42	2.50	2.56	2.64	2.72	2.80	
4000	Torque Setting	A	A	A	A	A	A	A	C	C	C	C	C	C	C	C	
4000	RPM	885	910	940	970	1000	1025	1050	1080	1105	1130	1155	1175	1200	1225	1250	

Note 1= Motor Sheave set to 1-turn open from factory.

Note 2= Factory torque setting is A. Can be adjusted in the field to any torque setting listed in drive table through 7602-444 Service Tool.

Note 3= The unit can also control the blower through LAT control. Must be set in field with 7602-444 Service Tool.

Note 4= Advanced control panel can be purchased as an accessory.

Blower Performance Data – 120 VFD

All Data is Wet Coil

SCFM	ESP	0.00	0.10	0.20	0.30	0.40	0.50	0.60	0.70	0.80	0.90	1.00	1.10	1.20	1.30	1.40	1.50
3000	BHP	0.75	0.81	0.86	0.91	0.97	1.03	1.09	1.15	1.21	1.27	1.34	1.41	1.47	1.54	1.61	1.67
3000	Torque Setting	B	B	B	B	B	B	A	A	A	A	A	A	A	A	A	A
3000	RPM	680	720	755	790	825	860	895	925	955	985	1015	1045	1070	1100	1130	1155
3100	BHP	0.82	0.88	0.94	0.99	1.04	1.10	1.17	1.26	1.33	1.40	1.46	1.53	1.59	1.66	1.72	1.80
3100	Torque Setting	B	B	B	B	B	A	A	A	A	A	A	A	A	A	A	C
3100	RPM	700	735	775	805	840	875	905	940	970	1000	1025	1055	1080	1110	1135	1165
3200	BHP	0.90	0.96	1.03	1.10	1.17	1.23	1.29	1.35	1.41	1.47	1.55	1.61	1.68	1.74	1.81	1.89
3200	Torque Setting	B	B	B	B	B	A	A	A	A	A	A	A	A	A	A	C
3200	RPM	720	755	790	825	860	890	920	950	980	1010	1040	1065	1095	1120	1145	1175
3300	BHP	0.98	1.04	1.11	1.18	1.25	1.31	1.37	1.43	1.49	1.55	1.62	1.68	1.75	1.81	1.88	1.95
3300	Torque Setting	B	B	B	B	A	A	A	A	A	A	A	A	A	A	A	C
3300	RPM	740	770	805	840	875	905	935	965	995	1020	1050	1075	1105	1130	1155	1180
3400	BHP	1.06	1.13	1.19	1.26	1.33	1.38	1.44	1.50	1.56	1.65	1.72	1.80	1.87	1.94	2.00	2.06
3400	Torque Setting	B	B	B	B	A	A	A	A	A	A	A	A	A	A	C	C
3400	RPM	755	790	820	855	890	915	945	975	1005	1035	1060	1090	1115	1140	1165	1190
3500	BHP	1.14	1.21	1.27	1.34	1.40	1.46	1.52	1.58	1.65	1.71	1.77	1.84	1.90	1.98	2.06	2.14
3500	Torque Setting	B	B	B	A	A	A	A	A	A	A	A	A	A	A	C	C
3500	RPM	770	805	835	870	900	930	960	990	1020	1045	1070	1100	1125	1150	1175	1200
3600	BHP	1.23	1.29	1.36	1.42	1.50	1.57	1.64	1.71	1.77	1.84	1.90	1.96	2.05	2.13	2.21	2.27
3600	Torque Setting	B	B	B	A	A	A	A	A	A	A	A	A	A	C	C	C
3600	RPM	790	820	855	885	915	945	975	1005	1030	1060	1085	1110	1140	1165	1190	1210
3700	BHP	1.32	1.38	1.44	1.51	1.58	1.65	1.73	1.81	1.88	1.96	2.03	2.10	2.18	2.26	2.34	2.42
3700	Torque Setting	B	B	A	A	A	A	A	A	A	A	A	A	A	C	C	C
3700	RPM	810	840	870	900	930	960	990	1020	1045	1075	1100	1125	1150	1175	1200	1225
3800	BHP	1.41	1.47	1.54	1.61	1.68	1.75	1.82	1.91	1.99	2.07	2.17	2.25	2.31	2.39	2.47	2.55
3800	Torque Setting	B	B	A	A	A	A	A	A	A	A	A	A	A	C	C	C
3800	RPM	830	860	890	920	950	980	1005	1035	1060	1085	1115	1140	1160	1185	1210	1235
3900	BHP	1.54	1.60	1.67	1.74	1.82	1.89	1.96	2.04	2.14	2.22	2.30	2.38	2.46	2.52	2.60	2.68
3900	Torque Setting	B	A	A	A	A	A	A	A	A	A	A	A	C	C	C	C
3900	RPM	850	875	905	935	965	995	1020	1045	1075	1100	1125	1150	1175	1195	1220	1245
4000	BHP	1.63	1.71	1.78	1.86	1.94	2.03	2.11	2.19	2.27	2.37	2.45	2.51	2.59	2.67	2.75	2.85
4000	Torque Setting	A	A	A	A	A	A	A	A	A	A	A	A	C	C	C	C
4000	RPM	865	895	920	950	980	1010	1035	1060	1085	1115	1140	1160	1185	1210	1235	1260
4100	BHP	1.73	1.81	1.90	1.97	2.05	2.12	2.20	2.27	2.34	2.42	2.52	2.62	2.70	2.80	2.90	
4100	Torque Setting	A	A	A	A	A	A	A	A	A	A	A	C	C	C	C	
4100	RPM	885	915	945	970	1000	1025	1055	1080	1105	1130	1155	1180	1200	1225	1250	
4200	BHP	1.87	1.94	2.02	2.08	2.16	2.24	2.32	2.40	2.48	2.58	2.68	2.76	2.86	2.96		
4200	Torque Setting	A	A	A	A	A	A	A	A	A	A	C	C	C	C		
4200	RPM	905	935	965	990	1020	1045	1070	1095	1120	1145	1170	1190	1215	1240		
4300	BHP	2.00	2.07	2.16	2.23	2.31	2.41	2.49	2.57	2.66	2.74	2.84	2.94	3.02	3.15		
4300	Torque Setting	A	A	A	A	A	A	A	A	A	C	C	C	E	E		

Note 1= Motor Sheave set to 1-turn open from factory.

Note 2= Factory torque setting is A. Can be adjusted in the field to any torque setting listed in drive table through 7602-444 Service Tool.

Note 3= The unit can also control the blower through LAT control. Must be set in field with 7602-444 Service Tool.

Note 4= Advanced control panel can be purchased as an accessory.

Table Continued on Next Page

Blower Performance Data – 120 VFD

Table Continued from Previous Page

All Data is Wet Coil

SCFM	ESP	0.00	0.10	0.20	0.30	0.40	0.50	0.60	0.70	0.80	0.90	1.00	1.10	1.20	1.30	1.40	1.50
4300	RPM	930	955	985	1010	1035	1065	1090	1115	1140	1160	1185	1210	1230	1255		
4400	BHP	2.14	2.22	2.32	2.40	2.48	2.56	2.65	2.74	2.82	2.92	3.00	3.10	3.18			
4400	Torque Setting	A	A	A	A	A	A	A	A	A	C	C	C	C			
4400	RPM	950	975	1005	1030	1055	1080	1110	1135	1155	1180	1200	1225	1245			
4500	BHP	2.30	2.38	2.46	2.54	2.62	2.72	2.80	2.88	3.00	3.08	3.16	3.26				
4500	Torque Setting	A	A	A	A	A	A	A	A	A	C	C	C				
4500	RPM	970	995	1020	1045	1070	1100	1125	1145	1170	1195	1215	1240				
4600	BHP	2.39	2.45	2.54	2.63	2.72	2.83	2.92	3.00	3.10	3.18	3.28	3.38				
4600	Torque Setting	A	A	A	A	A	A	A	A	A	C	C	C				
4600	RPM	980	1000	1025	1050	1075	1105	1130	1150	1175	1195	1220	1245				
4700	BHP	2.46	2.52	2.62	2.72	2.82	2.92	3.02	3.12	3.22	3.32	3.40	3.50				
4700	Torque Setting	A	A	A	A	A	A	A	A	C	C	C	C				
4700	RPM	985	1005	1030	1055	1080	1105	1130	1155	1180	1205	1225	1250				
4800	BHP	2.57	2.64	2.74	2.84	2.94	3.04	3.14	3.24	3.32	3.42	3.52	3.60				
4800	Torque Setting	A	A	A	A	A	A	A	A	C	C	C	C				
4800	RPM	990	1010	1035	1060	1085	1110	1135	1160	1180	1205	1230	1250				
4900	BHP	2.68	2.78	2.88	3.00	3.06	3.16	3.26	3.36	3.44	3.54	3.64	3.75				
4900	Torque Setting	A	A	A	A	A	A	A	C	C	C	C	C				
4900	RPM	995	1020	1045	1070	1090	1115	1140	1165	1185	1210	1235	1255				
5000	BHP	2.82	2.92	3.00	3.10	3.20	3.28	3.38	3.48	3.56	3.66	3.74					
5000	Torque Setting	A	A	A	A	A	A	A	C	C	C	C					
5000	RPM	1005	1030	1050	1075	1100	1120	1145	1170	1190	1215	1235					

Note 1= Motor Sheave set to 1-turn open from factory.

Note 2= Factory torque setting is A. Can be adjusted in the field to any torque setting listed in drive table through 7602-444 Service Tool.

Note 3= The unit can also control the blower through LAT control. Must be set in field with 7602-444 Service Tool.

Note 4= Advanced control panel can be purchased as an accessory.

Blower Performance Data – 160 VFD

All Data is Wet Coil

SCFM	ESP	0.00	0.10	0.20	0.30	0.40	0.50	0.60	0.70	0.80	0.90	1.00	1.10	1.20	1.30	1.40	1.50
4200	BHP			0.69	0.78	0.86	0.95	1.02	1.11	1.21	1.32	1.41	1.50	1.57	1.64	1.72	1.80
4200	Torque Setting			B	B	B	B	A	A	A	A	A	A	A	C	C	C
4200	RPM			547	594	640	685	725	765	805	845	880	915	945	975	1005	1030
4400	BHP			0.75	0.83	0.92	1.01	1.11	1.21	1.31	1.41	1.51	1.60	1.68	1.76	1.85	1.94
4400	Torque Setting			B	B	B	B	A	A	A	A	A	A	A	C	C	C
4400	RPM			563	609	655	695	735	775	815	855	890	925	955	985	1015	1045
4600	BHP		0.75	0.85	0.95	1.03	1.11	1.19	1.30	1.40	1.50	1.60	1.70	1.78	1.89	2.00	2.10
4600	Torque Setting		B	B	B	B	B	A	A	A	A	A	A	C	C	C	C
4600	RPM		526	573	625	665	705	745	785	825	860	895	930	960	995	1025	1050
4800	BHP		0.83	0.94	1.03	1.12	1.20	1.30	1.40	1.53	1.63	1.73	1.82	1.92	2.00	2.12	2.22
4800	Torque Setting		B	B	B	B	A	A	A	A	A	A	A	C	C	C	C
4800	RPM		542	594	640	680	720	760	795	835	870	905	935	970	1000	1030	1055
5000	BHP		0.93	1.02	1.11	1.20	1.31	1.41	1.52	1.64	1.76	1.85	1.95	2.03	2.12	2.24	2.36
5000	Torque Setting		B	B	B	B	A	A	A	A	A	A	A	C	C	C	C
5000	RPM		563	609	650	690	735	770	805	840	880	910	945	975	1005	1035	1065
5200	BHP	0.93	1.02	1.10	1.20	1.29	1.39	1.50	1.61	1.72	1.83	1.94	2.06	2.15	2.26	2.38	2.50
5200	Torque Setting	B	B	B	B	B	A	A	A	A	A	A	A	C	C	C	C
5200	RPM	542	583	625	665	705	745	780	815	850	885	920	955	985	1015	1045	1075
5400	BHP	1.03	1.10	1.19	1.29	1.39	1.50	1.59	1.70	1.80	1.92	2.03	2.16	2.26	2.38	2.50	2.62
5400	Torque Setting	B	B	B	B	B	A	A	A	A	A	A	C	C	C	C	C
5400	RPM	563	599	640	680	720	760	790	825	860	895	925	960	990	1020	1050	1080
5600	BHP	1.12	1.19	1.28	1.39	1.50	1.61	1.72	1.84	1.93	2.06	2.17	2.29	2.40	2.54	2.69	2.83
5600	Torque Setting	B	B	B	B	A	A	A	A	A	A	A	C	C	C	C	C
5600	RPM	583	620	655	695	735	770	805	840	870	905	935	970	1000	1030	1060	1090
5800	BHP	1.17	1.28	1.39	1.49	1.60	1.70	1.81	1.90	2.02	2.14	2.28	2.40	2.52	2.67	2.81	2.96
5800	Torque Setting	B	B	B	B	A	A	A	A	A	A	A	C	C	C	C	C
5800	RPM	588	630	670	710	750	780	815	845	880	910	945	975	1005	1035	1065	1095
6000	BHP	1.25	1.40	1.51	1.61	1.73	1.84	1.94	2.05	2.18	2.30	2.42	2.54	2.67	2.79	2.94	3.08
6000	Torque Setting	B	B	B	A	A	A	A	A	A	A	A	C	C	C	C	C
6000	RPM	604	645	685	720	760	795	825	860	895	925	955	985	1015	1040	1070	1100
6200	BHP	1.40	1.51	1.62	1.75	1.86	1.98	2.09	2.20	2.34	2.49	2.63	2.78	2.92	3.06	3.18	
6200	Torque Setting	B	B	B	A	A	A	A	A	A	A	C	C	C	C	C	
6200	RPM	625	660	695	735	770	805	840	875	905	935	965	995	1025	1055	1080	
6400	BHP	1.55	1.68	1.79	1.90	2.04	2.18	2.32	2.44	2.56	2.68	2.80	2.92	3.07	3.19	3.33	
6400	Torque Setting	B	B	B	A	A	A	A	A	A	A	C	C	C	C	C	
6400	RPM	640	680	715	750	785	820	855	885	915	945	975	1005	1035	1060	1090	
6600	BHP	1.73	1.84	1.94	2.06	2.20	2.34	2.46	2.58	2.70	2.82	2.94	3.07	3.19	3.34	3.46	
6600	Torque Setting	B	B	A	A	A	A	A	A	A	A	C	C	C	C	C	
6600	RPM	665	700	730	765	800	835	865	895	925	955	985	1015	1040	1070	1095	
6800	BHP	1.87	1.98	2.08	2.20	2.34	2.48	2.62	2.74	2.86	2.96	3.08	3.24	3.38	3.55		
6800	Torque Setting	B	B	A	A	A	A	A	A	A	C	C	C	C	C		
6800	RPM	685	715	745	775	810	845	880	910	940	965	995	1025	1050	1080		
7000	BHP	2.03	2.13	2.22	2.36	2.50	2.62	2.76	2.88	3.00	3.12	3.22	3.37	3.49	3.61		
7000	Torque Setting	B	A	A	A	A	A	A	A	A	C	C	C	C	C		
7000	RPM	705	730	755	790	825	855	890	920	950	980	1005	1035	1060	1085		

Note 1= Motor Sheave set to 1-turn open from factory.

Note 2= Factory torque setting is A. Can be adjusted in the field to any torque setting listed in drive table through 7602-444 Service Tool.

Note 3= The unit can also control the blower through LAT control. Must be set in field with 7602-444 Service Tool.

Note 4= Advanced control panel can be purchased as an accessory.

Blower Performance Data – 192 VFD

All Data is Wet Coil

SCFM	ESP	0.00	0.10	0.20	0.30	0.40	0.50	0.60	0.70	0.80	0.90	1.00	1.10	1.20	1.30	1.40	1.50
4800	BHP		0.98	1.07	1.16	1.24	1.34	1.47	1.59	1.69	1.78	1.87	1.96	2.06	2.18	2.30	2.42
4800	Torque Setting		B	B	B	B	A	A	A	A	A	A	A	C	C	C	C
4800	RPM		615	660	700	740	775	815	855	890	920	955	985	1015	1045	1075	1105
5000	BHP	0.99	1.07	1.18	1.27	1.37	1.49	1.60	1.73	1.82	1.92	2.00	2.10	2.22	2.32	2.44	2.56
5000	Torque Setting	B	B	B	B	A	A	A	A	A	A	A	A	C	C	C	C
5000	RPM	594	635	680	720	760	795	830	870	900	935	965	1000	1030	1055	1085	1115
5200	BHP	1.09	1.18	1.28	1.36	1.48	1.59	1.70	1.82	1.93	2.02	2.14	2.24	2.36	2.48	2.60	2.72
5200	Sheave/Mtr	B	B	B	B	A	A	A	A	A	A	A	C	C	C	C	C
5200	RPM	620	660	700	735	775	810	845	880	915	945	980	1010	1040	1070	1100	1130
5400	BHP	1.19	1.29	1.39	1.48	1.59	1.70	1.80	1.92	2.03	2.16	2.26	2.38	2.50	2.62	2.74	2.87
5400	Torque Setting	B	B	B	A	A	A	A	A	A	A	A	C	C	C	C	C
5400	RPM	640	680	720	755	790	825	860	895	925	960	990	1020	1050	1080	1110	1140
5600	BHP	1.30	1.40	1.51	1.62	1.74	1.85	1.95	2.08	2.18	2.31	2.42	2.57	2.71	2.86	2.98	3.12
5600	Sheave/Mtr	B	B	B	A	A	A	A	A	A	A	C	C	C	C	C	C
5600	RPM	660	700	740	775	810	845	875	910	940	975	1005	1035	1065	1095	1120	1150
5800	BHP	1.41	1.52	1.63	1.73	1.84	1.95	2.06	2.18	2.32	2.44	2.57	2.72	2.86	3.00	3.15	3.27
5800	Torque Setting	B	B	A	A	A	A	A	A	A	A	C	C	C	C	C	C
5800	RPM	680	720	760	790	825	860	890	920	955	985	1015	1045	1075	1105	1135	1160
6000	BHP	1.56	1.67	1.78	1.89	2.00	2.12	2.24	2.36	2.48	2.60	2.74	2.89	3.01	3.15	3.30	3.42
6000	Torque Setting	B	B	A	A	A	A	A	A	A	C	C	C	C	C	C	C
6000	RPM	700	740	775	810	845	880	910	940	970	1000	1030	1060	1085	1115	1145	1170
6200	BHP	1.70	1.83	1.94	2.06	2.17	2.30	2.44	2.58	2.73	2.87	3.02	3.14	3.28	3.40	3.54	3.66
6200	Torque Setting	B	A	A	A	A	A	A	A	A	C	C	C	C	C	C	C
6200	RPM	720	760	795	830	865	895	925	955	985	1015	1045	1070	1100	1125	1155	1180
6400	BHP	1.88	2.02	2.16	2.28	2.42	2.54	2.66	2.78	2.90	3.04	3.16	3.31	3.43	3.58	3.72	3.86
6400	Torque Setting	B	A	A	A	A	A	A	A	C	C	C	C	C	C	C	C
6400	RPM	745	780	815	845	880	910	940	970	1000	1030	1055	1085	1110	1140	1165	1190
6600	BHP	2.06	2.18	2.32	2.46	2.58	2.70	2.82	2.94	3.07	3.19	3.34	3.46	3.60	3.74	3.88	4.02
6600	Torque Setting	A	A	A	A	A	A	A	A	C	C	C	C	C	C	C	C
6600	RPM	765	795	830	865	895	925	955	985	1015	1040	1070	1095	1125	1150	1175	1200
6800	BHP	2.22	2.36	2.50	2.62	2.74	2.86	3.00	3.10	3.27	3.41	3.58	3.72	3.85	3.97	4.11	4.23
6800	Torque Setting	A	A	A	A	A	A	A	A	C	C	C	C	C	C	C	C
6800	RPM	780	815	850	880	910	940	970	1000	1030	1055	1085	1110	1135	1160	1190	1215
7000	BHP	2.40	2.54	2.66	2.80	2.92	3.04	3.14	3.27	3.39	3.54	3.66	3.78	3.96	4.12	4.28	4.44
7000	Torque Setting	A	A	A	A	A	A	A	C	C	C	C	C	C	C	C	C
7000	RPM	800	835	865	900	930	960	985	1015	1040	1070	1095	1120	1150	1175	1200	1225
7200	BHP	2.58	2.70	2.85	2.99	3.14	3.28	3.42	3.54	3.66	3.81	3.93	4.06	4.22	4.38	4.54	4.70
7200	Torque Setting	A	A	A	A	A	A	C	C	C	C	C	C	C	C	C	C
7200	RPM	820	850	885	915	945	975	1005	1030	1055	1085	1110	1135	1160	1185	1210	1235
7400	BHP	2.76	2.88	3.02	3.16	3.31	3.45	3.61	3.75	3.92	4.06	4.20	4.36	4.52	4.68	4.81	4.97
7400	Torque Setting	A	A	A	A	A	A	C	C	C	C	C	C	C	C	C	C
7400	RPM	840	870	900	930	960	990	1020	1045	1075	1100	1125	1150	1175	1200	1220	1245
7600	BHP	2.94	3.07	3.22	3.36	3.50	3.63	3.82	3.98	4.14	4.34	4.50	4.66	4.78	4.94		
7600	Torque Setting	A	D	D	D	D	C	C	C	C	C	C	C	C	C		
7600	RPM	860	890	920	950	980	1005	1035	1060	1085	1115	1140	1165	1185	1210		
7800	BHP	3.22	3.34	3.49	3.63	3.78	3.96	4.12	4.28	4.44	4.63	4.76	4.92				
7800	Torque Setting	A	A	A	A	A	C	C	C	C	C	C	C				
7800	RPM	880	905	935	965	995	1025	1050	1075	1100	1130	1150	1175				
8000	BHP	3.41	3.58	3.75	3.92	4.06	4.26	4.42	4.58	4.74	4.90						
8000	Torque Setting	A	A	A	A	C	C	C	C	C	C						
8000	RPM	895	925	955	985	1010	1040	1065	1090	1115	1140						

Note 1= Motor Sheave set to 1-turn open from factory.

Note 2= Factory torque setting is A. Can be adjusted in the field to any torque setting listed in drive table through 7602-444 Service Tool.

Note 3= The unit can also control the blower through LAT control. Must be set in field with 7602-444 Service Tool.

Note 4= Advanced control panel can be purchased as an accessory.

Blower Performance Data – 240 VFD

All Data is Wet Coil

SCFM	ESP	0.00	0.10	0.20	0.30	0.40	0.50	0.60	0.70	0.80	0.90	1.00	1.10	1.20	1.30	1.40	1.50			
6000	BHP				1.78	1.89	2.00	2.12	2.24	2.36	2.48	2.60	2.74	2.89	3.01	3.15	3.30			
6000	Torque Setting				B	B	B	A	A	A	A	A	A	A	A	C	C			
6000	RPM				775	810	845	880	910	940	970	1000	1030	1060	1085	1115	1145			
6200	BHP			1.82	1.93	2.04	2.15	2.30	2.44	2.58	2.73	2.87	2.99	3.14	3.26	3.40	3.52			
6200	Torque Setting				B	B	B	A	A	A	A	A	A	A	C	C	C			
6200	RPM				755	790	825	860	895	925	955	985	1015	1040	1070	1095	1125	1150		
6400	BHP				2.00	2.14	2.26	2.40	2.52	2.64	2.76	2.88	3.02	3.14	3.28	3.40	3.56	3.70		
6400	Torque Setting				B	B	B	B	A	A	A	A	A	A	C	C	C			
6400	RPM				775	810	840	875	905	935	965	995	1025	1050	1080	1105	1135	1160		
6600	BHP		2.02	2.16	2.30	2.42	2.56	2.68	2.80	2.92	3.05	3.17	3.29	3.43	3.55	3.71	3.85			
6600	Torque Setting				B	B	B	A	A	A	A	A	A	A	C	C	C			
6600	RPM				755	790	825	855	890	920	950	980	1010	1035	1060	1090	1115	1145	1170	
6800	BHP			2.18	2.32	2.46	2.58	2.70	2.84	2.94	3.06	3.21	3.35	3.52	3.66	3.82	3.94	4.06		
6800	Torque Setting				B	B	B	A	A	A	A	A	A	C	C	C	C			
6800	RPM				770	805	840	870	900	935	960	990	1020	1045	1075	1100	1130	1155	1180	
7000	BHP	2.22	2.34	2.48	2.62	2.74	2.86	2.98	3.10	3.22	3.34	3.49	3.61	3.73	3.90	4.06	4.22			
7000	Torque Setting				B	B	B	A	A	A	A	A	A	C	C	C	C			
7000	RPM				755	785	820	855	885	915	945	975	1005	1030	1060	1085	1110	1140	1165	1190
7200	BHP	2.38	2.52	2.64	2.78	2.92	3.06	3.21	3.35	3.47	3.62	3.74	3.88	4.00	4.16	4.32	4.48			
7200	Torque Setting				B	B	B	A	A	A	A	A	C	C	C	C	C			
7200	RPM				770	805	835	870	900	930	960	990	1015	1045	1070	1100	1125	1150	1175	1200
7400	BHP	2.56	2.68	2.82	2.95	3.09	3.24	3.38	3.53	3.67	3.84	3.98	4.12	4.26	4.42	4.58	4.74			
7400	Torque Setting				B	B	B	A	A	A	A	A	C	C	C	C	C			
7400	RPM				790	820	855	885	915	945	975	1005	1030	1060	1085	1110	1135	1160	1185	1210
7600	BHP	2.74	2.86	2.98	3.12	3.26	3.41	3.55	3.70	3.89	4.05	4.21	4.40	4.53	4.69	4.85	5.01			
7600	Torque Setting				B	B	B	A	A	A	A	C	C	C	C	C	C			
7600	RPM				810	840	870	900	930	960	990	1015	1045	1070	1095	1125	1145	1170	1195	1220
7800	BHP	2.98	3.13	3.25	3.39	3.54	3.68	3.83	3.99	4.15	4.34	4.50	4.66	4.82	4.95	5.11	5.27			
7800	Torque Setting				B	B	A	A	A	A	A	C	C	C	C	C	C			
7800	RPM				830	860	885	915	945	975	1005	1030	1055	1085	1110	1135	1160	1180	1205	1230
8000	BHP	3.18	3.30	3.44	3.61	3.78	3.94	4.10	4.29	4.45	4.61	4.77	4.93	5.09	5.25	5.38	5.54			
8000	Torque Setting				B	B	A	A	A	A	A	C	C	C	C	C	C			
8000	RPM				850	875	900	930	960	990	1015	1045	1070	1095	1120	1145	1170	1195	1215	1240
8200	BHP	3.35	3.48	3.65	3.79	3.96	4.13	4.27	4.44	4.58	4.72	4.88	5.08	5.24	5.44	5.64				
8200	Torque Setting				B	A	A	A	A	A	A	C	C	C	C	C	C			
8200	RPM				865	890	920	945	975	1005	1030	1060	1085	1110	1135	1160	1180	1205	1230	
8400	BHP	3.62	3.74	3.89	4.03	4.18	4.33	4.49	4.65	4.81	4.97	5.16	5.36	5.56	5.72	5.92				
8400	Torque Setting				A	A	A	A	A	A	C	C	C	C	C	C	C			
8400	RPM				880	905	935	965	995	1020	1045	1070	1095	1120	1145	1170	1195	1215	1240	
8600	BHP	3.81	3.98	4.12	4.29	4.46	4.62	4.78	4.94	5.10	5.28	5.48	5.64	5.84	6.04	6.20				
8600	Torque Setting				A	A	A	A	A	A	C	C	C	C	C	C	C			
8600	RPM				895	925	950	980	1010	1035	1060	1085	1110	1135	1160	1180	1205	1230	1250	
8800	BHP	4.06	4.22	4.41	4.57	4.73	4.92	5.08	5.24	5.40	5.60	5.76	5.96	6.16	6.32					
8800	Torque Setting				A	A	A	A	A	C	C	C	C	C	C	C	C			
8800	RPM				915	940	970	995	1020	1050	1075	1100	1125	1150	1170	1195	1220	1240		
9000	BHP	4.38	4.54	4.70	4.86	5.02	5.18	5.34	5.50	5.68	5.88	6.08	6.24							
9000	Sheave/Mtr				A	A	A	A	A	C	C	C	C	C	C	C	C			
9000	RPM				935	960	985	1010	1035	1060	1085	1110	1135	1160	1185	1205				
9000	Turns Open				4.5	4	3.5	3	2	1.5	1	3.5	3	2.5	2	1.5				
9200	BHP	4.65	4.76	4.90	5.08	5.26	5.44	5.62	5.80	6.00	6.16									
9200	Torque Setting				A	A	A	A	A	C	C	C	C	C	C	C	C			
9200	RPM				955	975	1000	1025	1050	1075	1100	1125	1150	1170						
9400	BHP	4.83	4.94	5.12	5.32	5.52	5.72	5.92	6.12	6.32	6.48									
9400	Torque Setting				A	A	A	A	A	C	C	C	C	C	C	C	C			
9400	RPM				970	990	1015	1040	1065	1090	1115	1140	1165	1185						
9600	BHP	5.10	5.24	5.44	5.64	5.84	6.04	6.24	6.40											
9600	Torque Setting				A	A	A	A	C	C	C	C	C	C	C	C	C			
9600	RPM				985	1005	1030	1055	1080	1105	1130	1150								

Note 1= Motor Sheave set to 1-turn open from factory.

Note 2= Factory torque setting is A. Can be adjusted in the field to any torque setting listed in drive table through 7602-444 Service Tool.

Note 3= The unit can also control the blower through LAT control. Must be set in field with 7602-444 Service Tool.

Note 4= Advanced control panel can be purchased as an accessory.

Blower Performance Data – 300 VFD

All Data is Wet Coil

SCFM	ESP	0.00	0.10	0.20	0.30	0.40	0.50	0.60	0.70	0.80	0.90	1.00	1.10	1.20	1.30	1.40	1.50
7500	BHP	2.69	2.84	2.96	3.11	3.27	3.45	3.60	3.78	3.96	4.08	4.23	4.38	4.53	4.69	4.86	5.03
7500	Torque Setting	B	B	B	B	A	A	A	A	A	A	A	A	A	C	C	C
7500	RPM	890	925	955	990	1020	1050	1075	1105	1135	1155	1180	1205	1230	1255	1275	1295
7800	BHP	2.87	3.04	3.18	3.36	3.54	3.72	3.87	4.05	4.20	4.35	4.50	4.65	4.80	4.97	5.14	5.30
7800	Torque Setting	B	B	B	A	A	A	A	A	A	A	A	A	C	C	C	C
7800	RPM	910	945	975	1010	1040	1070	1095	1125	1150	1175	1200	1225	1250	1270	1290	1310
8100	BHP	3.10	3.26	3.42	3.60	3.78	3.96	4.14	4.34	4.52	4.70	4.88	5.06	5.21	5.35	5.53	5.68
8100	Torque Setting	B	B	B	A	A	A	A	A	A	A	A	C	C	C	C	C
8100	RPM	935	965	995	1025	1055	1085	1115	1145	1170	1195	1220	1245	1265	1285	1310	1330
8400	BHP	3.36	3.52	3.74	3.92	4.14	4.36	4.57	4.75	4.93	5.11	5.29	5.47	5.62	5.80	5.94	6.12
8400	Torque Setting	B	B	A	A	A	A	A	A	A	A	A	C	C	C	C	C
8400	RPM	955	985	1020	1045	1075	1105	1135	1160	1185	1210	1235	1260	1280	1305	1325	1350
8700	BHP	3.60	3.79	4.00	4.22	4.43	4.65	4.83	5.01	5.19	5.37	5.55	5.76	5.97	6.14	6.35	6.56
8700	Torque Setting	B	A	A	A	A	A	A	A	A	A	C	C	C	C	C	C
8700	RPM	975	1005	1035	1065	1095	1125	1150	1175	1200	1225	1250	1275	1300	1320	1345	1370
9000	BHP	3.90	4.12	4.30	4.51	4.73	4.91	5.09	5.30	5.48	5.66	5.89	6.08	6.32	6.56	6.76	
9000	Torque Setting	A	A	A	A	A	A	A	A	A	C	C	C	C	C	C	
9000	RPM	1000	1030	1055	1085	1115	1140	1165	1195	1220	1245	1270	1290	1315	1340	1360	
9300	BHP	4.34	4.56	4.74	4.96	5.14	5.35	5.53	5.71	5.89	6.08	6.29	6.50	6.67	6.88	7.05	
9300	Torque Setting	A	A	A	A	A	A	A	A	A	C	C	C	C	C	C	
9300	RPM	1020	1050	1075	1105	1130	1160	1185	1210	1235	1260	1285	1310	1330	1355	1375	
9600	BHP	4.64	4.85	5.03	5.25	5.46	5.67	5.88	6.13	6.34	6.52	6.66	6.84	7.02	7.16		
9600	Torque Setting	A	A	A	A	A	A	A	A	C	C	C	C	C	C		
9600	RPM	1040	1070	1095	1125	1150	1175	1200	1230	1255	1280	1300	1325	1350	1370		
9900	BHP	4.93	5.15	5.33	5.53	5.78	5.99	6.20	6.41	6.62	6.83	7.04	7.21	7.42			
9900	Torque Setting	A	A	A	A	A	A	A	C	C	C	C	C	C			
9900	RPM	1060	1090	1115	1140	1170	1195	1220	1245	1270	1295	1320	1340	1365			
10200	BHP	5.36	5.57	5.77	5.95	6.17	6.35	6.53	6.74	6.94	7.18						
10200	Torque Setting	A	A	A	A	A	A	C	C	C	C						
10200	RPM	1085	1110	1135	1160	1190	1215	1240	1265	1285	1310						
10500	BHP	5.52	5.75	5.99	6.23	6.47	6.71	6.95	7.19								
10500	Torque Setting	A	A	A	A	A	A	C	C								
10500	RPM	1100	1130	1155	1180	1205	1230	1255	1280								
10800	BHP	6.00	6.24	6.48	6.72	6.96	7.20	7.39	7.63								
10800	Torque Setting	A	A	A	A	A	C	C	C								
10800	RPM	1125	1150	1175	1200	1225	1250	1270	1295								

Note 1= Motor Sheave set to 1-turn open from factory.

Note 2= Factory torque setting is A. Can be adjusted in the field to any torque setting listed in drive table through 7602-444 Service Tool.

Note 3= The unit can also control the blower through LAT control. Must be set in field with 7602-444 Service Tool.

Note 4= Advanced control panel can be purchased as an accessory.

Waterside Economizer (WSE) Data

Unit with WSE Cooling Performance - 45°F EWT, 400 CFM/Ton

Model	Water Side			Airside		Capacity	
	FLOW (gpm)	PD (psi)	PD (ft)	CFM	PD (in. wg.)	TC	SC
TC_LH072	20	5.3	12.2	2400	0.1	34400	29200
TC_LH096	24	14.0	32.2	3200	0.1	46400	38400
TC_LH120	30	12.0	27.7	4000	0.1	47500	39300
TC_LV072	20	7.5	17.4	2400	0.1	32300	24300
TC_LV096	24	6.9	15.9	3200	0.1	45200	42300
TC_LV120	30	5.3	12.1	4000	0.1	47300	44000
TC_LV160	42	4.7	10.9	5600	0.1	89500	76200
TC_LV192	48	6.2	14.2	6400	0.1	92200	77000
TC_LV240	60	15.1	34.9	8000	0.11	198800	174000
TC_LV300	75	17.8	41.1	10000	0.19	208200	177700

HBH 072 2400 CFM Nominal Airflow

EWT °F	Waterside			Capacity		
	FLOW (gpm)	PD (psi)	PD (ft)	TC	SC	LWT
45	20	5.3	12.2	34400	29200	49
45	15	3.2	7.4	31900	28100	49
45	10	1.6	3.7	28200	26100	51
50	20	5.3	12.2	27200	25700	53
50	15	3.2	7.4	25700	24600	54
50	10	1.6	3.7	23300	23100	55
55	20	5.3	12.2	22000	22000	57
55	15	3.2	7.4	21000	21000	58
55	10	1.6	3.7	19400	19400	59
60	20	5.3	12.2	18300	18300	62
60	15	3.2	7.4	17700	17700	62
60	10	1.6	3.7	16800	16800	63

HBH 096 3200 CFM Nominal Airflow

EWT °F	Waterside			Capacity		
	FLOW (gpm)	PD (psi)	PD (ft)	TC	SC	LWT
45	24	14.0	32.2	46400	38400	49
45	18	7.9	18.1	43700	36700	50
45	12	3.5	8.1	39400	34200	51
50	24	14.0	32.2	36500	33000	53
50	18	7.9	18.1	34400	31500	54
50	12	3.5	8.1	31400	29500	55
55	24	14.0	32.2	30700	28000	58
55	18	7.9	18.1	29100	26800	58
55	12	3.5	8.1	26900	25200	59
60	24	14.0	32.2	25100	23200	62
60	18	7.9	18.1	24300	22100	63
60	12	3.5	8.1	22900	20400	63

HBH 120 4000 CFM Nominal Airflow

EWT °F	Waterside			Capacity		
	FLOW (gpm)	PD (psi)	PD (ft)	TC	SC	LWT
45	30	12.0	27.7	47500	39300	48
45	22.5	6.8	15.7	45800	38000	49
45	15	3.2	7.4	41800	35600	50
50	30	12.0	27.7	37800	33900	53
50	22.5	6.8	15.7	36100	32600	53
50	15	3.2	7.4	33000	30800	55
55	30	12.0	27.7	31600	28800	57
55	22.5	6.8	15.7	30200	27700	58
55	15	3.2	7.4	28300	26100	59
60	30	12.0	27.7	25600	23800	62
60	22.5	6.8	15.7	24900	23000	62
60	15	3.2	7.4	23800	21400	63

Waterside Economizer (WSE) Data

HBV 072 2400 CFM Nominal Airflow

EWT °F	Waterside			Capacity		
	FLOW (gpm)	PD (psi)	PD (ft)	TC	SC	LWT
45	24	6.9	15.9	45200	42300	49
45	18	3.9	9.0	41900	39700	50
45	12	1.7	4.0	37500	36100	51
50	24	6.9	15.9	36400	36400	53
50	18	3.9	9.0	33900	33900	54
50	12	1.7	4.0	31000	31000	55
55	24	6.9	15.9	30400	30400	58
55	18	3.9	9.0	28500	28500	58
55	12	1.7	4.0	25800	25800	59
60	24	6.9	15.9	25000	25000	62
60	18	3.9	9.0	23600	23600	63
60	12	1.7	4.0	21600	21600	63

HBV 096 3200 CFM Nominal Airflow

EWT °F	Waterside			Capacity		
	FLOW (gpm)	PD (psi)	PD (ft)	TC	SC	LWT
45	24	6.9	15.9	45200	42300	49
45	18	3.9	9.0	41900	39700	50
45	12	1.7	4.0	37500	36100	51
50	24	6.9	15.9	36400	36400	53
50	18	3.9	9.0	33900	33900	54
50	12	1.7	4.0	31000	31000	55
55	24	6.9	15.9	30400	30400	58
55	18	3.9	9.0	28500	28500	58
55	12	1.7	4.0	25800	25800	59
60	24	6.9	15.9	25000	25000	62
60	18	3.9	9.0	23600	23600	63
60	12	1.7	4.0	21600	21600	63

HBV 120 4000 CFM Nominal Airflow

EWT °F	Waterside			Capacity		
	FLOW (gpm)	PD (psi)	PD (ft)	TC	SC	LWT
45	30	5.3	12.1	47300	44000	48
45	22.5	3.0	6.9	44400	41600	49
45	15	1.4	3.2	39900	38100	50
50	30	5.3	12.1	38500	38300	53
50	22.5	3.0	6.9	35800	35800	53
50	15	1.4	3.2	32500	32500	54
55	30	5.3	12.1	31400	31400	57
55	22.5	3.0	6.9	29900	29900	58
55	15	1.4	3.2	27400	27400	59
60	30	5.3	12.1	25800	25800	62
60	22.5	3.0	6.9	24600	24600	62
60	15	1.4	3.2	22800	22800	63

HBV 160 5600 CFM Nominal Airflow

EWT °F	Waterside			Capacity		
	FLOW (gpm)	PD (psi)	PD (ft)	TC	SC	LWT
45	24	6.9	15.9	45200	42300	49
45	18	3.9	9.0	41900	39700	50
45	12	1.7	4.0	37500	36100	51
50	24	6.9	15.9	36400	36400	53
50	18	3.9	9.0	33900	33900	54
50	12	1.7	4.0	31000	31000	55
55	24	6.9	15.9	30400	30400	58
55	18	3.9	9.0	28500	28500	58
55	12	1.7	4.0	25800	25800	59
60	24	6.9	15.9	25000	25000	62
60	18	3.9	9.0	23600	23600	63
60	12	1.7	4.0	21600	21600	63

HBV 192 6400 CFM Nominal Airflow

EWT °F	Waterside			Capacity		
	FLOW (gpm)	PD (psi)	PD (ft)	TC	SC	LWT
45	48	6.2	14.2	92200	77000	49
45	36	3.5	8.0	85800	74600	50
45	24	1.5	3.6	75700	69100	51
50	48	6.2	14.2	72700	67100	53
50	36	3.5	8.0	69100	64900	54
50	24	1.5	3.6	63300	60800	55
55	48	6.2	14.2	58900	57100	57
55	36	3.5	8.0	56300	54900	58
55	24	1.5	3.6	52300	51400	59
60	48	6.2	14.2	48000	46300	62
60	36	3.5	8.0	46400	44500	62
60	24	1.5	3.6	43600	41600	63

HBV 240 8000 CFM Nominal Airflow

EWT °F	Waterside			Capacity		
	FLOW (gpm)	PD (psi)	PD (ft)	TC	SC	LWT
45	60	15.1	34.9	198800	174000	52
45	45	8.5	19.6	183500	165900	54
45	30	3.8	8.7	162200	153300	55
50	60	15.1	34.9	164800	153800	59
50	45	8.5	19.6	153300	145600	61
50	30	3.8	8.7	138000	133900	62
55	60	15.1	34.9	133200	130600	59
55	45	8.5	19.6	126700	123500	61
55	30	3.8	8.7	116700	113600	62
60	60	15.1	34.9	109400	105000	64
60	45	8.5	19.6	104700	99900	65
60	30	3.8	8.7	96800	91800	66

Interpolation is permissible, extrapolation is not. All entering air conditions are 80°F DB and 67°F WB. See performance correction tables for operating conditions other than those listed above.

Waterside Economizer (WSE) Data

HBV 300 10000 CFM Nominal Airflow

EWT °F	Waterside			Capacity		
	FLOW (gpm)	PD (psi)	PD (ft)	TC	SC	LWT
45	75	17.8	41.1	208200	177700	51
45	56.25	10.6	24.6	195200	171700	52
45	37.5	5.0	11.6	174200	161300	54
50	75	17.8	41.1	172500	158700	54
50	56.25	10.6	24.6	162200	151800	56
50	37.5	5.0	11.6	146400	140700	57
55	75	17.8	41.1	136200	135100	58
55	56.25	10.6	24.6	131800	128800	59
55	37.5	5.0	11.6	122300	119400	61
60	75	17.8	41.1	111000	107200	63
60	56.25	10.6	24.6	108400	103900	64
60	37.5	5.0	11.6	101200	96300	65

Model	Econ - On	Econ -Off
	CV	
072	34	27
096	61	49
120	61	49
160	109	87
192	109	87
240	109	87
300	109	87

Interpolation is permissible, extrapolation is not. All entering air conditions are 80°F DB and 67°F WB. See performance correction tables for operating conditions other than those listed above.

Airside PD

Model	Coil	AirSide PD Adder (in. wg) at CFM/TON				
		300	350	400	450	500
HBH072	Dry	0.1	0.1	0.1	0.1	0.1
	Wet	0.1	0.1	0.1	0.1	0.1
HBH096	Dry	0.1	0.1	0.1	0.1	0.1
	Wet	0.1	0.1	0.1	0.12	0.14
HBH120	Dry	0.1	0.1	0.1	0.11	0.13
	Wet	0.1	0.12	0.14	0.17	0.19
HBV072	Dry	0.1	0.1	0.1	0.1	0.1
	Wet	0.1	0.1	0.1	0.1	0.1
HBV096	Dry	0.1	0.1	0.1	0.1	0.1
	Wet	0.1	0.1	0.1	0.1	0.1
HBV120	Dry	0.1	0.1	0.1	0.1	0.1
	Wet	0.1	0.1	0.1	0.1	0.1
HBV160	Dry	0.1	0.1	0.1	0.1	0.1
	Wet	0.1	0.1	0.1	0.1	0.1
HBV192	Dry	0.1	0.1	0.1	0.1	0.1
	Wet	0.1	0.1	0.1	0.1	0.1
HBV240	Dry	0.1	0.16	0.12	0.15	0.19
	Wet	0.12	0.16	0.19	0.23	0.26
HBV300	Dry	0.1	0.14	0.19		
	Wet	0.19	0.21	0.26		

Waterside Economizer (WSE) Correction Tables

Entering Air Correction Tables

All HBH

Ent Air WB °F	Total Clg Cap	Sens Clg Cap Multipliers - Entering DB °F								
		65	70	75	80	80.6	85	90	95	100
50	0.801	*	*	*	*	*	*	*	*	*
55	0.801	*	*	*	*	*	*	*	*	*
60	0.801	0.513	0.695	*	*	*	*	*	*	*
65	0.963		0.660	0.843	1.028	1.048	*	*	*	*
66.2	0.986		0.585	0.797	1.011	1.030	*	*	*	*
67	1.000		0.535	0.767	1.000	1.019	1.174	*	*	*
70	1.042			0.652	0.894	0.914	1.123	1.321	*	*
75	1.170				0.714	0.751	1.039	1.230	1.421	*

* Sensible capacity equals total capacity.
 AHRI/ISO/ASHRAE 13256-1 uses entering air conditions of Cooling - 80.6°F DB/ 66.2°F WB, and Heating -68°F DB/ 59°F WB entering air temperature.

HBV072

Ent Air WB °F	Total Clg Cap	Sens Clg Cap Multipliers - Entering DB °F								
		65	70	75	80	80.6	85	90	95	100
50	0.801	*	*	*	*	*	*	*	*	*
55	0.801	*	*	*	*	*	*	*	*	*
60	0.801	0.513	0.695	*	*	*	*	*	*	*
65	0.963		0.660	0.843	1.028	1.048	*	*	*	*
66.2	0.986		0.585	0.797	1.011	1.030	*	*	*	*
67	1.000		0.535	0.767	1.000	1.019	1.174	*	*	*
70	1.042			0.652	0.894	0.914	1.123	1.321	*	*
75	1.170				0.714	0.751	1.039	1.230	1.421	*

* Sensible capacity equals total capacity.
 AHRI/ISO/ASHRAE 13256-1 uses entering air conditions of Cooling - 80.6°F DB/ 66.2°F WB, and Heating -68°F DB/ 59°F WB entering air temperature.

HBV096-300

Ent Air WB °F	Total Clg Cap	Sens Clg Cap Multipliers - Entering DB °F								
		65	70	75	80	80.6	85	90	95	100
50	0.801	*	*	*	*	*	*	*	*	*
55	0.801	*	*	*	*	*	*	*	*	*
60	0.801	0.513	0.695	*	*	*	*	*	*	*
65	0.963		0.660	0.843	1.028	1.048	*	*	*	*
66.2	0.986		0.585	0.797	1.011	1.030	*	*	*	*
67	1.000		0.535	0.767	1.000	1.019	1.174	*	*	*
70	1.042			0.652	0.894	0.914	1.123	1.321	*	*
75	1.170				0.714	0.751	1.039	1.230	1.421	*

* Sensible capacity equals total capacity.
 AHRI/ISO/ASHRAE 13256-1 uses entering air conditions of Cooling - 80.6°F DB/ 66.2°F WB, and Heating -68°F DB/ 59°F WB entering air temperature.

Waterside Economizer (WSE) Correction Tables

Air Flow Correction Tables

HBH

Airflow	Cooling Corrections	
% Normal Capacity	Sensible Capacity	Sens/Total Ratio
75	0.860	0.969
81.25	0.895	0.975
87.5	0.930	0.985
93.75	0.965	0.998
100	1.000	1.000
106.25	1.035	1.007
112.5	1.070	1.010
118.75	1.105	1.019
125	1.140	1.020

HBV

Airflow	Cooling Corrections	
% Normal Capacity	Sensible Capacity	Sens/Total Ratio
75	0.856	0.967
81.25	0.892	0.970
87.5	0.928	0.984
93.75	0.964	0.992
100	1.000	1.000
106.25	1.035	1.007
112.5	1.070	1.013
118.75	1.105	1.018
125	1.139	1.024

Note: HBV300 cannot exceed 100%

HBH Physical Data

Model	072	096	120
Compressor Quantity	Scroll		
Number of Circuits (Compressors)	2		
Factory Charge HFC-410a (oz) [kg] per circuit	60 [1.70]	76 [2.15]	80 [2.27]
Blower Motor			
Blower Motor Quantity	1		
Standard Motor (hp) [kW]	1 [0.75]	2 [1.49]	3 [2.24]
* Large Motor (hp) [kW]	2 [1.49]	3 [2.24]	5 [3.73]
Blower			
No. of Blowers	1		
Blower Wheel Size D x W (in) [cm]	12 x 12 [30.48 x 30.48]		
Water Connection Size			
FPT (in) [mm]	1-1/4" [31.8]		1-1/2" [38.1]
Coax Volume			
Volume (US Gallons) [liters]	1.62 [6.13]	1.81 [6.85]	2.40 [9.08]
Condensate Connection Size			
FPT (in) [mm]	3/4" [19.1]		
Air Coil Data			
Air Coil Dimensions H x W (in) [cm]	20 x 54 [50.8 x 137.2]	20 x 64 [50.8 x 162.6]	
Air Coil Total Face Area (ft ²) [m ²]	7.5 [0.70]	8.9 [0.83]	
Miscellaneous Data			
Filter Standard - 1" [25.4mm] Throwaway (qty) (in) [cm]	(QTY.3) 16 x 20 [40.6 x 50.8] (QTY.1) 20 x 20 [50.8 x 50.8]		
Weight - Operating (lbs) [kg]	586 [265.8]	644 [292.1]	698 [316.6]
Weight - Packaged (lbs) [kg]	626 [283.9]	684 [310.3]	738 [334.8]

* Unit with "F" Blower Drive Package is always Large Motor.
All units have grommet compressor mountings, and 1/2" & 1-3/4" electrical knockouts.

Unit with WSE Option

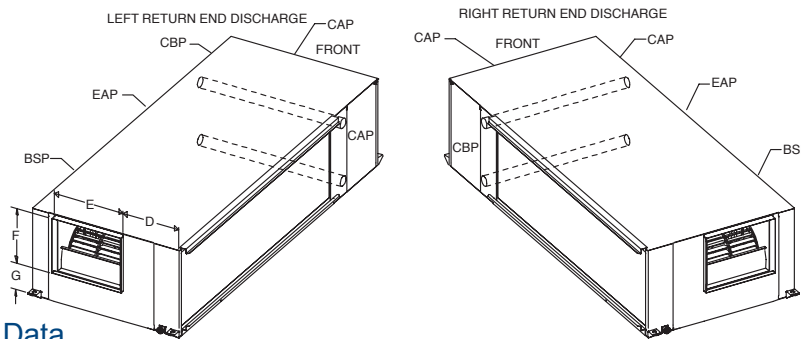
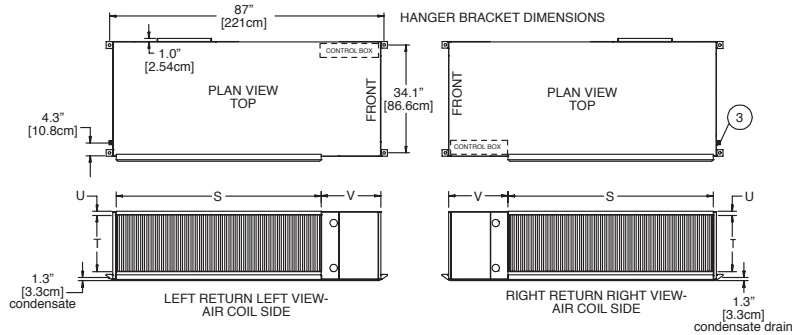
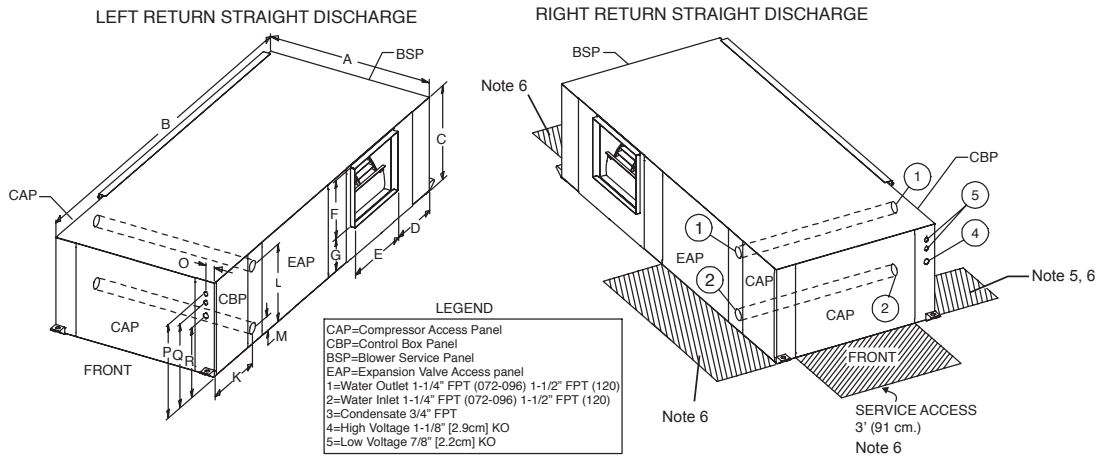
HBH Series	072	096	120
Water Coil Dimensions (in) [cm]	20 x 54 [50.8 x 137.2]	20 x 60 [50.8 x 152.4]	
Internal Water Coil Volume (Gal) [L]	5.6 [21.6]	6.2 [23.5]	6.8 [25.7]
Weight - Operating (lbs.) [Kg]	838 [380]	921 [418]	998 [453]
Weight - Packaged (lbs.) [Kg]	900 [408]	978 [444]	1058 [480]

HBH072-120 Corner Weights

	HBH072	HBH096	HBH120
Weight - Operating (lbs) [kg]	586 [265.8]	644 [292.1]	698 [316.6]
Weight - Packaged (lbs) [kg]	626 [283.9]	684 [310.3]	738 [334.8]
Weight - Corner - Control box/ Compressor side (lbs) [kg]	235 [106.6]	254 [115.2]	271 [122.9]
Weight - Corner - Compressor side (lbs) [kg]	101 [45.8]	120 [54.4]	137 [62.1]
Weight - Corner - Blower side (lbs) [kg]	180 [81.6]	190 [86.2]	200 [90.7]
Weight - Corner - Air Coil side (lbs) [kg]	70 [31.8]	80 [36.3]	90 [40.8]

HBH072-120 Dimensional Data

ALL CONFIGURATIONS REQUIRE SERVICE ACCESS AREA DESCRIBED IN NOTES 5 AND 6.



HBH072-120 Dimensional Data

Model	Overall Cabinet			Discharge Connections Duct Flange				Water Connections			Electrical Knockouts				Return Air Connections Using Return Air Opening						
	A	B	C	D	E	F	G	K	L	M	O	P	Q	R	Return Depth		Return Height	U	V		
	Width	Depth	Height		Supply Depth	Supply Width	Supply Height		Water Outlet	Water Inlet					072	096, 120			072	096, 120	
072-120	in.	36.3	84.9	21.6	14.0	17.0	13.5	7.8	15.0	18.3	4.0	2.0	18.8	16.8	13.8	55	65	18.0	1.0	28.9	18.9
	cm.	92.2	215.6	54.9	35.6	43.2	34.3	19.8	38.1	46.4	10.2	5.1	47.8	42.7	35.1	139.7	165.1	45.7	2.5	73.4	48

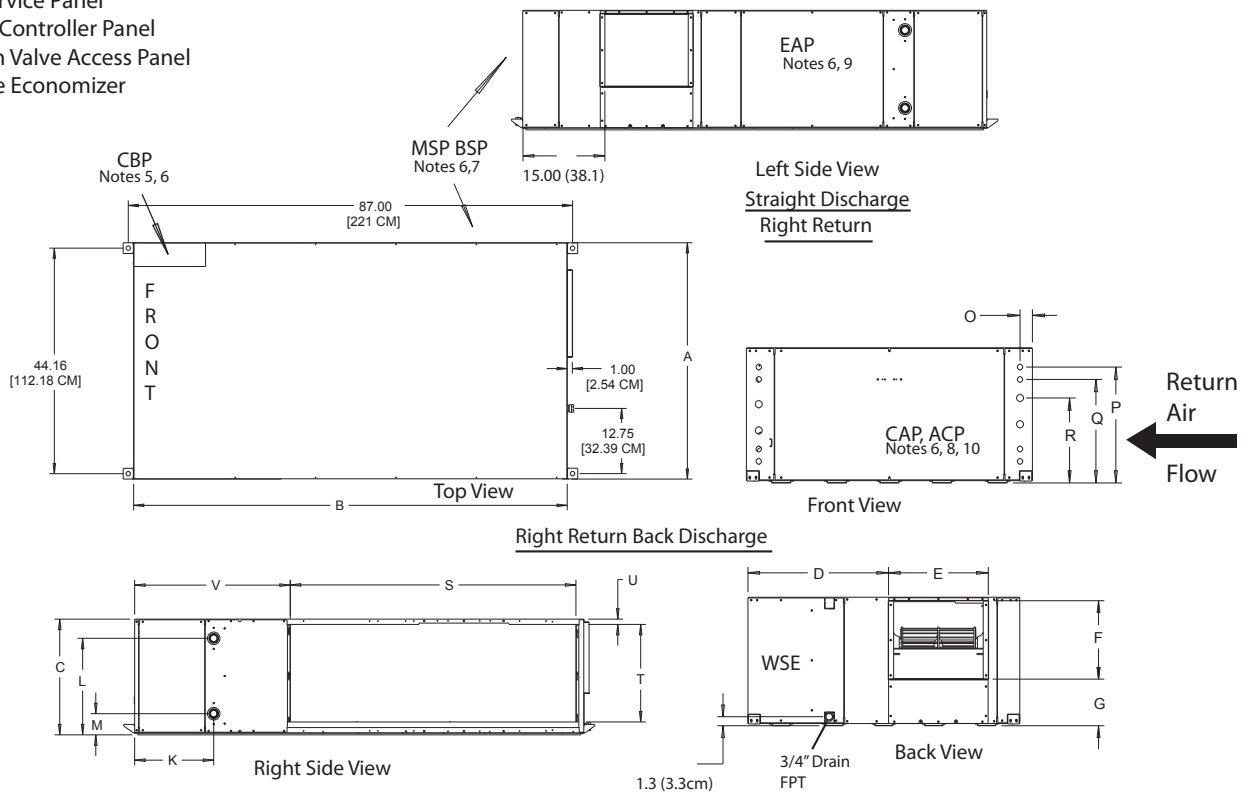
HBH072-120 with WSE Dimensional Data

HBH 072-120 with WSE

Model	Overall Cabinet			Discharge Connections Duct Flange				Water Connections			Electrical Knockouts				Return Air Connections Using Return Air Opening						
	A	B	C	D	E	F	G	K	L	M	O	P	Q	R	Return Depth		Return Height	U	V		
	Width	Depth	Height		Supply Depth	Supply Width	Supply Height		Water Outlet	Water Inlet					072	096, 120			072	096, 120	
072-120	in.	46.3	84.9	21.6	23.9	17.0	13.5	7.8	15.0	18.3	4.0	2.0	18.8	16.8	13.8	55.0	61	1.0	29.4	28.9	22.9
	cm.	117.6	215.6	54.9	60.9	43.2	34.3	19.8	38.1	46.4	10.2	5.1	47.8	42.7	35.1	139.7	154.9	2.5	74.7	73.4	58.2

Legend

- BSP = Blower Service Panel
- CAP = Compressor Access Panel
- CBP = Control Box Panel
- MSP = Motor Service Panel
- ACP = Aquastat Controller Panel
- EAP = Expansion Valve Access Panel
- WSE = Waterside Economizer



Notes:

- Service access is required for all removable panels and installer should take care to comply with all building codes allowing adequate clearance for future field service.
- Units are shipped with air filter rails that are not suitable for supporting return air ductwork. An air filter frame with duct mounting collar is available as an accessory.
- Discharge flange and hanger brackets are factory installed.
- Condensate drain is 3/4" FPT and is located on cabinet end opposite the compressor.
- Unit control box is on side opposite return air (not convertible)
- Units require 3 feet (91cm) clearance for water connections, CAP, CBP, EAP, MSP, ACP and BSP service panels.
- Blower service access is through back panel on straight discharge units or through panel opposite air coil on back discharge units.
- Factory supplied controller (aquastat) is inside unit completely wired. To field adjust temperature setting, remove ACP panel and push button.
- Expansion valve access panel is opposite return air side.
- WSE coil air bleed access is through CAP.

HBV Physical Data

Model	072	096	120	160	192	240	300
Compressor	Scroll						
Number of Circuits (Compressors)	2						
Factory Charge HFC-410a - (oz) [kg] per circuit	60 [1.70]	76 [2.15]	80 [2.27]	112 [3.18]	136 [3.86]	196 [5.56]	224 [6.35]
Blower Motor							
Blower Motor Quantity	1						
Standard Motor (hp) [kw]	1 [.75]	2 [1.49]	3 [2.23]	3 [2.24]	3 [2.24]	5 [3.73]	7.5 [5.60]
*Optional Large Motor (hp) [kw]	2 [1.49]	3 [2.24]	5 [3.73]	5 [3.73]	5 [3.73]	7.5 [5.59]	10 [7.46]
Blower							
No. of Blowers	1		2			3	
Blower Wheel Size D x W (in) [cm]	12 x 12 [30.48 x 30.48]						
Water Connection Size							
FPT (in) [mm]	1-1/4" [31.8]		1-1/2" [38.1]	2" [50.8]		2-1/2" [63.5]	
Coax Volume							
Volume (US Gallons) [liters]	1.62 [6.13]	1.81 [6.85]	2.40 [9.08]	3.62 [13.70]	4.83 [18.28]	4.90 [18.55]	7.39 [27.98]
Condensate Connection Size							
FPT (in) [mm]	1" [25.4]						
Air Coil Data							
Air Coil Dimensions H x W (in) [cm]	32 x 34 [81.28 x 86.36]	36 x 36 [91.44 x 91.44]	36 x 76 [91.44 x 193.04]				
Air Coil Total Face Area (ft ²) [m ²]	7.6 [0.71]	9.0 [0.84]	19 [1.77]				
Air Coil Tube Size (in) [cm]	3/8" [0.953]						
Air Coil Fin Spacing (fpi) [fins per cm]	14 [5.5]					12 [4.72]	
Air Coil Number of Rows	3		2	3		4	
Miscellaneous Data							
Filter Standard - 1" [25.4mm] Throwaway (qty) (in) [cm]	(QTY.4) 20 x 20 [50.8 x 50.8]			(QTY.4) 20 x 25 [50.80 x 63.5] (QTY.2) 20 x 30 [50.80 x 76.2]			
Weight - Operating (lbs) [kg]	586 [265.8]	644 [292.1]	698 [316.6]	1069 [484.9]	1164 [528.0]	1184 [537.1]	1297 [588.3]
Weight - Packaged (lbs) [kg]	626 [283.9]	684 [310.3]	738 [334.8]	1149 [521.2]	1244 [564.3]	1264 [573.3]	1377 [624.6]

*Unit with "F" Blower Drive Package is always Large Motor.

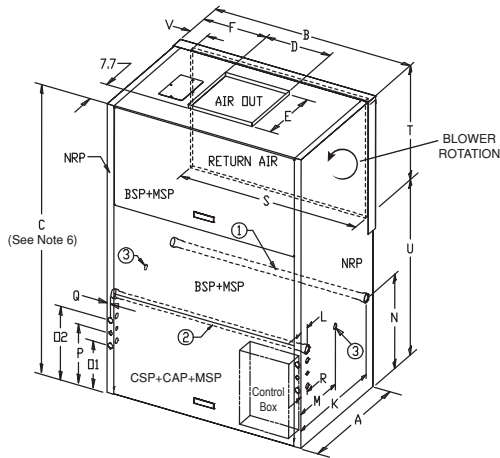
Unit with WSE Option

HBV Series	072	096	120	160	192	240	300
Water Coil Dimensions (in x cm)	32 x 34 [81.28 x 86.36]	35 x 36 [88.9 x 91.4]		35 x 76 [88.9 x 193]			
Internal Water Coil Volume (Gal) [L]	5.9 [22.3]	6.6 [25]	7.2 [27.3]	13.3 [50.3]	14.5 [54.9]	23.9 [90.5]	26.4 [99.9]
Weight - Operating (lbs.) [Kg]	762 [346]	837 [378]	907 [411]	1529 [694]	1665 [755]	1693 [768]	1855 [841]
Weight - Packaged (lbs.) [Kg]	814 [369]	889 [403]	962 [436]	1643 [745]	1779 [807]	1808 [820]	1974 [895]

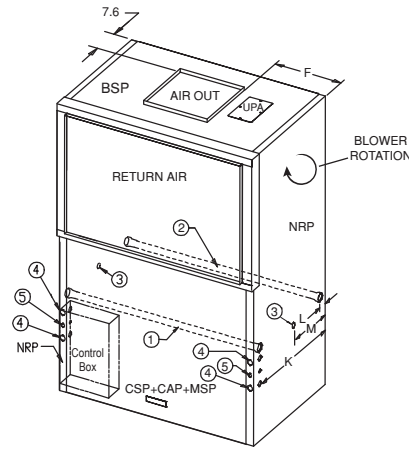
Unit Maximum Water Working Pressure	Maximum Pressure PSIG [kPa]
Base Unit	500 [3445]
WSE Option	300 [2068]

HBV072-120 Dimensional Data

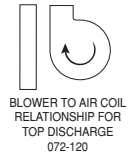
ALL CONFIGURATIONS REQUIRE SERVICE ACCESS AREA DESCRIBED IN NOTES 7, 8, and 9



REAR RETURN TOP DISCHARGE (RR/TD)



FRONT RETURN TOP DISCHARGE (FR/TD)

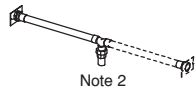


LEGEND	HBV072-096	HBV120
① Water Inlet (See Note 2)	1-1/4" FPT	1-1/2" FPT
② Water Outlet (See Note 2)	1-1/4" FPT	1-1/2" FPT
③ Condensate Drain (See Note 3)	1" FPT	
④ High Voltage Access (See Note 4)	1-3/8" [3.49 CM]	
⑤ Low Voltage Access (See Note 4)	7/8" [2.2 CM]	

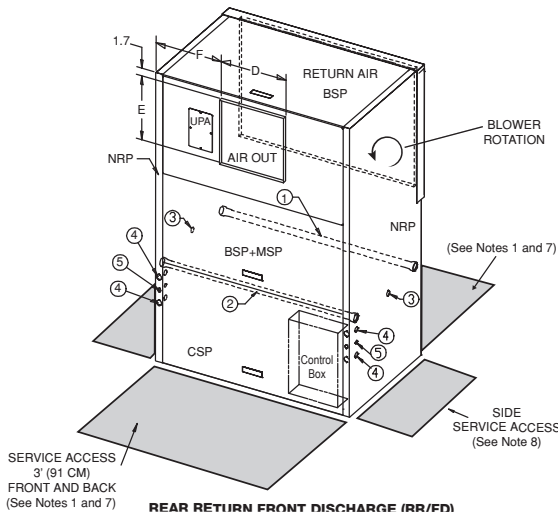
BSP - Blower Service Panel
 CAP - Control Access Panel
 CSP - Compressor Access Panel
 MSP - Motor Service Panel
 NRP - Non Removable Panel
 UPA - Upper Pulley Access

NOTES:

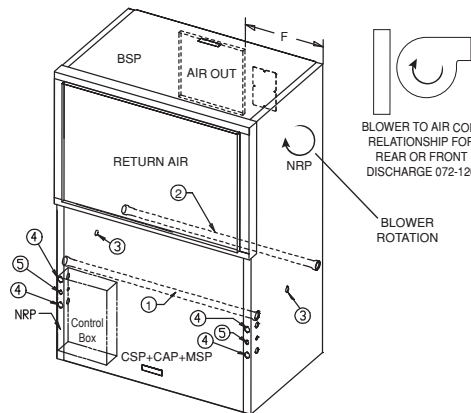
- All dimensions in table are inches (cm)
- 1. While access to all removable panels may not be required, installer should take care to comply with all building codes and allow adequate clearance for future field service.
- 2. Water inlet and water outlet connections are factory shipped on the left side. Union allows field conversion to right side.
- 3. Condensate drain is available on either side (left or right) of unit. Drain hose and drain connection will be tied inside the unit. Installer will untie the drain hose, form trap, and connect to the condensate drain hole of installer's choice.
- 4. Electrical access is available on either side (left or right) of unit and is also available in the front on the left or right side of the unit.
- 5. Overall width - Add 3.12" (8cm) for 1" (2.5cm) or 2" (5cm) Filter Frame; or 5.12" (13cm) for 4" (10.2cm) and for front or rear supply add additional 1.06" (2.7cm) for supply duct collar.
- 6. Overall cabinet height dimension does not include duct flange for top discharge configuration.
- 7. Units require 3 feet(91 cm) clearance, CAP, CSP, MSP and BSP service access.
- 8. Side service access must be 2 feet (9.4cm) on any side that connections are made.
- 9. Filter removal is from right or left side of filter frame, allow 2 feet (9.4cm) access for servicing.



ALL CONFIGURATIONS



REAR RETURN FRONT DISCHARGE (RR/FD)

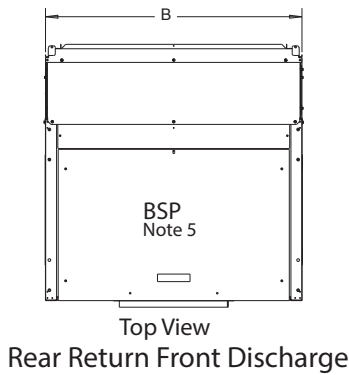


FRONT RETURN REAR DISCHARGE (FR/RD)

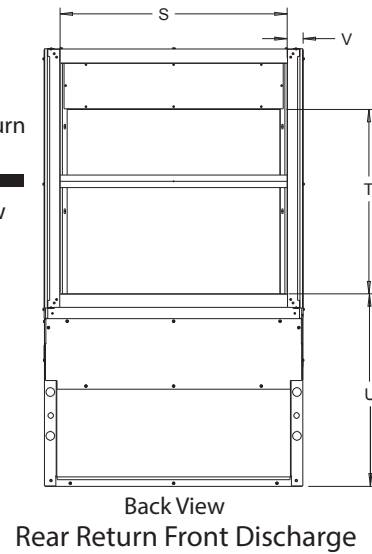
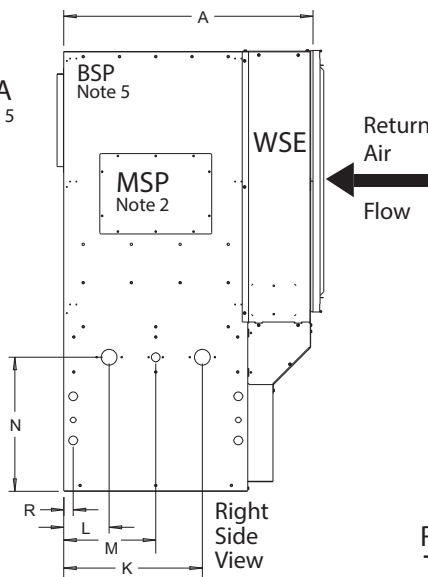
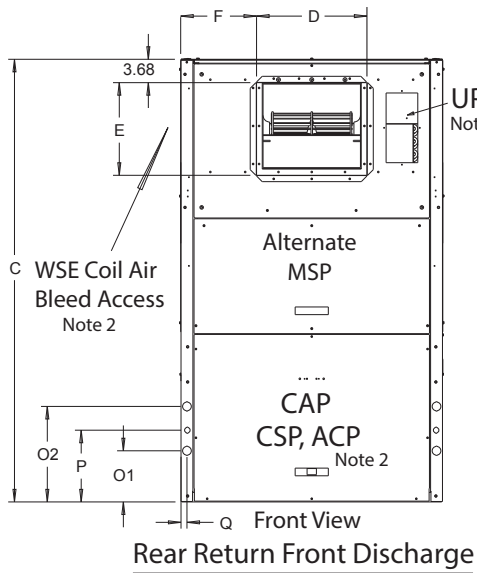
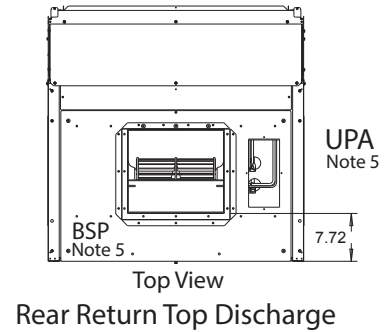
Model	Overall Cabinet			Discharge Connection Duct Flange			Water Connections				Electric Knockouts					Return Air Connections Using Return Air Opening				
	A	B	C	D	E	F	K	L	M	N	O1	O2	P	Q	R	S	T	U	V	
	Depth	Width	Height	Supply Width	Supply Depth		Water Inlet	Water Outlet	Condensate							Return Depth	Return Height			
072-120	in.	29.0	41.0	69.8	17.5	14.8	11.9	22.0	7.3	14.5	21.3	8.0	15.0	11.3	1.0	1.5	36.3	29.4	30.6	2.7
	cm.	73.7	104.1	177.2	44.5	37.5	30.2	55.9	18.4	36.8	54.0	20.3	38.1	28.6	2.5	3.8	96.2	74.7	77.8	6.9

HBV072-120 with WSE Dimensional Data

Model	Overall Cabinet			Discharge Connection Duct Flange			Water Connections				Electric Knockouts					Return Air Connections Using Return Air Opening				
	A	B	C	D	E	F	K	L	M	N	O1	O2	P	Q	R	S	T	U	V	
	Depth	Width	Height	Supply Width	Supply Depth		Water Inlet	Water Outlet	Condensate							Return Depth	Return Height			
072-120	in.	39.5	41.0	69.8	17.5	14.8	11.9	22.0	7.3	14.5	21.3	8.0	15.0	11.3	1.0	1.5	36.3	29.4	30.6	2.7
	cm.	100.3	104.1	177.2	44.5	37.5	30.2	55.9	18.4	36.8	54.0	20.3	38.1	28.6	2.5	3.8	96.2	74.7	77.8	6.9


Legend

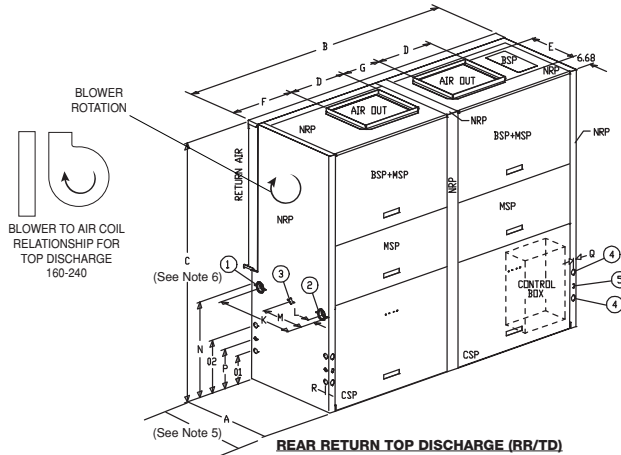
BSP = Blower Service Panel
 CSP = Compressor Service Panel
 CAP = Control Access Panel
 MSP = Motor Service Panel
 UPA = Upper Pulley Access
 ACP = Aquastat Controller Panel
 WSE = Waterside Economizer


Notes:

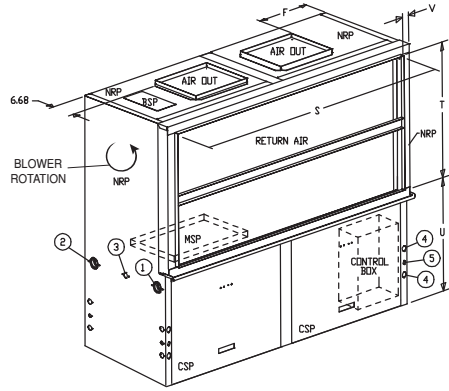
- While clear access to all removable panels may not be required, installer should take care to comply with all building codes and allow adequate clearance for future field service.
- Units require 3 feet (91 cm) clearance for water connections, WSE coil air bleed, CAP, CSP, BSP, ACP, UPA, and MSP.
- Factory supplied controller (aquastat) is inside unit completely wired. To field adjust temperature setting remove ACP panel and push button.
- Condensate drain is internally trapped, externally vented.
- For top discharge units, UPA is on top and BSP is on front. For front discharge units, UPA is on front and BSP is on top. (allow 3 feet above unit for service).

HBV160-240 Dimensional Data

ALL CONFIGURATIONS REQUIRE SERVICE ACCESS AREA DESCRIBED IN NOTES 7, 8, and 9



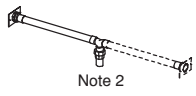
REAR RETURN TOP DISCHARGE (RR/TD)



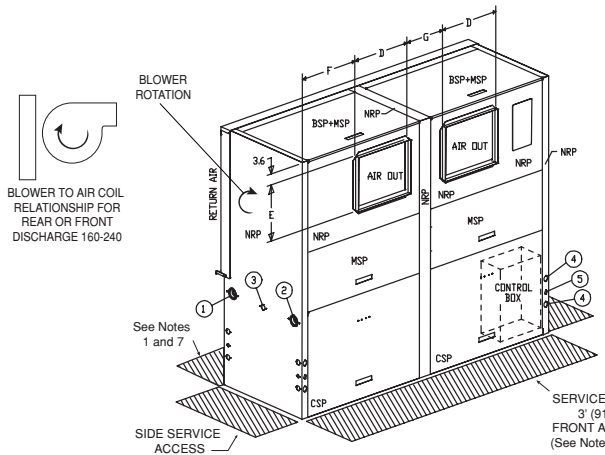
FRONT RETURN TOP DISCHARGE (FR/TD)

LEGEND		HBV160-240
①	WATER INLET (SEE NOTE 2)	2" FPT
②	WATER OUTLET (SEE NOTE 2)	2" FPT
③	CONDENSATE DRAIN (SEE NOTE 3)	1" FPT
④	HIGH VOLTAGE ACCESS (SEE NOTE 4)	1-3/8" (3.49 CM)
⑤	LOW VOLTAGE ACCESS (SEE NOTE 4)	7/8" (2.2 CM)
BSP - BLOWER SERVICE PANEL		
CAP - CONTROL ACCESS PANEL		
CSP - COMPRESSOR ACCESS PANEL		
MSP - MOTOR SERVICE PANEL		
NRP - NON REMOVABLE PANEL		

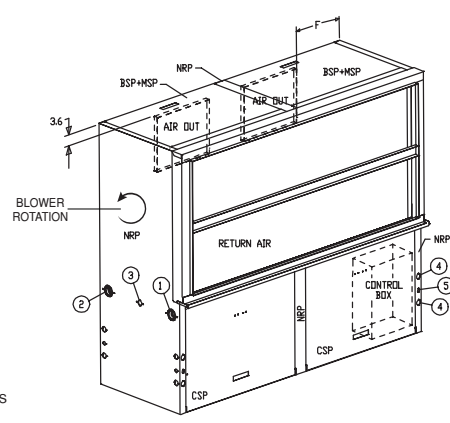
- NOTES:**
All dimensions in table are inches (cm)
- While access to all removable panels may not be required, installer should take care to comply with all building codes and allow adequate clearance for future field service.
 - Water inlet and water outlet connections are factory shipped on the left side. Union allows field conversion to right side.
 - Condensate drain is available on either side (left or right) of unit. Drain hose and drain connection will be tied inside the unit. Installer will untie the drain hose, form trap, and connect to the condensate drain hole of installer's choice.
 - Electrical access is available on either side (left or right) of unit and is also available in the front on the left or right side of the unit.
 - Overall width - Add 3.12" (8cm) for 1" (2.5cm) or 2" (5cm) Filter Frame; or 5.12" (13cm) for 4" (10.2cm) and for front or rear supply add additional 1.06" (2.7cm) for supply duct collar.
 - Overall cabinet height dimension does not include duct flange for top discharge configuration.
 - Units require 3 feet (91 cm) clearance, CAP, CSP, MSP and BSP service access.
 - Side service access must be 2 feet (9.4cm) on any side that connections are made.
 - Filter removal is from right or left side of filter frame, allow 2 feet (9.4cm) access for servicing.



ALL CONFIGURATIONS



REAR RETURN FRONT DISCHARGE (RR/FD)

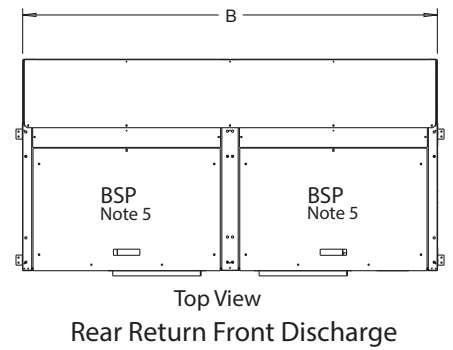
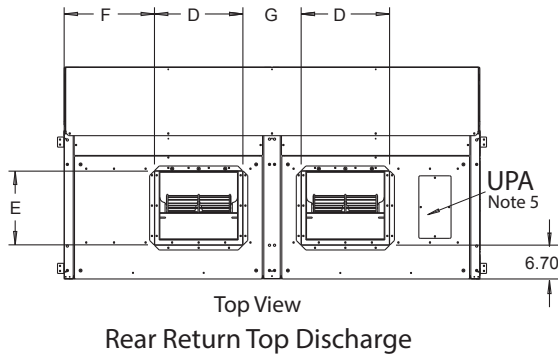


FRONT RETURN REAR DISCHARGE (FR/RD)

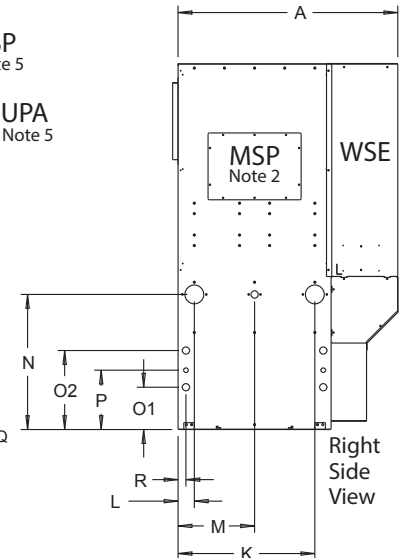
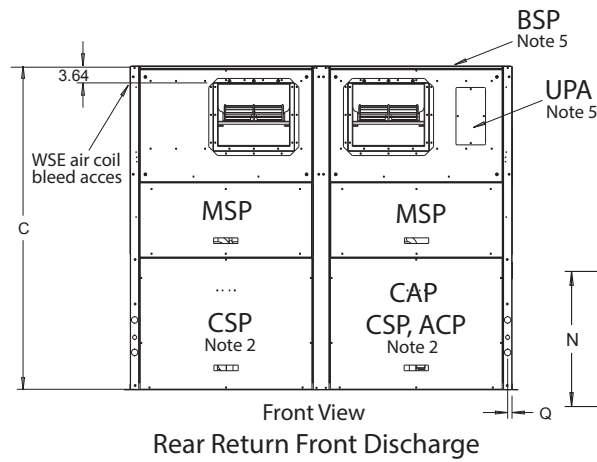
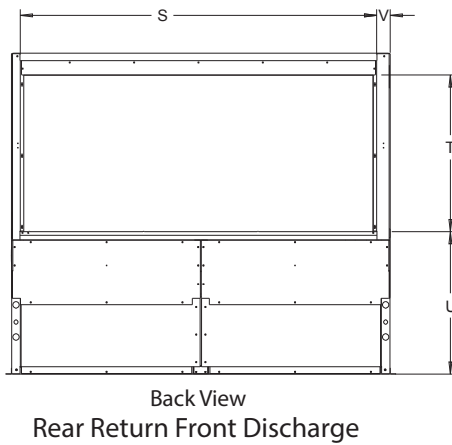
Model	Overall Cabinet			Discharge Connection Duct Flange				Water Connections				Electrical Knockouts				Return Air Connections Using Return Air Opening					
	A	B	C	D	E	F	G	K	L	M	N	O1	O2	P	Q	R	S	T	U	V	
	Depth	Width	Height	Supply Width	Supply Depth	Supply Width	Supply Depth	Water Inlet	Water Outlet	Condensate							Return Depth	Return Height			
160-240	in.	29.0	82.0	69.8	17.5	14.8	17.9	11.5	26.1	3.1	14.5	25.8	8.0	15.0	11.3	1.0	1.5	77.0	35.8	31.7	2.6
	cm.	73.7	208.3	177.2	44.5	37.5	45.4	29.3	66.3	7.9	36.8	65.5	20.3	38.1	28.6	2.5	3.8	195.6	90.8	80.5	6.7

HBV160-240 with WSE Dimensional Data

Model	Overall Cabinet			Discharge Connection Duct Flange				Water Connections				Electrical Knockouts				Return Air Connections Using Return Air Opening					
	A	B	C	D	E	F	G	K	L	M	N	O1	O2	P	Q	R	S	T	U	V	
	Depth	Width	Height	Supply Width	Supply Depth	Supply Width	Supply Depth	Water Inlet	Water Outlet	Condensate							Return Depth	Return Height			
160-240	in.	39.5	82.0	69.8	17.5	14.8	17.9	11.5	26.1	3.1	14.5	25.8	8.0	15.0	11.3	1.0	1.5	77.0	35.8	31.7	2.6
	cm.	100.3	208.3	177.2	44.5	37.5	45.4	29.3	66.3	7.9	36.8	65.5	20.3	38.1	28.6	2.5	3.8	195.6	90.8	80.5	6.7


Legend

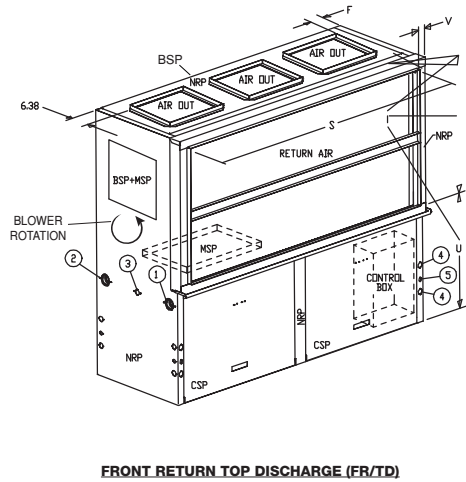
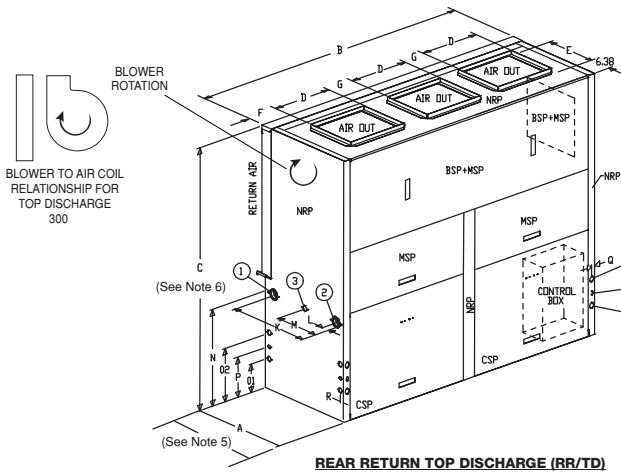
BSP = Blower Service Panel
 CSP = Compressor Service Panel
 CAP = Control Access Panel
 MSP = Motor Service Panel
 UPA = Upper Pulley Access
 ACP = Aquastat Controller Panel
 WSE = Waterside Economizer


Notes:

- While clear access to all removable panels may not be required, installer should take care to comply with all building codes and allow adequate clearance for future field service.
- Units require 3 feet (91 cm) clearance for water connections, WSE coil air bleed, CAP, CSP, BSP, ACP, UPA, and MSP.
- Factory supplied controller (aquastat) is inside unit completely wired. To field adjust temperature setting remove ACP panel and push button.
- Condensate drain is internally trapped, externally vented.
- For top discharge units, UPA is on top and BSP is on front. For front discharge units, UPA is on front and BSP is on top. (allow 3 feet above unit for service).

HBV300 Dimensional Data

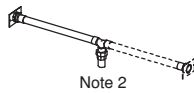
ALL CONFIGURATIONS REQUIRE SERVICE ACCESS AREA DESCRIBED IN NOTES 7, 8, and 9



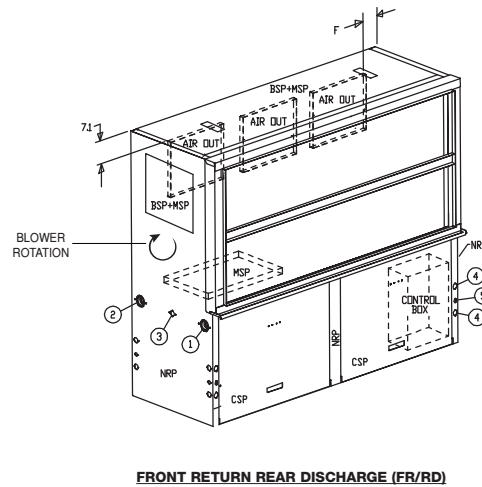
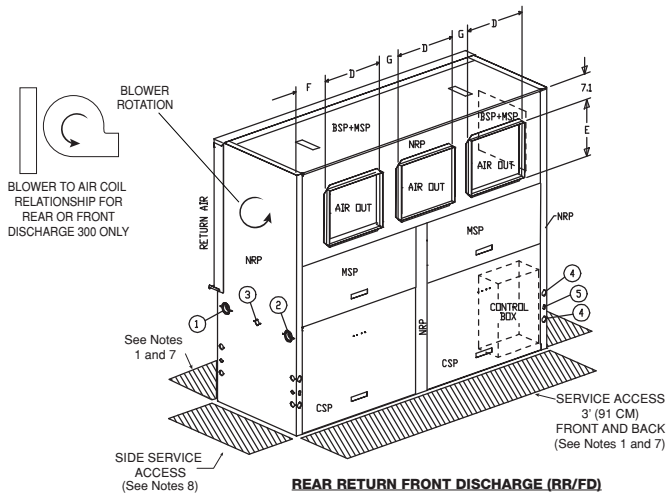
LEGEND	HBV300
① WATER INLET (SEE NOTE 2)	2-1/2" FPT
② WATER OUTLET (SEE NOTE 2)	2-1/2" FPT
③ CONDENSATE DRAIN (SEE NOTE 3)	1" FPT
④ HIGH VOLTAGE ACCESS (SEE NOTE 4)	1-3/8" [3.49 CM]
⑤ LOW VOLTAGE ACCESS (SEE NOTE 4)	7/8" [2.2 CM]
BSP - BLOWER SERVICE PANEL CAP - CONTROL ACCESS PANEL CSP - COMPRESSOR ACCESS PANEL MSP - MOTOR SERVICE PANEL NRP - NON REMOVABLE PANEL	

NOTES:

- All dimensions in table are inches (cm)
- While access to all removable panels may not be required, installer should take care to comply with all building codes and allow adequate clearance for future field service.
 - Water inlet and water outlet connections are factory shipped on the left side. Union allows field conversion to right side.
 - Condensate drain is available on either side (left or right) of unit. Drain hose and drain connection will be tied inside the unit. Installer will untie the drain hose, form trap, and connect to the condensate drain hole of installer's choice.
 - Electrical access is available on either side (left or right) of unit and is also available in the front on the left or right side of the unit.
 - Overall width - Add 3.12" (8cm) for 1" (2.5cm) or 2" (5cm) Filter Frame; or 5.12" (13cm) for 4" (10.2cm) and for front or rear supply add additional 1.06" (2.7cm) for supply duct collar.
 - Overall cabinet height dimension does not include duct flange for top discharge configuration.
 - Units require 3 feet(91 cm) clearance, CAP, CSP, MSP and BSP service access.
 - Side service access must be 2 feet (9.4cm) on any side that connections are made.
 - Filter removal is from right or left side of filter frame, allow 2 feet (9.4cm) access for servicing.



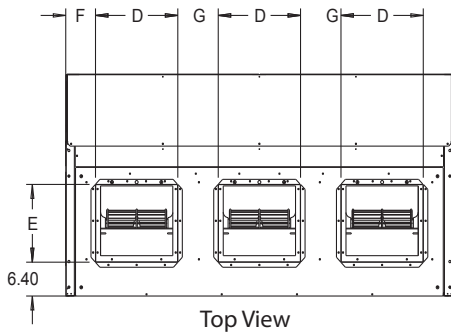
ALL CONFIGURATIONS



Model	Overall Cabinet			Discharge Connection Duct Flange				Water Connections				Electrical Knockouts				Return Air Connections Using Return Air Opening					
	A	B	C	D	E	F	G	K	L	M	N	O1	O2	P	Q	R	S	T	U	V	
	Depth	Width	Height	Supply Width	Supply Depth	Supply Width	Supply Depth	Water Inlet	Water Outlet	Condensate							Return Depth	Return Height			
300	in.	29.0	82.0	69.8	17.5	14.8	6.3	8.6	25.7	3.1	14.5	25.8	8.0	15.0	11.3	1.0	1.5	77.0	35.8	31.7	2.6
	cm.	73.7	208.3	177.2	44.5	37.5	16.0	21.8	65.3	7.9	36.8	65.5	20.3	38.1	28.6	2.5	3.8	195.6	90.9	80.5	6.7

HBV300 with WSE Dimensional Data

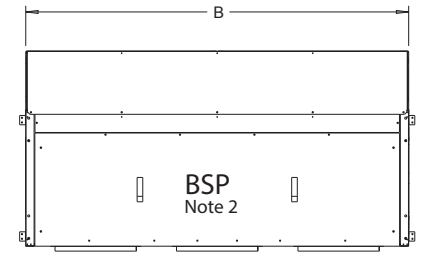
Model	Overall Cabinet			Discharge Connection Duct Flange				Water Connections				Electrical Knockouts				Return Air Connections Using Return Air Opening					
	A	B	C	D	E	F	G	K	L	M	N	O1	O2	P	Q	R	S	T	U	V	
	Depth	Width	Height	Supply Width	Supply Depth	Supply Width	Supply Depth	Water Inlet	Water Outlet	Condensate							Return Depth	Return Height			
300	in.	39.5	82.0	69.8	17.5	14.8	6.3	8.6	25.7	3.1	14.5	25.8	8.0	15.0	11.3	1.0	1.5	77.0	35.8	31.7	2.6
	cm.	100.3	208.3	177.2	44.5	37.5	16.0	21.8	65.3	7.9	36.8	65.5	20.3	38.1	28.6	2.5	3.8	195.6	90.9	80.5	6.7



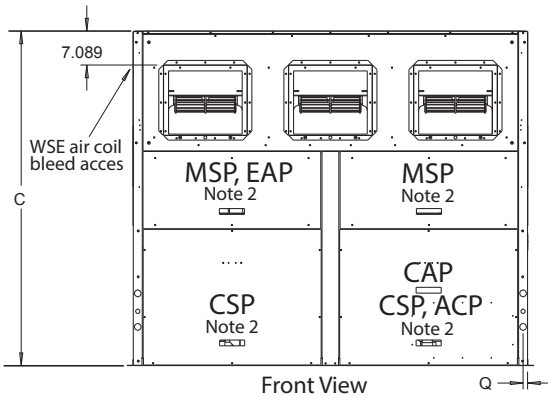
Top View
Rear Return Top Discharge

Legend

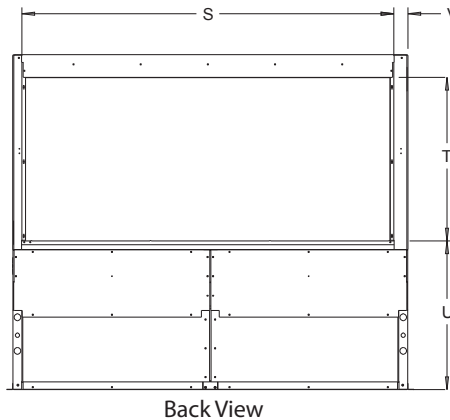
BSP = Blower Service Panel
 CSP = Compressor Service Panel
 CAP = Control Access Panel
 MSP = Motor Service Panel
 ACP = Aquastat Controller Panel
 WSE = Waterside Economizer
 EAP = Expansion Valve Access Panel



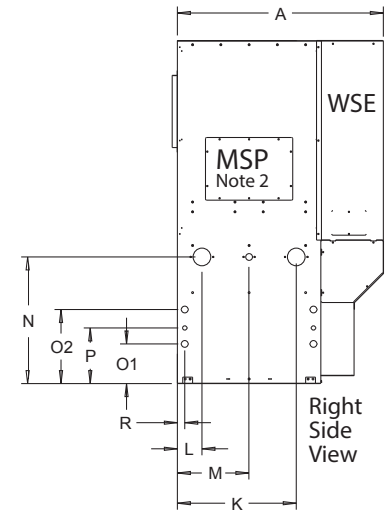
Top View
Rear Return Front Discharge



Front View
Rear Return Front Discharge



Back View
Rear Return Front Discharge



Right Side View

Notes:

- While clear access to all removable panels may not be required, installer should take care to comply with all building codes and allow adequate clearance for future field service.
- Units require 3 feet (91 cm) clearance for water connections, WSE coil air bleed, CAP, CSP, BSP, ACP, and MSP.
- Factory supplied controller (aquastat) is inside unit completely wired. To field adjust temperature setting remove ACP panel and push button.
- Condensate drain is internally trapped, externally vented.
- For top discharge units, BSP is on front. For front discharge units, BSP is on top. (allow 3 feet above unit for service).

Sound Data

Standard Construction

Model		Ducted Discharge - Standard Construction						
		Mode						
		Octave Band Frequency, Hz						
		125	250	500	1000	2000	4000	8000
HBH/V072	Fan Only	74	66	70	63	63	63	54
	Cooling: Part Load	75	67	71	63	63	63	55
	Cooling: Full Load	76	68	72	64	64	64	55
	Heating: Part Load	75	67	71	63	63	63	54
	Heating: Full Load	76	68	72	64	64	64	54
HBH/V096	Fan Only	78	73	76	72	71	71	60
	Cooling: Part Load	79	73	76	72	71	71	60
	Cooling: Full Load	80	74	77	73	72	72	61
	Heating: Part Load	79	73	76	72	71	71	60
	Heating: Full Load	80	74	77	73	72	72	61
HBH/V120	Fan Only	78	75	77	77	74	74	66
	Cooling: Part Load	79	76	78	78	75	75	66
	Cooling: Full Load	80	77	79	79	76	76	67
	Heating: Part Load	79	76	78	78	75	75	66
	Heating: Full Load	80	77	79	79	76	76	67
HBV160	Fan Only	78	76	79	76	76	75	68
	Cooling: Part Load	78	76	79	76	76	75	69
	Cooling: Full Load	79	76	79	76	76	75	69
	Heating: Part Load	78	76	79	77	76	75	68
	Heating: Full Load	78	76	79	77	76	75	68
HBV192	Fan Only	77	77	80	76	76	74	67
	Cooling: Part Load	77	77	80	76	76	75	68
	Cooling: Full Load	78	78	80	76	76	75	68
	Heating: Part Load	77	78	80	76	76	75	68
	Heating: Full Load	78	78	80	77	76	75	68
HBV240	Fan Only	80	82	82	82	80	80	74
	Cooling: Part Load	80	82	82	82	81	80	75
	Cooling: Full Load	81	82	82	82	81	80	75
	Heating: Part Load	80	82	82	82	80	80	74
	Heating: Full Load	81	82	82	82	80	80	74
HBV300	Fan Only	84	77	76	76	72	69	63
	Cooling: Part Load	84	78	76	76	72	69	64
	Cooling: Full Load	85	79	77	77	73	70	64
	Heating: Part Load	84	79	76	76	72	69	63
	Heating: Full Load	85	79	77	77	72	69	64

Free Inlet & Case Radiated - Standard Construction							
Octave Band Frequency, Hz							
125	250	500	1000	2000	4000	8000	
77	69	71	67	62	57	46	
78	69	71	68	63	57	46	
80	70	72	68	63	58	47	
78	69	71	68	63	57	46	
80	70	72	68	63	58	47	
79	73	74	70	65	62	52	
80	73	74	71	66	63	52	
81	74	75	71	66	63	53	
80	73	74	71	66	63	52	
81	74	75	71	66	63	53	
79	75	74	72	68	66	58	
80	76	74	73	70	67	60	
81	77	75	74	71	68	61	
80	76	74	73	70	67	60	
81	77	75	74	71	68	61	
79	78	75	74	73	73	66	
79	78	75	74	73	73	66	
80	78	75	74	73	73	66	
80	78	75	75	73	73	66	
80	78	75	74	73	73	66	
81	77	75	74	74	74	66	
82	78	75	74	73	73	66	
83	78	75	74	76	75	68	
82	77	74	73	72	72	64	
83	77	74	73	72	72	65	
84	82	77	78	77	76	70	
84	82	78	78	77	77	70	
85	82	78	79	78	77	71	
85	82	78	78	77	77	70	
85	82	78	78	77	77	70	
87	82	77	76	74	73	65	
88	82	77	76	74	73	67	
88	82	77	77	74	73	67	
87	83	77	76	75	73	66	
88	83	77	76	75	74	67	

Tested in accordance with ARI 260
Octave Band Sound Power Level, (dB re 1pW)

Sound Data

UltraQuiet Construction

Model		Ducted Discharge - UltraQuiet Construction						
		Octave Band Frequency, Hz						
		125	250	500	1000	2000	4000	8000
HBH/V072	Fan Only	73	64	67	58	60	60	50
	Cooling: Part Load	74	65	68	58	60	60	51
	Cooling: Full Load	75	66	69	59	61	61	51
	Heating: Part Load	74	65	68	58	60	60	50
	Heating: Full Load	75	66	69	59	61	61	51
HBH/V096	Fan Only	77	72	75	71	70	70	59
	Cooling: Part Load	78	72	75	71	70	70	59
	Cooling: Full Load	79	73	76	72	71	71	60
	Heating: Part Load	78	72	75	71	70	70	59
	Heating: Full Load	79	73	76	72	71	71	60
HBH/V120	Fan Only	77	74	76	76	73	73	65
	Cooling: Part Load	78	75	77	77	74	74	65
	Cooling: Full Load	79	76	78	78	75	75	66
	Heating: Part Load	78	75	77	77	74	74	65
	Heating: Full Load	79	76	78	78	75	75	66
HBV160	Fan Only	77	75	77	75	75	73	67
	Cooling: Part Load	77	75	78	75	75	73	68
	Cooling: Full Load	78	75	78	75	75	74	68
	Heating: Part Load	77	75	78	75	75	74	67
	Heating: Full Load	77	75	78	76	75	74	67
HBV192	Fan Only	76	76	79	75	75	73	66
	Cooling: Part Load	76	76	79	75	75	73	67
	Cooling: Full Load	77	76	79	75	75	74	67
	Heating: Part Load	76	76	79	75	75	74	67
	Heating: Full Load	77	76	79	75	75	73	67
HBV240	Fan Only	79	80	81	81	79	80	73
	Cooling: Part Load	79	81	81	81	80	79	74
	Cooling: Full Load	80	81	81	81	79	80	73
	Heating: Part Load	79	81	81	81	79	79	73
	Heating: Full Load	80	81	81	81	79	78	73
HBV300	Fan Only	83	76	75	75	71	68	62
	Cooling: Part Load	83	77	75	75	71	68	63
	Cooling: Full Load	84	78	76	76	72	69	63
	Heating: Part Load	83	78	75	75	71	68	62
	Heating: Full Load	84	78	75	76	71	68	63

Model		Free Inlet & Case Radiated - UltraQuiet Construction						
		Octave Band Frequency, Hz						
		125	250	500	1000	2000	4000	8000
HBH/V072	Fan Only	76	68	70	66	61	56	44
	Cooling: Part Load	77	68	70	67	62	56	44
	Cooling: Full Load	79	69	71	67	62	57	45
	Heating: Part Load	77	68	70	67	62	56	44
	Heating: Full Load	79	69	71	67	62	57	45
HBH/V096	Fan Only	78	72	73	69	64	61	51
	Cooling: Part Load	79	72	73	70	65	62	51
	Cooling: Full Load	80	73	74	70	65	62	52
	Heating: Part Load	79	72	73	70	65	62	51
	Heating: Full Load	80	73	74	70	65	62	52
HBH/V120	Fan Only	78	74	73	71	67	65	57
	Cooling: Part Load	79	75	73	72	69	66	59
	Cooling: Full Load	80	76	74	73	70	67	60
	Heating: Part Load	79	76	73	72	69	66	59
	Heating: Full Load	80	77	74	73	70	67	60
HBV160	Fan Only	78	77	74	73	72	72	65
	Cooling: Part Load	78	77	74	73	72	72	65
	Cooling: Full Load	79	77	74	73	72	72	65
	Heating: Part Load	79	77	74	74	72	72	65
	Heating: Full Load	79	77	74	73	72	72	65
HBV192	Fan Only	79	76	74	73	73	72	65
	Cooling: Part Load	81	77	74	72	72	72	64
	Cooling: Full Load	82	77	74	72	75	73	67
	Heating: Part Load	81	76	73	71	71	70	63
	Heating: Full Load	82	76	72	71	71	71	63
HBV240	Fan Only	83	81	76	77	76	75	69
	Cooling: Part Load	83	81	76	77	76	75	69
	Cooling: Full Load	84	81	77	78	77	76	69
	Heating: Part Load	83	81	76	77	76	75	69
	Heating: Full Load	84	81	77	77	76	76	69
HBV300	Fan Only	86	81	76	75	73	72	64
	Cooling: Part Load	86	81	76	75	73	72	65
	Cooling: Full Load	87	81	76	76	73	72	66
	Heating: Part Load	86	82	76	75	73	72	65
	Heating: Full Load	86	82	76	75	74	72	66

Tested in accordance with ARI 260
Octave Band Sound Power Level, (dB re 1pW)

HBH/V Electrical Data – Standard

Model #	Voltage Code	Voltage	Min/Max Voltage	Blower Option	Compressor			Fan Motor FLA	Total FLA/ Rated Current	Min Circuit Amp	SCCR ka rms symmetrical	SCCR Volts Maximum	Max Fuse/ HACR
					QTY	RLA	LRA						
HBH/V072	3	208/230/60/3	197/254	A, B, C	2	10.4	73.0	3.2	24.0	26.6	N/A	N/A	35
	3	208/230/60/3	197/254	D, E	2	10.4	73.0	6.0	26.8	29.4	N/A	N/A	35
	4	460/60/3	414/506	A, B, C	2	5.8	38.0	1.6	13.2	14.7	N/A	N/A	20
	4	460/60/3	414/506	D, E	2	5.8	38.0	2.9	14.5	16.0	N/A	N/A	20
	5	575/60/3	518/633	A, B, C	2	3.8	36.5	1.2	8.8	9.8	N/A	N/A	15
	5	575/60/3	518/633	D, E	2	3.8	36.5	2.4	10.0	11.0	N/A	N/A	15
HBH/V096	3	208/230/60/3	197/254	A, B, C	2	13.7	83.1	6.0	33.4	36.8	N/A	N/A	50
	3	208/230/60/3	197/254	D, E	2	13.7	83.1	8.5	35.9	39.3	N/A	N/A	50
	4	460/60/3	414/506	A, B, C	2	6.2	41.0	2.9	15.3	16.9	N/A	N/A	20
	4	460/60/3	414/506	D, E	2	6.2	41.0	4.1	16.5	18.1	N/A	N/A	20
	5	575/60/3	518/633	A, B, C	2	4.8	33.0	2.4	12.0	13.2	N/A	N/A	15
	5	575/60/3	518/633	D, E	2	4.8	33.0	3.2	12.8	14.0	N/A	N/A	15
HBH/V120	3	208/230/60/3	197/254	A, B, C	2	15.6	110.0	8.5	39.7	43.6	N/A	N/A	50
	3	208/230/60/3	197/254	D, E	2	15.6	110.0	13.8	45.0	48.9	N/A	N/A	60
	4	460/60/3	414/506	A, B, C	2	7.8	52.0	4.1	19.7	21.7	N/A	N/A	25
	4	460/60/3	414/506	D, E	2	7.8	52.0	6.5	22.1	24.1	N/A	N/A	30
	5	575/60/3	518/633	A, B, C	2	5.8	38.9	3.2	14.8	16.3	N/A	N/A	20
	5	575/60/3	518/633	D, E	2	5.8	38.9	5.2	16.8	18.3	N/A	N/A	20
HBV160	3	208/230/60/3	197/254	A, B, C	2	23.2	164.0	8.5	54.9	60.7	5	600	80
	3	208/230/60/3	197/254	D, E	2	23.2	164.0	13.8	60.2	66.0	5	600	80
	4	460/60/3	414/506	A, B, C	2	11.2	75.0	4.1	26.5	29.3	N/A	N/A	40
	4	460/60/3	414/506	D, E	2	11.2	75.0	6.5	28.9	31.7	N/A	N/A	40
	5	575/60/3	518/633	A, B, C	2	7.9	54.0	3.2	19.0	21.0	N/A	N/A	25
	5	575/60/3	518/633	D, E	2	7.9	54.0	5.2	21.0	23.0	N/A	N/A	30
HBV192	3	208/230/60/3	197/254	A, B, C	2	25.0	164.0	8.5	58.5	64.8	5	600	80
	3	208/230/60/3	197/254	D, E	2	25.0	164.0	13.8	63.8	70.1	5	600	90
	4	460/60/3	414/506	A, B, C	2	12.2	100.0	4.1	28.5	31.6	N/A	N/A	40
	4	460/60/3	414/506	D, E	2	12.2	100.0	6.5	30.9	34.0	N/A	N/A	45
	5	575/60/3	518/633	A, B, C	2	9.0	78.0	3.2	21.2	23.5	N/A	N/A	30
	5	575/60/3	518/633	D, E	2	9.0	78.0	5.2	23.2	25.5	N/A	N/A	30
HBV240	3	208/230/60/3	197/254	A, B, C	2	30.1	225.0	13.8	74.0	81.5	5	600	110
	3	208/230/60/3	197/254	D, E	2	30.1	225.0	21.0	81.2	88.7	5	600	110
	4	460/60/3	414/506	A, B, C	2	16.7	114.0	6.5	39.9	44.1	N/A	N/A	60
	4	460/60/3	414/506	D, E	2	16.7	114.0	9.9	43.3	47.5	N/A	N/A	60
	5	575/60/3	518/633	A, B, C	2	12.2	80.0	5.2	29.6	32.7	N/A	N/A	40
	5	575/60/3	518/633	D, E	2	12.2	80.0	8.0	32.4	35.5	N/A	N/A	45
HBV300	3	208/230/60/3	197/254	A, B, C	2	48.1	245.0	21.0	117.2	129.2	5	600	150
	3	208/230/60/3	197/254	E	2	48.1	245.0	26.0	122.2	134.2	5	600	150
	4	460/60/3	414/506	A, B, C	2	18.6	125.0	9.9	47.1	51.8	5	600	70
	4	460/60/3	414/506	E	2	18.6	125.0	12.5	49.7	54.4	5	600	70
	5	575/60/3	518/633	A, B, C	2	14.7	100.0	8.0	37.4	41.1	N/A	N/A	50
	5	575/60/3	518/633	E	2	14.7	100.0	10.2	39.6	43.3	N/A	N/A	50

All fuses Class RK-5

HBH/V Electrical Data – Dual Point Power

Model #	Voltage Code	Voltage	Min/ Max Voltage	Blower Option	Compressor Power Supply								Emergency Power Supply				
					QTY	RLA	LRA	Comp FLA/ Rated Current	Comp MCA	SCCR kA rmas symmetrical	SCCR Volts Maximum	Comp Max Fuse/ HACR	Fan FLA/ Rated Current	Fan MCA	SCCR kA rmas symmetrical	SCCR Volts Maximum	Fan Max Fuse/ HACR
HBH/V072	3	208/230/60/3	197/254	A, B, C	2	10.4	73.0	20.8	23.4	N/A	N/A	30	3.2	4.0	N/A	N/A	15
	3	208/230/60/3	197/254	D, E	2	10.4	73.0	20.8	23.4	N/A	N/A	30	6.0	7.5	N/A	N/A	15
	4	460/60/3	414/506	A, B, C	2	5.8	38.0	11.6	13.1	N/A	N/A	15	1.6	2.0	N/A	N/A	15
	4	460/60/3	414/506	D, E	2	5.8	38.0	11.6	13.1	N/A	N/A	15	2.9	3.6	N/A	N/A	15
	5	575/60/3	518/633	A, B, C	2	3.8	36.5	7.6	8.6	N/A	N/A	15	1.2	1.5	N/A	N/A	15
	5	575/60/3	518/633	D, E	2	3.8	36.5	7.6	8.6	N/A	N/A	15	2.4	3.0	N/A	N/A	15
HBH/V096	3	208/230/60/3	197/254	A, B, C	2	13.7	83.1	27.4	30.8	N/A	N/A	40	6.0	7.5	N/A	N/A	15
	3	208/230/60/3	197/254	D, E	2	13.7	83.1	27.4	30.8	N/A	N/A	40	8.5	10.6	N/A	N/A	15
	4	460/60/3	414/506	A, B, C	2	6.2	41.0	12.4	14.0	N/A	N/A	20	2.9	3.6	N/A	N/A	15
	4	460/60/3	414/506	D, E	2	6.2	41.0	12.4	14.0	N/A	N/A	20	4.1	5.1	N/A	N/A	15
	5	575/60/3	518/633	A, B, C	2	4.8	33.0	9.6	10.8	N/A	N/A	15	2.4	3.0	N/A	N/A	15
	5	575/60/3	518/633	D, E	2	4.8	33.0	9.6	10.8	N/A	N/A	15	3.2	4.0	N/A	N/A	15
HBH/V120	3	208/230/60/3	197/254	A, B, C	2	15.6	110.0	31.2	35.1	N/A	N/A	50	8.5	10.6	N/A	N/A	15
	3	208/230/60/3	197/254	D, E	2	15.6	110.0	31.2	35.1	N/A	N/A	50	13.8	17.3	N/A	N/A	30
	4	460/60/3	414/506	A, B, C	2	7.8	52.0	15.6	17.6	N/A	N/A	25	4.1	5.1	N/A	N/A	15
	4	460/60/3	414/506	D, E	2	7.8	52.0	15.6	17.6	N/A	N/A	25	6.5	8.1	N/A	N/A	15
	5	575/60/3	518/633	A, B, C	2	5.8	38.9	11.6	13.1	N/A	N/A	15	3.2	4.0	N/A	N/A	15
	5	575/60/3	518/633	D, E	2	5.8	38.9	11.6	13.1	N/A	N/A	15	5.2	6.5	N/A	N/A	15
HBV160	3	208/230/60/3	197/254	A, B, C	2	23.2	164.0	46.4	52.2	5	600	70	8.5	10.6	N/A	N/A	15
	3	208/230/60/3	197/254	D, E	2	23.2	164.0	46.4	52.2	5	600	70	13.8	17.3	N/A	N/A	30
	4	460/60/3	414/506	A, B, C	2	11.2	75.0	22.4	25.2	N/A	N/A	35	4.1	5.1	N/A	N/A	15
	4	460/60/3	414/506	D, E	2	11.2	75.0	22.4	25.2	N/A	N/A	35	6.5	8.1	N/A	N/A	15
	5	575/60/3	518/633	A, B, C	2	7.9	54.0	15.8	17.8	N/A	N/A	25	3.2	4.0	N/A	N/A	15
	5	575/60/3	518/633	D, E	2	7.9	54.0	15.8	17.8	N/A	N/A	25	5.2	6.5	N/A	N/A	15
HBV192	3	208/230/60/3	197/254	A, B, C	2	25.0	164.0	50.0	56.3	5	600	80	8.5	10.6	N/A	N/A	15
	3	208/230/60/3	197/254	D, E	2	25.0	164.0	50.0	56.3	5	600	80	13.8	17.3	N/A	N/A	30
	4	460/60/3	414/506	A, B, C	2	12.2	100.0	24.4	27.5	N/A	N/A	35	4.1	5.1	N/A	N/A	15
	4	460/60/3	414/506	D, E	2	12.2	100.0	24.4	27.5	N/A	N/A	35	6.5	8.1	N/A	N/A	15
	5	575/60/3	518/633	A, B, C	2	9.0	78.0	18.0	20.3	N/A	N/A	25	3.2	4.0	N/A	N/A	15
	5	575/60/3	518/633	D, E	2	9.0	78.0	18.0	20.3	N/A	N/A	25	5.2	6.5	N/A	N/A	15
HBV240	3	208/230/60/3	197/254	A, B, C	2	30.1	225.0	60.2	67.7	5	600	90	13.8	17.3	N/A	N/A	30
	3	208/230/60/3	197/254	D, E	2	30.1	225.0	60.2	67.7	5	600	90	21.0	26.3	N/A	N/A	45
	4	460/60/3	414/506	A, B, C	2	16.7	114.0	33.4	37.6	N/A	N/A	50	6.5	8.1	N/A	N/A	15
	4	460/60/3	414/506	D, E	2	16.7	114.0	33.4	37.6	N/A	N/A	50	9.9	12.4	N/A	N/A	20
	5	575/60/3	518/633	A, B, C	2	12.2	80.0	24.4	27.5	N/A	N/A	35	5.2	6.5	N/A	N/A	15
	5	575/60/3	518/633	D, E	2	12.2	80.0	24.4	27.5	N/A	N/A	35	8.0	10.0	N/A	N/A	15
HBV300	3	208/230/60/3	197/254	A, B, C	2	48.1	245.0	96.2	108.2	5	600	150	21.0	26.3	N/A	N/A	45
	3	208/230/60/3	197/254	E	2	48.1	245.0	96.2	108.2	5	600	150	26.0	32.5	N/A	N/A	50
	4	460/60/3	414/506	A, B, C	2	18.6	125.0	37.2	41.9	N/A	N/A	60	9.9	12.4	N/A	N/A	20
	4	460/60/3	414/506	E	2	18.6	125.0	37.2	41.9	N/A	N/A	60	12.5	15.6	N/A	N/A	25
	5	575/60/3	518/633	A, B, C	2	14.7	100.0	29.4	33.1	N/A	N/A	45	8.0	10.0	N/A	N/A	15
	5	575/60/3	518/633	E	2	14.7	100.0	29.4	33.1	N/A	N/A	45	10.2	12.8	N/A	N/A	20

All fuses Class RK-5

HBH/V Electrical Data – Standard VFD

Model #	Voltage Code	Voltage	Min/Max Voltage	Blower Option	Compressor			VFD FLA	Total FLA/ Rated Current	Min Circuit Amp	SCCR kA rms symmetrical	SCCR Volts Maximum	Max Fuse/ HACR
					QTY	RLA	LRA						
HBH/V072	3	208-3-60	197/254	F	2	10.4	73.0	13.2	34.0	36.6	N/A	N/A	45
	4	460-3-60	414/506	F	2	5.8	38.0	6.9	18.5	20.0	N/A	N/A	15
HBH/V096	3	208-3-60	197/254	F	2	13.7	83.1	23.9	51.3	54.7	N/A	N/A	60
	4	460-3-60	414/506	F	2	6.2	41.0	9.6	22.0	23.6	N/A	N/A	25
HBH/V120	3	208-3-60	197/254	F	2	15.6	110.0	27.3	58.5	62.4	5	600	70
	4	460-3-60	414/506	F	2	7.8	52.0	13.6	29.2	31.2	N/A	N/A	35
HBV160	3	208-3-60	197/254	F	2	23.2	164.0	27.3	73.7	79.5	5	600	100
	4	460-3-60	414/506	F	2	11.2	75.0	13.6	36.0	38.8	N/A	N/A	50
HBV192	3	208-3-60	197/254	F	2	25.0	164.0	27.3	77.3	83.6	5	600	100
	4	460-3-60	414/506	F	2	12.2	100.0	13.6	38.0	41.1	N/A	N/A	50
HBV240	3	208-3-60	197/254	F	2	30.1	225.0	45.0	105.2	112.7	5	600	125
	4	460-3-60	414/506	F	2	16.7	114.0	18.8	52.2	56.4	5	600	70
HBV300	3	208-3-60	197/254	F	2	48.1	245.0	55.0	151.2	163.2	5	600	200
	4	460-3-60	414/506	F	2	18.6	125.0	22.1	59.3	64.0	5	600	80

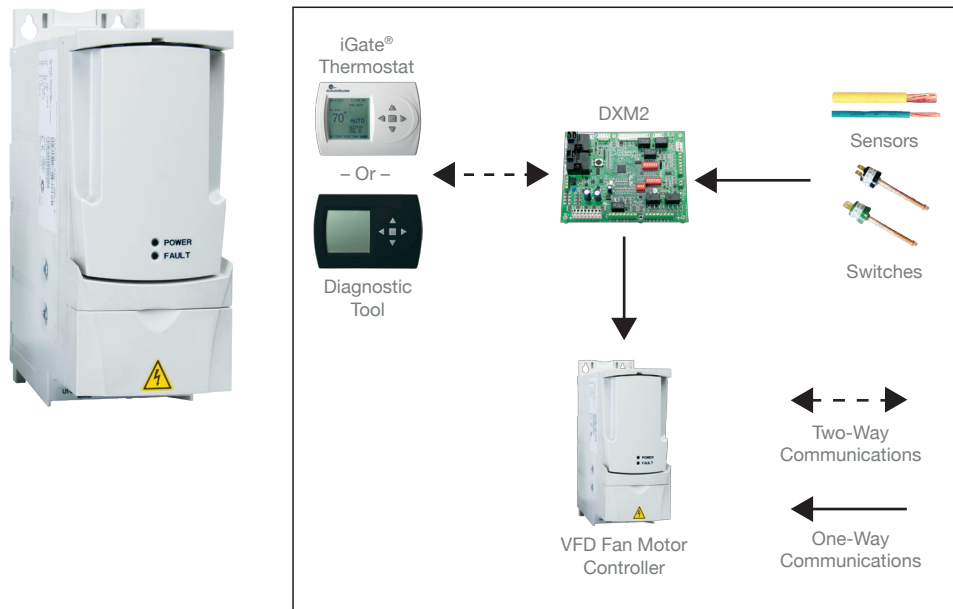
HBH/V Electrical Data – Dual Point Power VFD

Model #	Voltage Code	Voltage	Min/Max Voltage	Blower Option	Compressor Power Supply								Emergency Power Supply				
					QTY	RLA	LRA	Comp FLA/ Rated Current	Comp MCA	SCCR kA rms symmetrical	SCCR Volts Maximum	Comp Max Fuse/ HACR	VFD FLA/ Rated Current	Fan MCA	SCCR kA rms symmetrical	SCCR Volts Maximum	Fan Max Fuse/ HACR
HBH/V072	3	208-3-60	197/254	F	2	10.4	73.0	20.8	23.4	N/A	N/A	30	13.2	16.5	N/A	N/A	25
	4	460-3-60	414/506	F	2	5.8	38.0	11.6	13.1	N/A	N/A	15	6.9	8.6	N/A	N/A	15
HBH/V096	3	208-3-60	197/254	F	2	13.7	83.1	27.4	30.8	N/A	N/A	40	23.9	29.9	N/A	N/A	50
	4	460-3-60	414/506	F	2	6.2	41.0	12.4	14.0	N/A	N/A	20	9.6	12.0	N/A	N/A	20
HBH/V120	3	208-3-60	197/254	F	2	15.6	110.0	31.2	35.1	N/A	N/A	50	27.3	34.1	N/A	N/A	60
	4	460-3-60	414/506	F	2	7.8	52.0	15.6	17.6	N/A	N/A	25	13.6	17.0	N/A	N/A	30
HBV160	3	208-3-60	197/254	F	2	23.2	164.0	46.4	52.2	5	600	70	27.3	34.1	N/A	N/A	60
	4	460-3-60	414/506	F	2	11.2	75.0	22.4	25.2	N/A	N/A	35	13.6	17.0	N/A	N/A	30
HBV192	3	208-3-60	197/254	F	2	25.0	164.0	50.0	56.3	5	600	80	27.3	34.1	N/A	N/A	60
	4	460-3-60	414/506	F	2	12.2	100.0	24.4	27.5	N/A	N/A	35	13.6	17.0	N/A	N/A	30
HBV240	3	208-3-60	197/254	F	2	30.1	225.0	60.2	67.7	5	600	90	45.0	56.3	5	600	100
	4	460-3-60	414/506	F	2	16.7	114.0	33.4	37.6	N/A	N/A	50	18.8	23.5	N/A	N/A	40
HBV300	3	208-3-60	197/254	F	2	48.1	245.0	96.2	108.2	5	600	150	55.0	68.8	5	600	100
	4	460-3-60	414/506	F	2	18.6	125.0	37.2	41.9	N/A	N/A	60	22.1	27.6	N/A	N/A	45

Blower Motor Variable Frequency Drive (VFD) Controls (Optional)

DESCRIPTION: Variable Frequency Drives are controllers that vary electrical frequency and voltage to the fan motor. Electrical frequency is directly related to a fan motor's speed (RPM's). The faster the frequency, the faster the motor will go and vice versa. VFD's allow the fan motor to ramp speed (CFM) up or down to match the load of the space they are satisfying. This allows the HB Large product to deliver variable capacity, optimizing system efficiency and saving owners money.

VFD controllers come factory installed and tested to provide supply fan motor speed modulation. VFDs on the supply fan, are quieter, more efficient, and are eligible for utility rebates. These products are commonly used in single zone variable air volume (VAV) applications. When applied to single zone VAV applications the system modulates the indoor fan and stages compressors as space temperature changes, for increased part-load efficiency and more precise temperature control with fan speed varying down to 37.5%. The drive's energy optimizer tunes its performance for blower motor savings of up to 70%. Built-in energy efficiency calculators monitor the energy used and saved. The savings are shown in kilowatt-hours and in local currency. Carbon dioxide (CO2) emission reductions are also shown. The VFD controls are paired with our advanced DXM2 controls to provide superior service and functionality.



Blower Motor Variable Frequency Drive (VFD) Controls (Optional)

SEQUENCE OF OPERATIONS:

VFD Blower Operation

The VFD blower option comes factory programmed with DXM2 controls. The DXM2 controls the VFD blower controller using a 0–10 VDC control signal, and comes factory programmed for Leaving Air Temperature (LAT) control mode. The actual operating range for the VFD when the blower should be active will be 3.7–10 VDC associated to the operating speeds of 37–100%. When the VFD is off, the output should be set to 0 VDC. For each unit size, there will be a maximum and minimum operating speed that the VFD can be operated at for any mode, defined in VFD operational table 1.1.

The VFD blower may be operated in LAT or discrete speed control modes.

NOTE: VFD output is 50% of last value during heating or cooling blower off delay times.

LAT Control VFD Operation

The DXM2 will come factory configured for LAT control operation. The VFD speed will be controlled by the DXM2 to maintain the selected target LAT for heating or cooling operation, typically 55°F for cooling.

When a compressor demand is recognized, the VFD output will be set to the most recent operating speed of the VFD in the current operating mode (heating or cooling). If there is no value stored from a previous heating or cooling cycle, the VFD speed will initially set at 75% or 8.0 VDC. After the VFD speed is initially set, the VFD control signal will not be adjusted until after 90 seconds of compressor operation, and then will be periodically checked and adjusted every 10 seconds if needed to maintain the LAT.

If the control switches from the heating mode to cooling, or cooling to heating without de-activating the compressor, the VFD control voltage will immediately switch to the last stored control voltage for the new operating mode, and then will not be adjusted for the first 90 seconds of operation in the new operating mode.

The VFD control voltage is increased or decreased incrementally based on the magnitude of the differential between the current LAT and the target LAT defined in VFD operational table 1.2.

Discrete Speed VFD Operation

When the DXM2 is configured for discrete speed VFD operation, the VFD speed will be set to the selected operating speed (A, B or C) for full load heating or cooling. Full load operation is defined as second stage or higher heating or cooling. The possible discrete operating speeds for each unit size are defined in VFD operational table 1.1.

When the DXM2 is configured for discrete speed VFD operation, the VFD operating speed may be increased or decreased by 10%, if the appropriate speed adjustment flag is set in the VFD configuration flags. If the increase and decrease flags are both set, there will be no adjustment from the normal value.

When operating in first stage heating or cooling, the VFD speed will be set to the percentage of the selected full load operating speed (A, B or C, plus or minus adjustment) listed for each unit size as defined in VFD operational table 1.1.

VFD Operational Table 1.1

HP Family	Unit Size	Minimum VFD Speed	Maximum VFD Speed	VFD Fixed Speed A	VFD Fixed Speed B	VFD Fixed Speed C	Part Load Multiplier	Default Fan Speed
HBH/V	072	3.7	10.0	7.4	6.2	9.0	71%	5.2
	096	3.8	10.0	7.0	6.0	9.0	75%	5.0
	120	4.2	10.0	8.0	7.0	9.0	70%	6.0
	144	4.0	8.8	6.4	7.2	8.0	72%	6.4
	160	4.1	10.0	7.9	6.4	9.0	76%	5.4
	192	4.4	10.0	8.0	7.0	9.0	73%	6.0
	240	4.2	10.0	8.0	7.0	9.0	70%	6.0
	300	5.0	10.0	8.0	8.0	9.5	71%	7.0

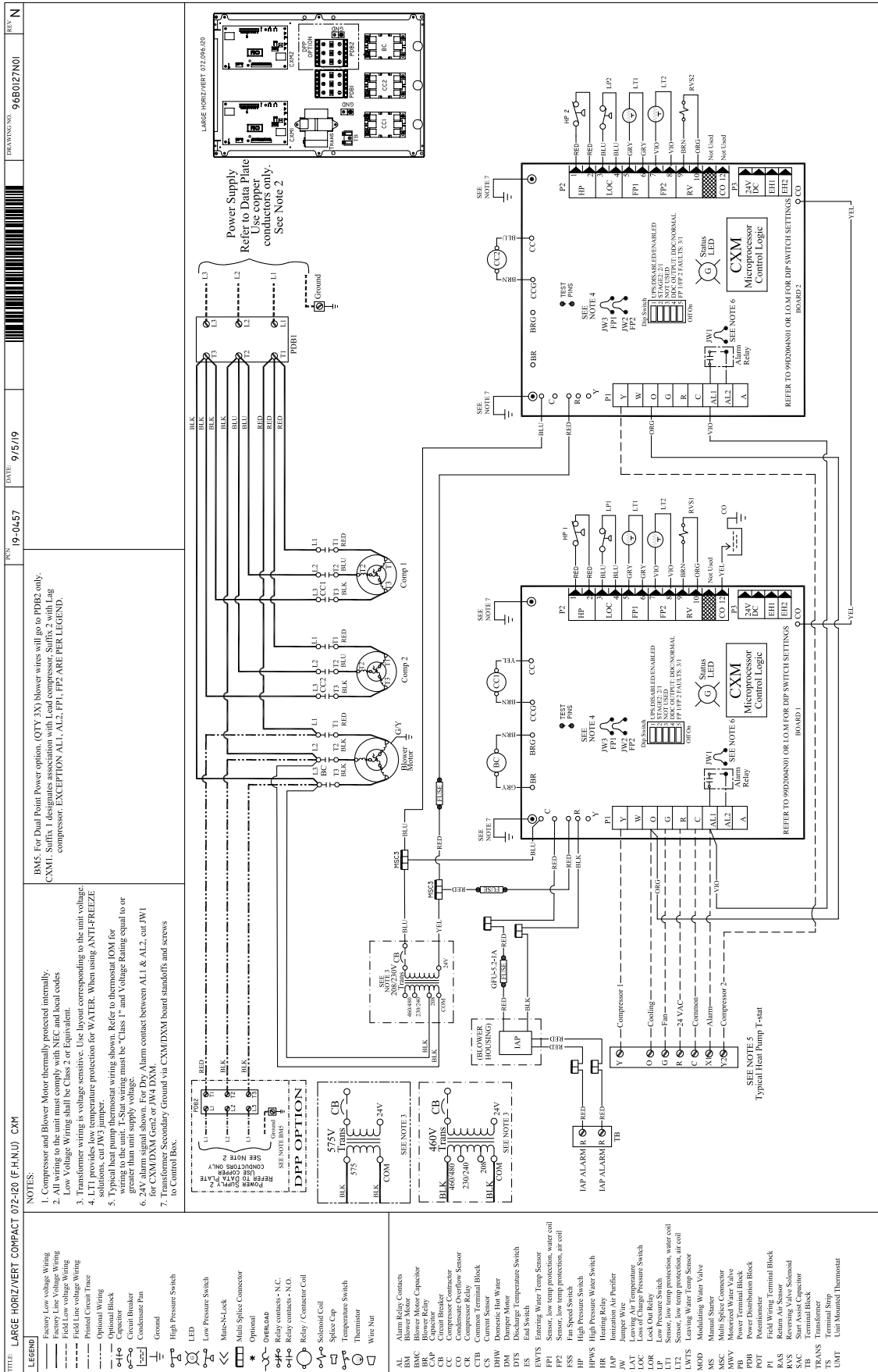
VFD Operational Table 1.2

LAT differential Actual – Target	VFD adjust (VDC)
$\Delta T \leq 1.0^\circ\text{F}$	0.0
$1.0 < \Delta T \leq 2.0^\circ\text{F}$	0.1
$2.0 < \Delta T \leq 3.0^\circ\text{F}$	0.2
$3.0 < \Delta T \leq 5.0^\circ\text{F}$	0.3
$\Delta T > 5.0^\circ\text{F}$	0.4

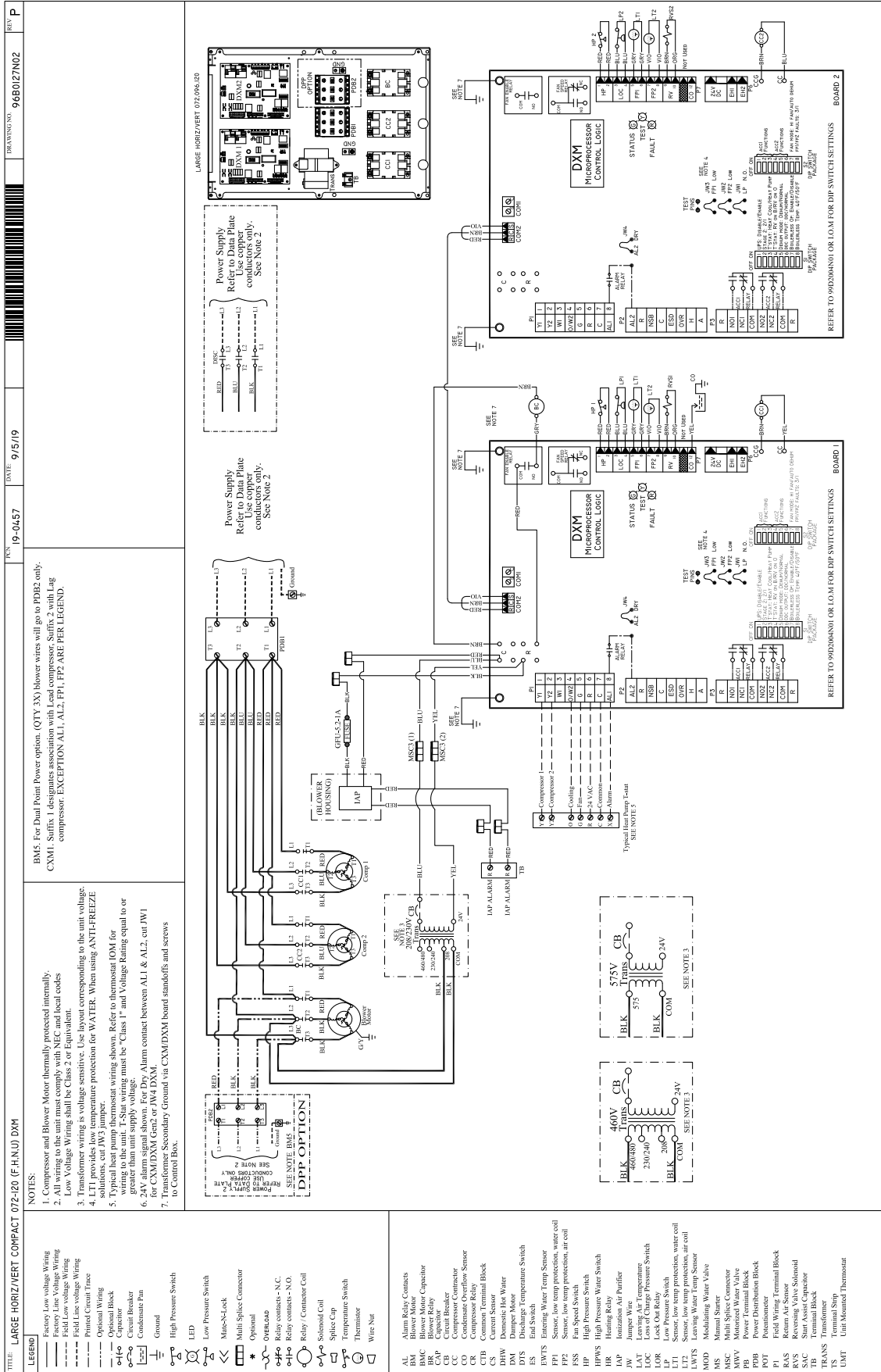
HBH/V Series Wiring Diagram Matrix

Model	Wiring Diagram Part Number	Electrical	Control	
HBH/V 072-300	96B0127N01	208/230/60/3 460/60/3 575/60/3	CXM	
	96B0127N02		DXM	
	96B0147N01		MPC	
	96B0147N02		LON	
HBH/V 072-120 with WSE	96B0303N01			DXM
HBV 160-300 with WSE	96B0304N01			
WSE Control	96B0303N02			
HBH/V 072-120 w/VFD	96B0127N15			DXM2
HBV 160-360 w/VFD	96B0127N14			

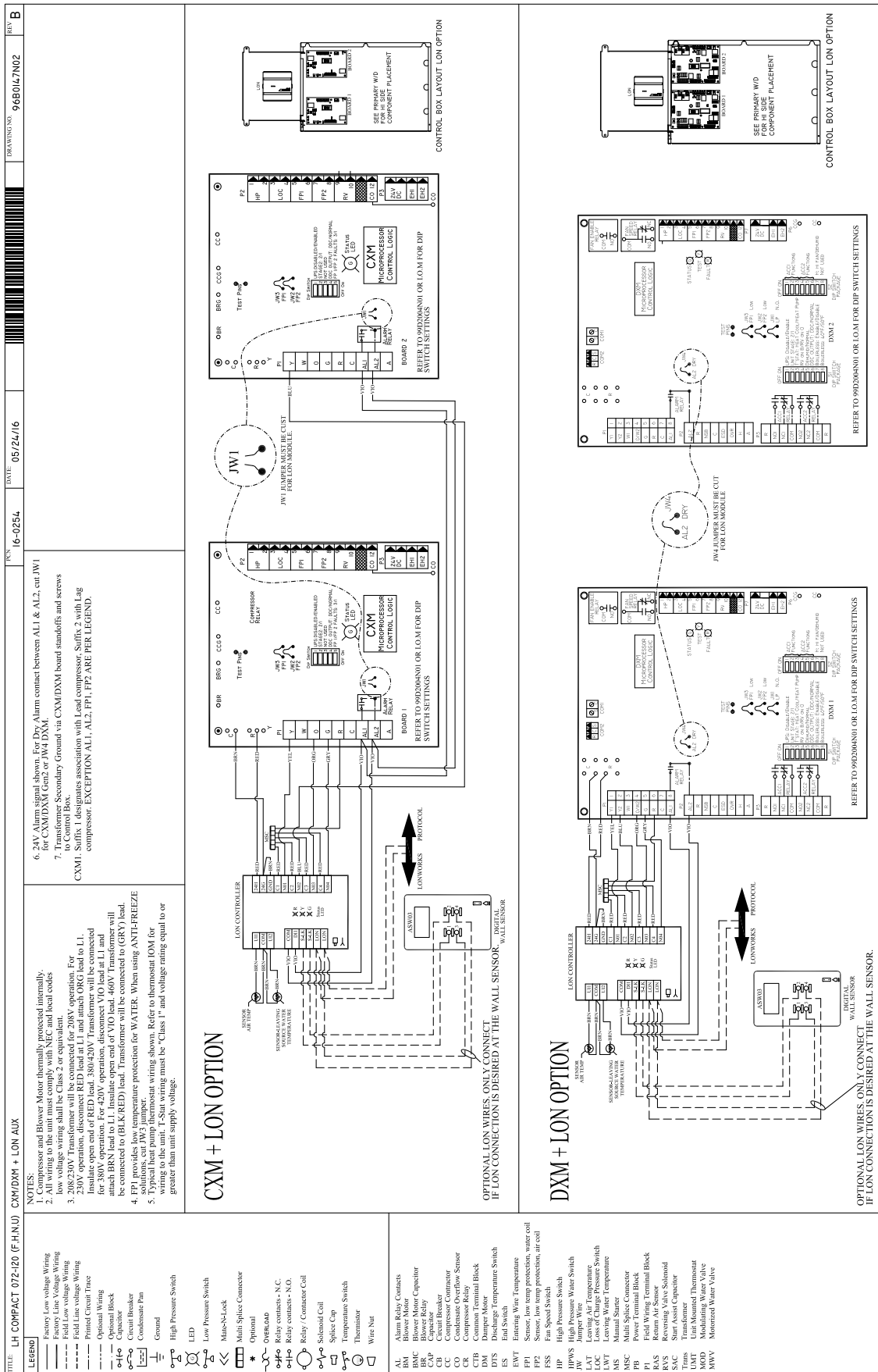
Typical Wiring Diagram – Three Phase HBH/V072-300 with CXM Controller



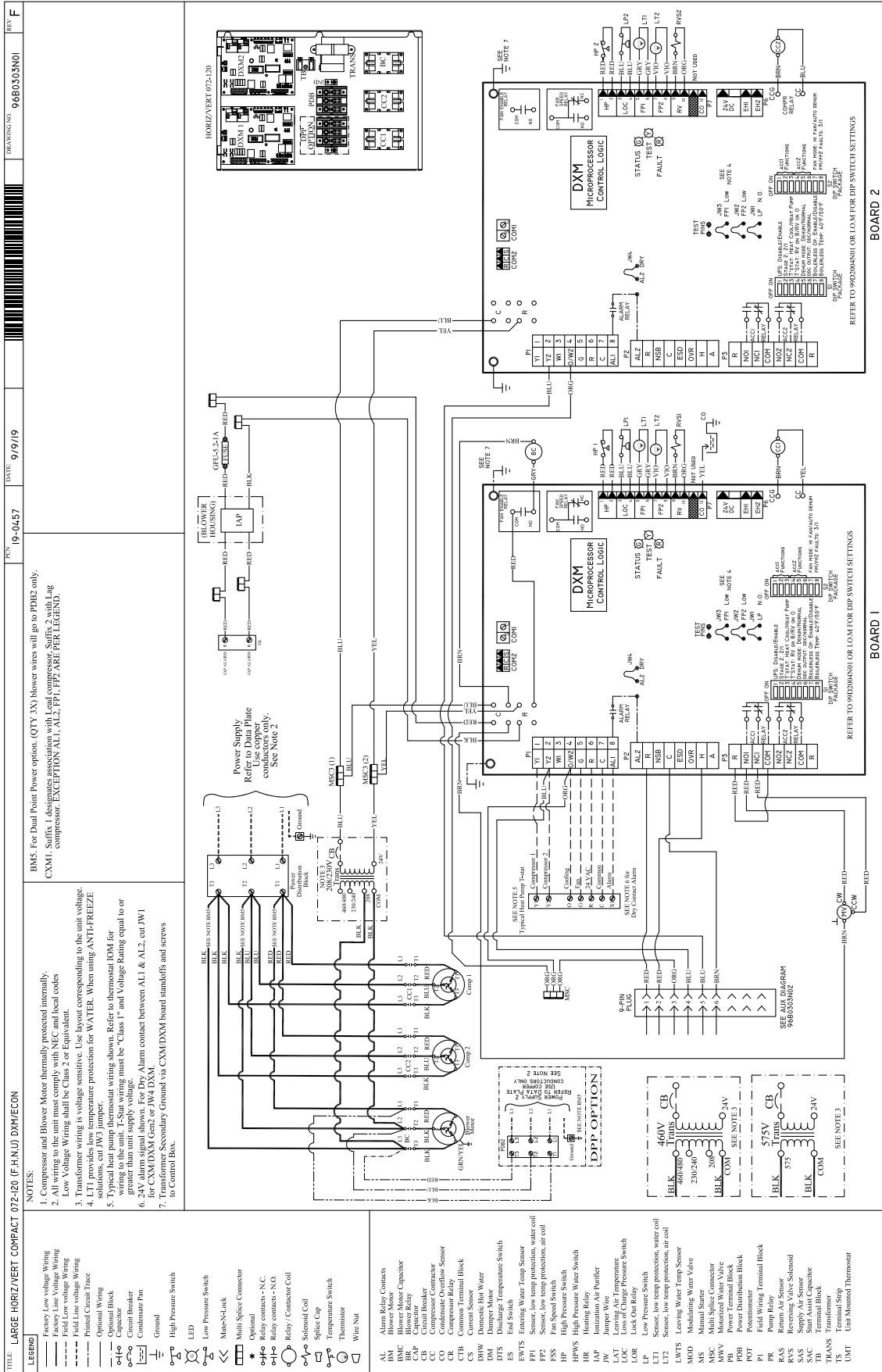
Typical Wiring Diagram – Three Phase HBH/V072-300 with DXM



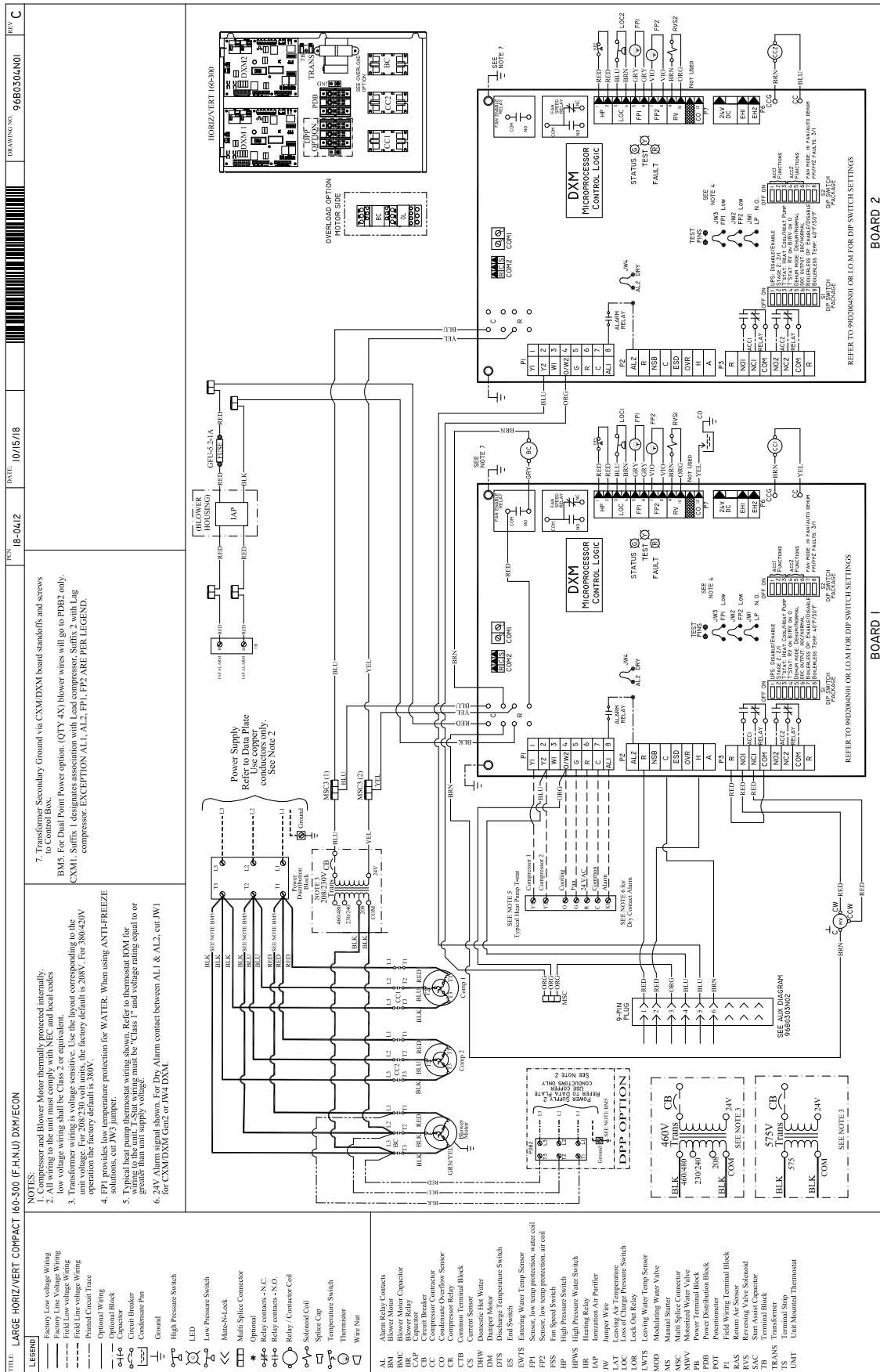
Typical Wiring Diagram – for LON with CXM and DXM



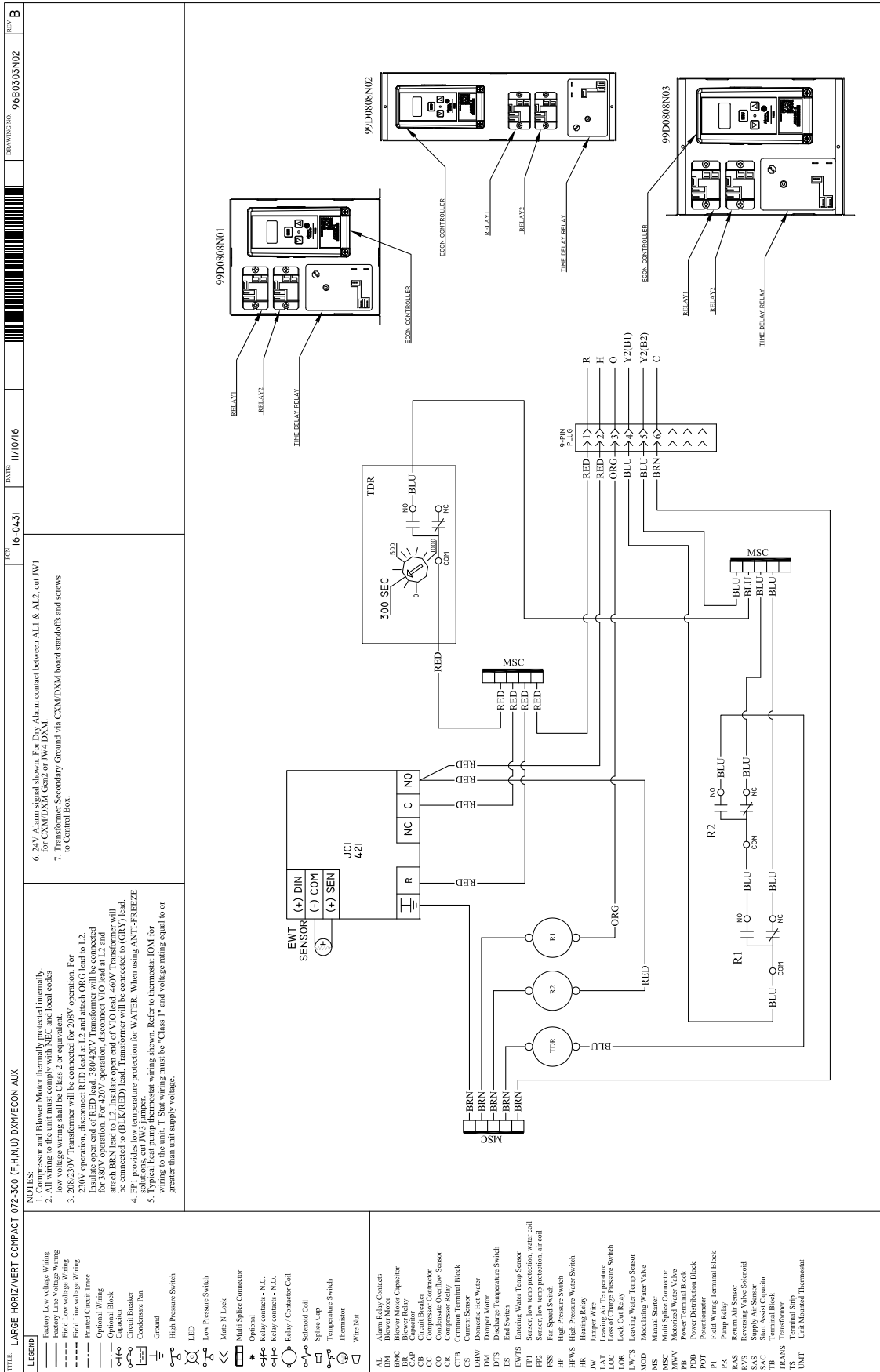
Typical Wiring Diagram – HBH/V072-120 with WSE



Typical Wiring Diagram – HBV160-300 with WSE



Typical Wiring Diagram – WSE Control



HBH/V Series 60Hz Engineering Specifications – Page 1

General:

Furnish and install Comfort-Aire/Century HBH/V Series, as indicated on the plans. Equipment shall be completely assembled, piped and internally wired. Capacities and characteristics as listed in the schedule and the specifications that follow.

Units shall be supplied completely factory built capable of operating over an entering water temperature range from 20° to 120°F (-6.7° to 48.9°C) as standard. Equivalent units from other manufacturers may be proposed provided approval to bid is given 10 days prior to bid closing. All equipment listed in this section must be rated and certified in accordance with Air-Conditioning, Heating and Refrigeration Institute/International Standards Organization (AHRI/ISO 13256-1). All equipment must be tested, investigated, and determined to comply with the requirements of the standards for Heating and Cooling Equipment UL-1995 for the United States and CAN/CSA-C22.2 NO.236 for Canada, by Intertek Testing Laboratories (ETL). The units shall have AHRI/ISO and ETL-US-C labels.

All units shall pass a factory acceptance test. The quality control system shall automatically perform factory acceptance test via computer. A detailed report card from the factory acceptance test shall ship with each unit. *(Note: If unit fails the factory acceptance test, it shall not be allowed to ship. Unit serial number shall be recorded by factory acceptance test and furnished on report card for ease of unit warranty status.)*

Basic Construction:

Horizontal units shall have one of the following air flow arrangements: Left Return/Back Discharge, Left Return/Straight Discharge, Right Return/Back Discharge, Right Return/Straight Discharge as shown on the plans. Units can be field converted without requiring new panels or belts. ***Units that cannot be field converted shall not be acceptable.***

Vertical units shall have one of the following air flow arrangements: rear return/top discharge, front return/top discharge, rear return/front discharge, front return/rear discharge as shown on plans. Units can be field converted without requiring new panels or belts. ***Units that cannot be field converted shall not be acceptable.***

If units with these arrangements are not used, the contractor is responsible for any extra costs incurred by other trades. All units must have a minimum of two access panels for serviceability of compressor compartment. ***Units having only one access panel to compressor/heat exchangers/expansion device/refrigerant piping shall not be acceptable.***

Compressor section interior surfaces shall be lined with 1/2-inch (12.7 mm) thick, 1-1/2 lb/ft³ (24 kg/m³) acoustic type glass fiber insulation. Air handling section interior surfaces shall be lined with 1/2-inch (12.7 mm) thick, 1-3/4 lb/ft³ (28 kg/m³) foil backed fiber insulation for ease of cleaning. Insulation placement shall be designed in a manner that will eliminate any exposed edges to prevent the introduction of glass fibers into the air stream. ***Units without foil faced insulation in the air handling section will not be accepted.***

Units shall be fabricated from heavy gauge galvanized steel with powder coat finish on front access panels.

Standard insulation must meet NFPA Fire Hazard Classification requirements 25/50 per ASTM E84, UL 723, CAN/ULC S102-M88 and NFPA 90A requirements; air erosion and mold growth limits of UL-181; stringent fungal resistance test per ASTM-C1071 and ASTM G21; and shall meet zero level bacteria growth per ASTM G22. ***Unit insulation must meet these stringent requirements or unit(s) will not be accepted.***

HBH/V Series 60Hz Engineering Specifications – Page 2

Horizontal units to have discharge air duct collar, 1-inch (25.4 mm) or 2-inch (50.8 mm) filter rails with filters factory installed, and factory installed hanger brackets. Vertical units to have discharge air duct collar shipped loose, and 1-inch (25.4 mm), 2-inch (50.8 mm), or 4-inch (101.6 mm) full filter frame with filters factory installed ***If units with these factory installed provisions are not used, the contractor is responsible for any extra costs to field install these provisions, and/or the extra costs for his sub-contractor to install these provisions.***

All units must have an insulated panel separating the fan compartment from the compressor compartment. ***Units with the compressor in the air stream are not acceptable.***

Horizontal units shall have factory installed filter rails with filter removal from either side. Vertical units shall have factory installed full filter frame with filter removal from bottom. The contractor shall purchase one spare set of filters and replace factory shipped filters on completion of start-up. Filters shall be standard sizes. If units utilize non-standard filter sizes then the contractor shall provide 12 spare filter sets for each unit.

Cabinets shall have separate knockouts on front and sides for entrance of line voltage and low voltage control wiring. All factory-installed wiring passing through factory knockouts and openings shall be protected from sheet metal edges at openings by plastic ferrules. Supply and return water connections shall be copper FPT fittings, connections on both sides (installer to choose side and plug opposite) and shall be securely mounted flush to the cabinet side allowing for connection of a flexible hose without the use of a back-up wrench. ***Water connections that protrude through the cabinet or require the use of a backup wrench shall not be allowed.*** Water connections on only one side will not be accepted. All water connections and electrical knockouts must not interfere with the serviceability of unit. ***Contractor shall be responsible for any extra costs involved in the installation of units that do not have this feature.*** Contractor must ensure that units can be easily removed for servicing and coordinate locations of electrical conduit and lights with the electrical contractor.

Option: Dual-point power.

Option: UltraQuiet package shall consist of high technology sound attenuating material that is strategically applied to the compressor and air handling compartment casings and fan scroll in addition to the standard ClimaQuiet system design, to further dampen and attenuate sound transmissions. Compressor is mounted on specially engineered sound-tested isolators.

Fan and Motor Assembly:

All units shall have belt-driven single centrifugal fan. Fan motor shall be premium duty, VFD compatible, permanently lubricated with thermal overload protection. Units supplied without permanently lubricated motors must provide external oilers for easy service. The fan and motor assembly must be capable of overcoming the external static pressures as shown on the schedule. Airflow/Static pressure rating of the unit shall be based on a wet coil and a clean filter in place. ***Ratings based on a dry coil and/or no filter, or on an ESP less than 0.25-inches (6.35 mm w.g.) shall NOT be acceptable.***

Option: Various blower drive packages for selectable static pressure/airflow.

*Option: Variable Frequency Drives (VFD). VFD controls shall be factory mounted, installed and programmed. VFD have the capability to reduce airflow down to 37.5%. **Products not containing factory mounted VFD controls shall not be acceptable.***

Refrigerant Circuit:

HBH/V Series 60Hz Engineering Specifications – Page 3

All units shall contain an EarthPure® (HFC-410A) sealed refrigerant circuit including a high efficiency scroll compressor designed for heat pump operation, a thermostatic expansion valve for refrigerant metering, an enhanced corrugated aluminum lanced fin and rifled copper tube refrigerant to air heat exchanger, reversing valve, coaxial (tube in tube) refrigerant to water heat exchanger, and safety controls including a high pressure switch, low pressure switch (loss of charge), water coil low temperature sensor, and air coil low temperature sensor. Access fittings shall be factory installed on high and low pressure refrigerant lines to facilitate field service. Activation of any safety device shall prevent compressor operation via a microprocessor lockout circuit. The lockout circuit shall be reset at the thermostat or at the contractor supplied disconnect switch. ***Units that cannot be reset at the thermostat shall not be acceptable.***

The scroll compressors shall have a dual level vibration isolation system. The compressor(s) will be mounted on specially engineered sound-tested EPDM vibration isolation grommets to a large heavy gauge compressor mounting plate, which is then isolated from the cabinet base with rubber grommets for maximized vibration attenuation. Compressor shall have thermal overload protection. Compressor shall be located in an insulated compartment isolated from air stream to minimize sound transmission.

Refrigerant to air heat exchangers shall utilize enhanced corrugated lanced aluminum fins and rifled copper tube construction rated to withstand 625 PSIG (4309 kPa) refrigerant working pressure. Refrigerant to water heat exchangers shall be of copper inner water tube and steel refrigerant outer tube design, rated to withstand 625 PSIG (4309 kPa) working refrigerant pressure and 500 PSIG (3445 kPa) working water pressure. The refrigerant to water heat exchanger shall be “electro-coated” with a low cure cathodic epoxy material a minimum of 0.4 mils thick (0.4 – 1.5 mils range) on all surfaces. The black colored coating shall provide a minimum of 1,000 hours salt spray protection per ASTM B117-97 on all external steel and copper tubing. The material shall be formulated without the inclusion of any heavy metals and shall exhibit a pencil hardness of 2H (ASTM D3363-92A), crosshatch adhesion of 4B-5B (ASTM D3359-95), and impact resistance of 160 in-lbs (184 kg-cm) direct (ASTM D2794-93).

The unit water circuit is protected by two high pressure switches set at 300 PSI [2067 kPa]. Switches will reset automatically when pressure is reduced. ***Units that do not have auto-reset water high pressure switches are not acceptable.***

Refrigerant metering shall be accomplished by thermostatic expansion valve only. Expansion valves shall be dual port balanced type with external equalizer for optimum refrigerant metering. Units shall be designed and tested for operating ranges of entering water temperatures from 20° to 120° F (-6.7° to 48.9° C). Reversing valve shall be four-way solenoid activated refrigerant valve, which shall default to heating mode should the solenoid fail to function. If the reversing valve solenoid defaults to cooling mode, an additional low temperature thermostat must be provided to prevent over-cooling an already cold room.

Option: The unit shall be supplied with cupro-nickel coaxial water to refrigerant heat exchanger.

Option: The unit shall be supplied with extended range insulation option, which adds closed cell insulation to internal water lines, and provides insulation on suction side refrigeration tubing including refrigerant to water heat exchanger.

Option: The refrigerant to air heat exchanger shall be coated.

Option: The unit shall be supplied with Waterside Economizer (WSE). The WSE will consist of hydronic coil,

HBH/V Series 60Hz Engineering Specifications – Page 4

3 way valve, and aquastat. Aquastat will be adjustable type and factory set at 45° F (72° C). Units with WSE will require heat pump thermostat with 2 stages of cooling. (DXM Required.)

Drain Pan:

The drain pan shall be constructed of galvanized steel and have a powder coat paint application to further inhibit corrosion. This corrosion protection system shall meet the stringent 1,000 hour salt spray test per ASTM B117. If plastic type material is used, it must be HDPE (High Density Polyethylene) to avoid thermal cycling shock stress failure over the lifetime of the unit. Drain pan shall be fully insulated. Drain outlet shall be located at pan as to allow unobstructed drainage of condensate. Drain outlet for horizontal units shall be connected from pan directly to 3/4-inch FPT fitting. For vertical units drain pan hose assembly can be connected to either side, drain outlet to be 1-inch FPT fitting. The unit as standard will be supplied with solid-state electronic condensate overflow protection. ***Mechanical float switches will NOT be accepted.***

Option: The unit shall be supplied with stainless steel drain pan.

Electrical:

A control box shall be located within the unit compressor compartment and shall contain a 75 VA transformer with load side circuit breaker protection, 24-volt activated, 2 or 3 pole compressor contactor, terminal block for thermostat wiring and solid-state controller for complete unit operation. Reversing valve and fan motor wiring shall be routed through this electronic controller. Units shall be name-plated for use with time delay fuses or HACR circuit breakers. Unit controls shall be 24-volt and provide heating or cooling as required by the remote thermostat/sensor. Two compressor units shall have a solid-state time delay relay and random start to prevent both compressors from starting simultaneously.

Solid State Control System (CXM):

Units shall have a solid-state control system. ***Units utilizing electro-mechanical control shall not be acceptable.*** The control system microprocessor board shall be specifically designed to protect against building electrical system noise contamination, EMI, and RFI interference. The control system shall interface with a heat pump type thermostat. The control system shall have the following features:

- a. Anti-short cycle time delay on compressor operation.
- b. Random start on power up mode.
- c. Low voltage protection.
- d. High voltage protection.
- e. Unit shutdown on high or low refrigerant pressures.
- f. Unit shutdown on low water temperature.
- g. Condensate overflow electronic protection.
- h. Option to reset unit at thermostat or disconnect.
- i. Automatic intelligent reset. Unit shall automatically reset the unit 5 minutes after trip if the fault has cleared. If a fault occurs 3 times sequentially without thermostat meeting temperature, then lockout requiring manual reset will occur.
- j. Ability to defeat time delays for servicing.
- k. Light emitting diode (LED) on circuit board to indicate high pressure, low pressure, low voltage, high voltage, low water/air temperature cut-out, condensate overflow, and control voltage status.
- l. The low-pressure switch shall not be monitored for the first 120 seconds after a compressor start command to prevent nuisance safety trips.
- m. 24 V output to cycle a motorized water valve or other device with compressor contactor.

HBH/V Series 60Hz Engineering Specifications – Page 5

- n. Unit Performance Sentinel (UPS). The UPS warns when the heat pump is running inefficiently.
- o. Water coil low temperature sensing (selectable for water or anti-freeze).
- p. Air coil low temperature sensing.

NOTE: Units not providing the 8 safety protections of anti-short cycle, low voltage, high voltage, high refrigerant pressure, low pressure (loss of charge), air coil low temperature cut-out, water coil low temperature cut-out, and condensate overflow protections will not be accepted.

Option: Enhanced Solid State Control System (DXM)

This control system features two-stage control of cooling and two-stage control of heating modes for exacting temperature and dehumidification purposes. Control shall have all of the above mentioned features of the CXM control system along with the following expanded features:

- a. Removable thermostat connector.
- b. Night setback control.
- c. Random start on return from night setback.
- d. Minimized reversing valve operation (Unit control logic shall only switch the reversing valve when cooling is demanded for the first time. The reversing valve shall be held in this position until the first call for heating, ensuring quiet operation and increased valve life.).
- e. Override temperature control with 2-hour timer for room occupant to override setback temperature at the thermostat.
- f. Dry contact night setback output for digital night setback thermostats.
- g. Ability to work with heat pump or heat/cool (Y, W) type thermostats.
- h. Ability to work with heat pump thermostats using O or B reversing valve control.
- i. Emergency shutdown contacts.
- j. Boilerless system heat control at low loop water temperature.
- k. Ability to allow up to 3 units to be controlled by one thermostat.
- l. Relay to operate an external damper.
- m. Ability to automatically change fan speed from multi-stage thermostat.
- n. Relay to start system pump.
- o. 75 VA control transformer. Control transformer shall have load side short circuit and overload protection via a built in circuit breaker.

Option: Enhanced Solid State Control System (DXM2)

With the VFD Option the unit will include the DXM2 control board. This control system is a communicating controller, also features two-stage control of cooling and two-stage control of heating modes for exacting temperature and dehumidification purposes.

This control system coupled with a multi-stage thermostat will better dehumidify room air by automatically running the heat pump's fan at lower speed on the first stage of cooling thereby implementing low sensible heat ratio cooling. On the need for higher cooling performance the system will activate the second stage of cooling and automatically switch the fan to the higher speed setting. This system may be further enhanced with a humidistat. **Units not having automatic low sensible heat ration cooling will not be accepted; as an alternate a hot gas reheat coil may be provided with control system for automatic revision.**

This controller shall have sensors to monitor entering water, leaving water, supply air, and compressor discharge line temperatures. Temperatures can be read by using service tool or communicating thermostat.

HBH/V Series 60Hz Engineering Specifications – Page 6

Control shall have all of the above mentioned features of the CXM control system along with the following expanded features:

- a. Removable thermostat connector.
- b. Night setback control.
- c. Random start on return from night setback.
- d. Minimized reversing valve operation (Unit control logic shall only switch the reversing valve when cooling is demanded for the first time. The reversing valve shall be held in this position until the first call for heating, ensuring quiet operation and increased valve life.).
- e. Override temperature control with 2-hour timer for room occupant to override setback temperature at the thermostat.
- f. Dry contact night setback output for digital night setback thermostats.
- g. Ability to work with heat pump or heat/cool (Y, W) type thermostats.
- h. Ability to work with heat pump thermostats using O or B reversing valve control.
- i. Emergency shutdown contacts.
- j. Boilerless system heat control at low loop water temperature.
- k. Ability to allow up to 3 units to be controlled by one thermostat.
- l. Relay to operate an external damper.
- m. Ability to automatically change fan speed from multi-stage thermostat.
- n. Relay to start system pump.
- o. 75 VA control transformer. Control transformer shall have load side short circuit and overload protection via a built in circuit breaker.
- p. Entering water temperature sensing.
- q. Leaving water temperature sensing.
- r. Leaving air temperature sensing.
- s. Discharge line air temperature sensing.

NOTE: Units not providing the 8 safety protections of anti-short cycle, low voltage, high voltage, high refrigerant pressure, low pressure (loss of charge), air coil low temperature cut-out, water coil low temperature cut-out, and condensate overflow protections will not be accepted.

When DXM2 is connected to either ACDU service tool or ATC32U thermostat the installer/technician can; check and set CFM; check DIP switch S1, S2, and S3 settings; run operation modes manually; check all physical inputs from thermostat and refrigerant pressure switches status, (Y1, Y2, W, O, G, H, ESD, NSB OR, HP switch, and LOC switch); current or at time of fault the following temperatures -LT1, LT2, compressor discharge, leaving air, leaving water, entering water and control voltage; record last five faults, list possible reasons, and clear faults.

Remote Service Sentinel (CXM/DXM):

Solid state control system shall communicate with thermostat to display (at the thermostat) the unit status, fault status, and specific fault condition, as well as retrieve previously stored fault that caused unit shutdown. The Remote Service Sentinel allows building maintenance personnel or service personnel to diagnose unit from the wall thermostat. The control board shall provide a signal to the thermostat fault light, indicating a lockout. Upon cycling the G (fan) input 3 times within a 60 second time period, the fault light shall display the specific code as indicated by a sequence of flashes. A detailed flashing code shall be provided at the thermostat LED to display unit status and specific fault status such as over/under voltage fault, high pressure fault, low pressure fault, low

HBH/V Series 60Hz Engineering Specifications – Page 7

water temperature fault, condensate overflow fault, etc. *Units that do not provide this remote service sentinel shall not be acceptable.*

Option: Lonworks Interface System

Units shall have all the features listed above (either CXM or DXM) and the control board will be supplied with a LONWORKS interface board, which is LONMark certified. This will permit all units to be daisy chained via a 2-wire twisted pair shielded cable. The following points must be available at a central or remote computer location:

- a. Space temperature
- b. Leaving water temperature
- c. Discharge air temperature
- d. Command of space temperature setpoint
- e. Cooling status
- f. Heating status
- g. Low temperature sensor alarm
- h. Low pressure sensor alarm
- i. High pressure switch alarm
- j. Condensate sensor alarm
- k. Hi/low voltage alarm
- l. Fan “ON/AUTO” position of space thermostat as specified above
- m. Unoccupied/occupied command
- n. Cooling command
- o. Heating command
- p. Fan “ON/AUTO” command
- q. Fault reset command
- r. Itemized fault code revealing reason for specific shutdown fault (any one of 7)

This option also provides the upgraded 75 VA control transformer with load side short circuit and overload protection via a built in circuit breaker.

Option: MPC (Multiple Protocol Control) Interface System

Units shall have all the features listed above (either CXM or DXM) and the control board will be supplied with a Multiple Protocol interface board. Available protocols are BACnet MS/TP, Modbus, or Johnson Controls N2. The choice of protocol shall be field selectable/changeable via the use of a simple selector switch. Protocol selection shall not require any additional programming or special external hardware or software tools. This will permit all units to be daisy chain connected by a 2-wire twisted pair shielded cable. The following points must be available at a central or remote computer location:

- a. Space temperature
- b. Leaving water temperature
- c. Discharge air temperature
- d. Command of space temperature setpoint
- e. Cooling status
- f. Heating status
- g. Low temperature sensor alarm

HBH/V Series 60Hz Engineering Specifications – Page 8

- h. Low pressure sensor alarm
- i. High pressure switch alarm
- j. Condensate overflow alarm
- k. Hi/low voltage alarm
- l. Fan “ON/AUTO” position of space thermostat as specified above
- m. Unoccupied/occupied command
- n. Cooling command
- o. Heating command
- p. Fan “ON/AUTO” command
- q. Fault reset command
- r. Itemized fault code revealing reason for specific shutdown fault (any one of 7)

This option also provides the upgraded 75 VA control transformer with load side short circuit and overload protection via a built in circuit breaker.

FIELD INSTALLED OPTIONS

Hose Kits:

All units 120,000 BTUH (35 kW) and below shall be connected with hoses. The hoses shall be 2-feet (61 cm) long, braided stainless steel; fire rated hoses complete with adapters. ***Only fire rated hoses will be accepted.***

Valves:

The following valves are available and will be shipped loose:

- a. Ball valve; bronze material, standard port full flow design, FPT connections.
- b. Ball valve with memory stop and PT port.
- c. “Y” strainer with blowdown valve; bronze material, FPT connections.
- d. Motorized water valve; slow acting, 24-volt, FPT connections.

Hose Kit Assemblies:

The following assemblies ship with the valves already assembled to the hose described:

- a. Supply and return hoses having ball valve with PT port.
- b. Supply hose having ball valve with PT port; return hose having automatic flow regulator valve with PT ports, and ball valve.
- c. Supply hose having “Y” strainer with blowdown valve, and ball valve with PT port; return hose having automatic flow regulator with PT ports, and ball valve.
- d. Supply hose having “Y” strainer with blowdown valve, and ball valve with PT port; return hose having ball valve with PT port.

Thermostats:

The thermostat shall be a Comfort-Aire/Century mechanical or electronic type thermostat as selected below with the described features:

- a. Single-Stage Digital Auto or Manual Changeover (ATA11U01)
Thermostat shall be a single-stage, digital, auto or manual changeover with HEAT-OFF-COOL-AUTO system switch and fan ON-AUTO switch. Thermostat shall have an LCD display with temperature and setpoint(s) in

HBH/V Series 60Hz Engineering Specifications – Page 9

°F or °C. The thermostat shall provide permanent memory of setpoint(s) without batteries. A fault LED shall be provided to display specific fault condition. Thermostat shall provide temperature display offset for custom applications.

b. Multi-stage Digital Automatic Changeover (ATA22U01)

Thermostat shall be multi-stage (2H/2C), manual or automatic changeover with HEAT-OFF-COOL-AUTO-EM HEAT system settings and fan ON-AUTO settings. Thermostat shall have an LCD display with temperature, setpoint(s), mode, and status indication. The temperature indication shall be selectable for °F or °C. The thermostat shall provide permanent memory of setpoint(s) without batteries. A fault LED shall be provided to indicate specific fault condition(s). Thermostat shall provide temperature display offset for custom applications. Thermostat shall allow unit to provide better dehumidification with optional DXM controller by automatically using lower fan speed on stage 1 cooling (higher latent cooling) as main cooling mode, and automatically shifting to high speed fan on stage 2 cooling.

c. Multi-stage Manual Changeover Programmable 5/2 Day (ATP21U01)

Thermostat shall be 5 day/2 day programmable (with up to 4 setpoints per day), multi-stage (2H/1C), manual changeover with HEAT-OFF-COOL-EM HEAT system settings and fan ON-AUTO settings. Thermostat shall have an LCD display with temperature, setpoint(s), mode, and status indication. The temperature indication shall be selectable for °F or °C. The thermostat shall provide permanent memory of setpoint(s) without batteries. Thermostat shall provide convenient override feature to temporarily change setpoint.

d. Multi-stage Automatic or Manual Changeover Programmable 7 Day (ATP32U03C)

Thermostat shall be 7 day programmable (with up to 4 setpoints per day), multi-stage (3H/2C), automatic or manual changeover with HEAT-OFF-COOL-AUTO-EM HEAT system settings and fan ON-AUTO settings. Thermostat shall have a blue backlit dot matrix LCD display with temperature, setpoints, mode, and status indication. The temperature indication shall be selectable for °F or °C. Time display shall be selectable for 12 or 24-hour clock. Fault identification shall be provided (when used with Comfort-Aire/Century CXM or DXM controls) to simplify troubleshooting by providing specific unit fault at the thermostat with red backlit LCD during unit lockout. The thermostat shall provide permanent memory of setpoints without batteries. Thermostat shall provide heating setpoint range limit, cooling setpoint range limit, temperature display offset, keypad lockout, dead-band range setting, and inter-stage differential settings. Thermostat shall provide progressive recovery to anticipate time required to bring space temperature to the next programmed event. Thermostat shall provide an installer setup for configuring options and for setup of servicing contractor name and contact information. Thermostat shall allow the use of an accessory remote and/or outdoor temperature sensor (AST008). Thermostat navigation shall be accomplished via five buttons (up/down/right/left/select) with menu-driven selections for ease of use and programming.

e. Multi-stage Automatic or Manual Changeover Programmable 7 Day with Humidity Control (ATP32U04C)

Thermostat shall be 7 day programmable (with up to 4 setpoints per day), multi-stage (3H/2C), automatic or manual changeover with HEAT-OFF-COOL-AUTO-EM HEAT system settings and fan ON-AUTO settings. Separate dehumidification and humidification setpoints shall be configurable for discreet outputs to a dehumidification option and/or an external humidifier. Installer configuration mode shall allow thermostat dehumidification mode to operate with ClimaDry reheat or with ECM fan dehumidification mode via settings changes. Thermostat shall have a blue backlit dot matrix LCD display with temperature, relative humidity, setpoints, mode, and status indication. The temperature indication shall be selectable for °F or °C. Time display shall be selectable for 12 or 24-hour clock. Fault

HBH/V Series 60Hz Engineering Specifications – Page 10

identification shall be provided (when used with Comfort-Aire/Century CXM or DXM controls) to simplify troubleshooting by providing specific unit fault at the thermostat with red backlit LCD during unit lockout. The thermostat shall provide permanent memory of setpoints without batteries. Thermostat shall provide heating setpoint range limit, cooling setpoint range limit, temperature display offset, keypad lockout, dead-band range setting, and inter-stage differential settings. Thermostat shall provide progressive recovery to anticipate time required to bring space temperature to the next programmed event. Thermostat shall provide an installer setup for configuring options and for setup of servicing contractor name and contact information. Thermostat shall allow the use of an accessory remote and/or outdoor temperature sensor (AST008). Thermostat navigation shall be accomplished via five buttons (up/down/right/left/select) with menu-driven selections for ease of use and programming.

DDC Sensors:

Comfort-Aire/Century wall mounted DDC sensor to monitor room temperature and interfaces with optional interface system described above. Several types as described below:

- a. Sensor only with no display (LON and MPC).
- b. Sensor with override (LON only).
- c. Sensor with setpoint adjustment and override (MPC only).
- d. Sensor with setpoint adjustment and override, LCD display, status/fault indication (LON and MPC).

Revision History

Date:	Item:	Action:
9/18/19	Pages 88-97	Update Engineering Specs with DXM2
	Pages 18-31	Updated columns to one decimal place
	Page 8	New Decoder???
	Page 4	Updated Available Options area
8/12/19	All	Added VFD fan motor controls and DXM2 options
04/26/19	All	Misc. edits, add sound data
03/05/19	Page 35	Update Dimension on S and V
05/3/18	Pages 55, 56	Text update
05/16/17	Pages 38,41,42,43	Update 'A' dimensions
5/27/17	All	Updated dimensional and wiring diagram pages
1/13/17	All	Updated HBV filter frame description
11/1/16	Document Design Update	Updated
06/22/16	All	Update Cabinet Description and Photo
4/5/16	Page 31	Update standard motor HP for 096
03/8/16	Page 42	Edit Engineering specs
02/10/15	Physical Data Table	Updated Filter Sizes
09/30/14	Physical Data Table - Large Motor; Text Edit - Page 44	Added/Updated
05/05/14	Physical Data Table - Page 29 & 31, Engineering Specifications - Page 44	Updated
03/24/14	Dimensional Data Table - Page 33 & 34	Corrected Depth, Width designation
02/07/14	Dimensional Data Table - Page 30	Corrected Depth, Width designation
09/30/13	Edit Text - Page 44	Updated
09/18/13	Updated Electrical Tables - Pages 35 & 36	Updated
02/06/13	Engineering Specifications	Updated
11/28/12	HBV 072-120 Dimensional Data	Updated
06/12/12	Engineering Specifications	Updated
04/26/12	Engineering Specifications	Updated
04/17/12	HBV Physical Data	Updated
04/13/12	All Pages	Added HBV sizes 160-300
04/02/12	Engineering Specifications	Updated
02/16/12	Dimensional Data Engineering Specifications	Updated
02/09/12	HB Physical Data Table	Updated
10/07/11	Dimensional Data Physical Data Table	Corrected S/R and drain diameters Corrected HBV drain diameter
08/09/11	Unit Maximum Working Water Pressure	Updated to Reflect New Safeties
08/03/11	Engineering Specifications	Added Digital Night Setback with Pump Restart (DXM w/ ATP32U03/04)
06/29/11	All Pages	Added HBV072-120
06/09/11	Engineering Specifications	Updated
04/07/11	Engineering Specification NOTICE	Updated
02/11/11	Performance Data Selection Notes	Updated

Notes

Due to ongoing product improvements, specifications and dimensions are subject to change and correction without notice or incurring obligations. Determining the application and suitability for use of any product is the responsibility of the installer. Additionally, the installer is responsible for verifying dimensional data on the actual product prior to beginning any installation preparations.

Incentive and rebate programs have precise requirements as to product performance and certification. All products meet applicable regulations in effect on date of manufacture; however, certifications are not necessarily granted for the life of a product. Therefore, it is the responsibility of the applicant to determine whether a specific model qualifies for these incentive/rebate programs.



1900 Wellworth Ave., Jackson, MI 49203 • Ph. 517-787-2100 • www.marsdelivers.com

